

1. ONE HOUR SHAFT WALL
UL DESIGN #1068
SIC-147

2. TWO HOUR SHAFT WALL
UL DESIGN #1068
SIC-147

3. TWO HOUR SHAFT WALL
UL DESIGN #1068
SIC-147

4. CONTINUOUS PERIMETER SEALANT
TOP AND BOTTOM

5. CONTINUOUS PERIMETER SEALANT
TOP AND BOTTOM

6. ONE HOUR FIRE RATED
UL DESIGN #1068
SIC-147

7. NON-FIRE RATED
UL DESIGN #1068
SIC-147

8. TWO HOUR FIRE RATED
UL DESIGN #1068
SIC-147

9. ONE HOUR FIRE RATED
UL DESIGN #1068
SIC-147

10. CONTINUOUS PERIMETER SEALANT
TOP AND BOTTOM

11. CONTINUOUS PERIMETER SEALANT
TOP AND BOTTOM

12. CONTINUOUS PERIMETER SEALANT
TOP AND BOTTOM

13. CONTINUOUS PERIMETER SEALANT
TOP AND BOTTOM

14. CONTINUOUS PERIMETER SEALANT
TOP AND BOTTOM

15. CONTINUOUS PERIMETER SEALANT
TOP AND BOTTOM

16. CONTINUOUS PERIMETER SEALANT
TOP AND BOTTOM

17. CONTINUOUS PERIMETER SEALANT
TOP AND BOTTOM

18. CONTINUOUS PERIMETER SEALANT
TOP AND BOTTOM

19. CONTINUOUS PERIMETER SEALANT
TOP AND BOTTOM

20. CONTINUOUS PERIMETER SEALANT
TOP AND BOTTOM

21. CONTINUOUS PERIMETER SEALANT
TOP AND BOTTOM

22. CONTINUOUS PERIMETER SEALANT
TOP AND BOTTOM

23. CONTINUOUS PERIMETER SEALANT
TOP AND BOTTOM

24. CONTINUOUS PERIMETER SEALANT
TOP AND BOTTOM

25. CONTINUOUS PERIMETER SEALANT
TOP AND BOTTOM

26. CONTINUOUS PERIMETER SEALANT
TOP AND BOTTOM

27. CONTINUOUS PERIMETER SEALANT
TOP AND BOTTOM

28. CONTINUOUS PERIMETER SEALANT
TOP AND BOTTOM

29. CONTINUOUS PERIMETER SEALANT
TOP AND BOTTOM

30. CONTINUOUS PERIMETER SEALANT
TOP AND BOTTOM

31. CONTINUOUS PERIMETER SEALANT
TOP AND BOTTOM

32. CONTINUOUS PERIMETER SEALANT
TOP AND BOTTOM

33. CONTINUOUS PERIMETER SEALANT
TOP AND BOTTOM

34. CONTINUOUS PERIMETER SEALANT
TOP AND BOTTOM

35. CONTINUOUS PERIMETER SEALANT
TOP AND BOTTOM

36. CONTINUOUS PERIMETER SEALANT
TOP AND BOTTOM

37. CONTINUOUS PERIMETER SEALANT
TOP AND BOTTOM

38. CONTINUOUS PERIMETER SEALANT
TOP AND BOTTOM

39. CONTINUOUS PERIMETER SEALANT
TOP AND BOTTOM

40. CONTINUOUS PERIMETER SEALANT
TOP AND BOTTOM

41. CONTINUOUS PERIMETER SEALANT
TOP AND BOTTOM

42. CONTINUOUS PERIMETER SEALANT
TOP AND BOTTOM

43. CONTINUOUS PERIMETER SEALANT
TOP AND BOTTOM

44. CONTINUOUS PERIMETER SEALANT
TOP AND BOTTOM

45. CONTINUOUS PERIMETER SEALANT
TOP AND BOTTOM

46. CONTINUOUS PERIMETER SEALANT
TOP AND BOTTOM

47. CONTINUOUS PERIMETER SEALANT
TOP AND BOTTOM

48. CONTINUOUS PERIMETER SEALANT
TOP AND BOTTOM

49. CONTINUOUS PERIMETER SEALANT
TOP AND BOTTOM

50. CONTINUOUS PERIMETER SEALANT
TOP AND BOTTOM

51. CONTINUOUS PERIMETER SEALANT
TOP AND BOTTOM

52. CONTINUOUS PERIMETER SEALANT
TOP AND BOTTOM

53. CONTINUOUS PERIMETER SEALANT
TOP AND BOTTOM

54. CONTINUOUS PERIMETER SEALANT
TOP AND BOTTOM

55. CONTINUOUS PERIMETER SEALANT
TOP AND BOTTOM

56. CONTINUOUS PERIMETER SEALANT
TOP AND BOTTOM

57. CONTINUOUS PERIMETER SEALANT
TOP AND BOTTOM

58. CONTINUOUS PERIMETER SEALANT
TOP AND BOTTOM

59. CONTINUOUS PERIMETER SEALANT
TOP AND BOTTOM

60. CONTINUOUS PERIMETER SEALANT
TOP AND BOTTOM

61. CONTINUOUS PERIMETER SEALANT
TOP AND BOTTOM

62. CONTINUOUS PERIMETER SEALANT
TOP AND BOTTOM

63. CONTINUOUS PERIMETER SEALANT
TOP AND BOTTOM

64. CONTINUOUS PERIMETER SEALANT
TOP AND BOTTOM

65. CONTINUOUS PERIMETER SEALANT
TOP AND BOTTOM

66. CONTINUOUS PERIMETER SEALANT
TOP AND BOTTOM

67. CONTINUOUS PERIMETER SEALANT
TOP AND BOTTOM

68. CONTINUOUS PERIMETER SEALANT
TOP AND BOTTOM

69. CONTINUOUS PERIMETER SEALANT
TOP AND BOTTOM

70. CONTINUOUS PERIMETER SEALANT
TOP AND BOTTOM

71. CONTINUOUS PERIMETER SEALANT
TOP AND BOTTOM

72. CONTINUOUS PERIMETER SEALANT
TOP AND BOTTOM

73. CONTINUOUS PERIMETER SEALANT
TOP AND BOTTOM

74. CONTINUOUS PERIMETER SEALANT
TOP AND BOTTOM

75. CONTINUOUS PERIMETER SEALANT
TOP AND BOTTOM

76. CONTINUOUS PERIMETER SEALANT
TOP AND BOTTOM

77. CONTINUOUS PERIMETER SEALANT
TOP AND BOTTOM

78. CONTINUOUS PERIMETER SEALANT
TOP AND BOTTOM

79. CONTINUOUS PERIMETER SEALANT
TOP AND BOTTOM

80. CONTINUOUS PERIMETER SEALANT
TOP AND BOTTOM

81. CONTINUOUS PERIMETER SEALANT
TOP AND BOTTOM

82. CONTINUOUS PERIMETER SEALANT
TOP AND BOTTOM

83. CONTINUOUS PERIMETER SEALANT
TOP AND BOTTOM

84. CONTINUOUS PERIMETER SEALANT
TOP AND BOTTOM

85. CONTINUOUS PERIMETER SEALANT
TOP AND BOTTOM

86. CONTINUOUS PERIMETER SEALANT
TOP AND BOTTOM

87. CONTINUOUS PERIMETER SEALANT
TOP AND BOTTOM

88. CONTINUOUS PERIMETER SEALANT
TOP AND BOTTOM

89. CONTINUOUS PERIMETER SEALANT
TOP AND BOTTOM

90. CONTINUOUS PERIMETER SEALANT
TOP AND BOTTOM

91. CONTINUOUS PERIMETER SEALANT
TOP AND BOTTOM

92. CONTINUOUS PERIMETER SEALANT
TOP AND BOTTOM

93. CONTINUOUS PERIMETER SEALANT
TOP AND BOTTOM

94. CONTINUOUS PERIMETER SEALANT
TOP AND BOTTOM

95. CONTINUOUS PERIMETER SEALANT
TOP AND BOTTOM

96. CONTINUOUS PERIMETER SEALANT
TOP AND BOTTOM

97. CONTINUOUS PERIMETER SEALANT
TOP AND BOTTOM

98. CONTINUOUS PERIMETER SEALANT
TOP AND BOTTOM

99. CONTINUOUS PERIMETER SEALANT
TOP AND BOTTOM

100. CONTINUOUS PERIMETER SEALANT
TOP AND BOTTOM

1. WINDOW HEAD (JAMB SIM.)
3" = 1'-0"

2. WINDOW SILL DETAIL @ VINYL SIDING
(JAMB SIM.)
3" = 1'-0"

3. WINDOW HEAD (JAMB SIM.)
3" = 1'-0"

4. INTERIOR WINDOW HEAD (JAMB SIM.)
3" = 1'-0"

1. WINDOW HEAD (JAMB SIM.)
3" = 1'-0"

2. WINDOW SILL DETAIL @ VINYL SIDING
(JAMB SIM.)
3" = 1'-0"

3. WINDOW HEAD (JAMB SIM.)
3" = 1'-0"

4. INTERIOR WINDOW HEAD (JAMB SIM.)
3" = 1'-0"

1. WINDOW HEAD (JAMB SIM.)
3" = 1'-0"

2. WINDOW SILL DETAIL @ VINYL SIDING
(JAMB SIM.)
3" = 1'-0"

3. WINDOW HEAD (JAMB SIM.)
3" = 1'-0"

4. INTERIOR WINDOW HEAD (JAMB SIM.)
3" = 1'-0"

1. WINDOW HEAD (JAMB SIM.)
3" = 1'-0"

2. WINDOW SILL DETAIL @ VINYL SIDING
(JAMB SIM.)
3" = 1'-0"

3. WINDOW HEAD (JAMB SIM.)
3" = 1'-0"

4. INTERIOR WINDOW HEAD (JAMB SIM.)
3" = 1'-0"

1. WINDOW HEAD (JAMB SIM.)
3" = 1'-0"

2. WINDOW SILL DETAIL @ VINYL SIDING
(JAMB SIM.)
3" = 1'-0"

3. WINDOW HEAD (JAMB SIM.)
3" = 1'-0"

4. INTERIOR WINDOW HEAD (JAMB SIM.)
3" = 1'-0"

1. WINDOW HEAD (JAMB SIM.)
3" = 1'-0"

2. WINDOW SILL DETAIL @ VINYL SIDING
(JAMB SIM.)
3" = 1'-0"

3. WINDOW HEAD (JAMB SIM.)
3" = 1'-0"

4. INTERIOR WINDOW HEAD (JAMB SIM.)
3" = 1'-0"

1. WINDOW HEAD (JAMB SIM.)
3" = 1'-0"

2. WINDOW SILL DETAIL @ VINYL SIDING
(JAMB SIM.)
3" = 1'-0"

3. WINDOW HEAD (JAMB SIM.)
3" = 1'-0"

4. INTERIOR WINDOW HEAD (JAMB SIM.)
3" = 1'-0"

1. WINDOW HEAD (JAMB SIM.)
3" = 1'-0"

2. WINDOW SILL DETAIL @ VINYL SIDING
(JAMB SIM.)
3" = 1'-0"

3. WINDOW HEAD (JAMB SIM.)
3" = 1'-0"

4. INTERIOR WINDOW HEAD (JAMB SIM.)
3" = 1'-0"

1. WINDOW HEAD (JAMB SIM.)
3" = 1'-0"

2. WINDOW SILL DETAIL @ VINYL SIDING
(JAMB SIM.)
3" = 1'-0"

3. WINDOW HEAD (JAMB SIM.)
3" = 1'-0"

4. INTERIOR WINDOW HEAD (JAMB SIM.)
3" = 1'-0"

1. WINDOW HEAD (JAMB SIM.)
3" = 1'-0"

2. WINDOW SILL DETAIL @ VINYL SIDING
(JAMB SIM.)
3" = 1'-0"

3. WINDOW HEAD (JAMB SIM.)
3" = 1'-0"

4. INTERIOR WINDOW HEAD (JAMB SIM.)
3" = 1'-0"

1. WINDOW HEAD (JAMB SIM.)
3" = 1'-0"

2. WINDOW SILL DETAIL @ VINYL SIDING
(JAMB SIM.)
3" = 1'-0"

3. WINDOW HEAD (JAMB SIM.)
3" = 1'-0"

4. INTERIOR WINDOW HEAD (JAMB SIM.)
3" = 1'-0"

1. WINDOW HEAD (JAMB SIM.)
3" = 1'-0"

2. WINDOW SILL DETAIL @ VINYL SIDING
(JAMB SIM.)
3" = 1'-0"

3. WINDOW HEAD (JAMB SIM.)
3" = 1'-0"

4. INTERIOR WINDOW HEAD (JAMB SIM.)
3" = 1'-0"

1. WINDOW HEAD (JAMB SIM.)
3" = 1'-0"

2. WINDOW SILL DETAIL @ VINYL SIDING
(JAMB SIM.)
3" = 1'-0"

3. WINDOW HEAD (JAMB SIM.)
3" = 1'-0"

4. INTERIOR WINDOW HEAD (JAMB SIM.)
3" = 1'-0"

1. WINDOW HEAD (JAMB SIM.)
3" = 1'-0"

2. WINDOW SILL DETAIL @ VINYL SIDING
(JAMB SIM.)
3" = 1'-0"

3. WINDOW HEAD (JAMB SIM.)
3" = 1'-0"

4. INTERIOR WINDOW HEAD (JAMB SIM.)
3" = 1'-0"

1. WINDOW HEAD (JAMB SIM.)
3" = 1'-0"

2. WINDOW SILL DETAIL @ VINYL SIDING
(JAMB SIM.)
3" = 1'-0"

3. WINDOW HEAD (JAMB SIM.)
3" = 1'-0"

4. INTERIOR WINDOW HEAD (JAMB SIM.)
3" = 1'-0"

1. WINDOW HEAD (JAMB SIM.)
3" = 1'-0"

2. WINDOW SILL DETAIL @ VINYL SIDING
(JAMB SIM.)
3" = 1'-0"

3. WINDOW HEAD (JAMB SIM.)
3" = 1'-0"

4. INTERIOR WINDOW HEAD (JAMB SIM.)
3" = 1'-0"

1. WINDOW HEAD (JAMB SIM.)
3" = 1'-0"

2. WINDOW SILL DETAIL @ VINYL SIDING
(JAMB SIM.)
3" = 1'-0"

3. WINDOW HEAD (JAMB SIM.)
3" = 1'-0"

4. INTERIOR WINDOW HEAD (JAMB SIM.)
3" = 1'-0"

1. WINDOW HEAD (JAMB SIM.)
3" = 1'-0"

2. WINDOW SILL DETAIL @ VINYL SIDING
(JAMB SIM.)
3" = 1'-0"

3. WINDOW HEAD (JAMB SIM.)
3" = 1'-0"

4. INTERIOR WINDOW HEAD (JAMB SIM.)
3" = 1'-0"

1. WINDOW HEAD (JAMB SIM.)
3" = 1'-0"

2. WINDOW SILL DETAIL @ VINYL SIDING
(JAMB SIM.)
3" = 1'-0"

3. WINDOW HEAD (JAMB SIM.)
3" = 1'-0"

4. INTERIOR WINDOW HEAD (JAMB SIM.)
3" = 1'-0"

1. WINDOW HEAD (JAMB SIM.)
3" = 1'-0"

2. WINDOW SILL DETAIL @ VINYL SIDING
(JAMB SIM.)
3" = 1'-0"

3. WINDOW HEAD (JAMB SIM.)
3" = 1'-0"

4. INTERIOR WINDOW HEAD (JAMB SIM.)
3" = 1'-0"

1. WINDOW HEAD (JAMB SIM.)
3" = 1'-0"

2. WINDOW SILL DETAIL @ VINYL SIDING
(JAMB SIM.)
3" = 1'-0"

3. WINDOW HEAD (JAMB SIM.)
3" = 1'-0"

4. INTERIOR WINDOW HEAD (JAMB SIM.)
3" = 1'-0"

1. WINDOW HEAD (JAMB SIM.)
3" = 1'-0"

2. WINDOW SILL DETAIL @ VINYL SIDING
(JAMB SIM.)
3" = 1'-0"

3. WINDOW HEAD (JAMB SIM.)
3" = 1'-0"

4. INTERIOR WINDOW HEAD (JAMB SIM.)
3" = 1'-0"

1. WINDOW HEAD (JAMB SIM.)
3" = 1'-0"

2. WINDOW SILL DETAIL @ VINYL SIDING
(JAMB SIM.)
3" = 1'-0"

3. WINDOW HEAD (JAMB SIM.)
3" = 1'-0"

4. INTERIOR WINDOW HEAD (JAMB SIM.)
3" = 1'-0"

Revisions	No.	Date

Project:
**PEAKS ISLAND V.O.A.
SENIOR FACILITY
H.U.D. Project # 024-EE058**
Central Avenue
Peaks Island, Maine

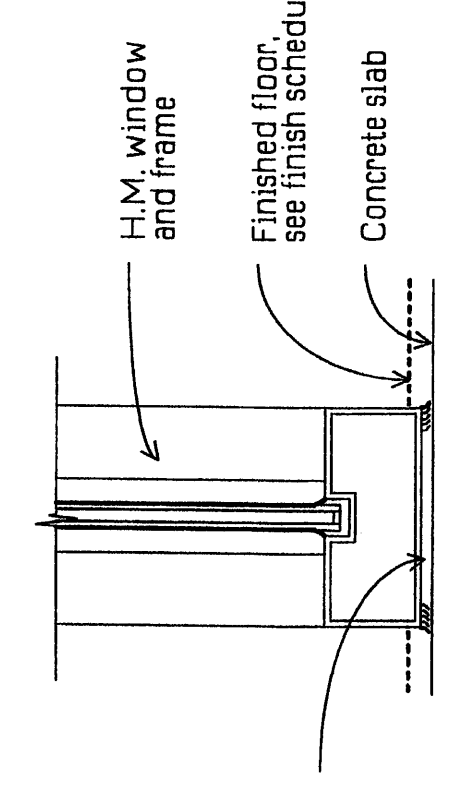
Drawing Title:
**PARTITION TYPES
&
WINDOW ELEVATIONS
AND DETAILS**

Isomides Associates
Architects and Planners
380 Elm Street
Newton Upper Falls, MA 02464
(617) 552-4774
Fax: (617) 552-4755

STATE OF MAINE
Professional Seal
Name: [Signature]
Title: [Signature]
No. 531
Date: 02/22/04
AS NOTED

A-203

WINDOW NOTES:
1. Provide Mullions between the glass in the indicated pattern.
2. Provide true divided lites in all first floor windows, except at H.M. locations.
3. All dimensions given are actual unit size dimensions.



7 Interior H.M. Windw. Sill
Scale: 3"=1'-0"

6 Open

3 Open

PARTITION TYPE NOTES:
1. Provide Moisture Resistant G.W.B. at walls and ceilings of toilet rooms with bathing fixtures.
2. At tub/shower units next to fire rated partitions: provide fire rated G.W.B. for full height of partition per partition type, behind tub/shower unit. Provide additional G.W.B. over tub/shower flange.