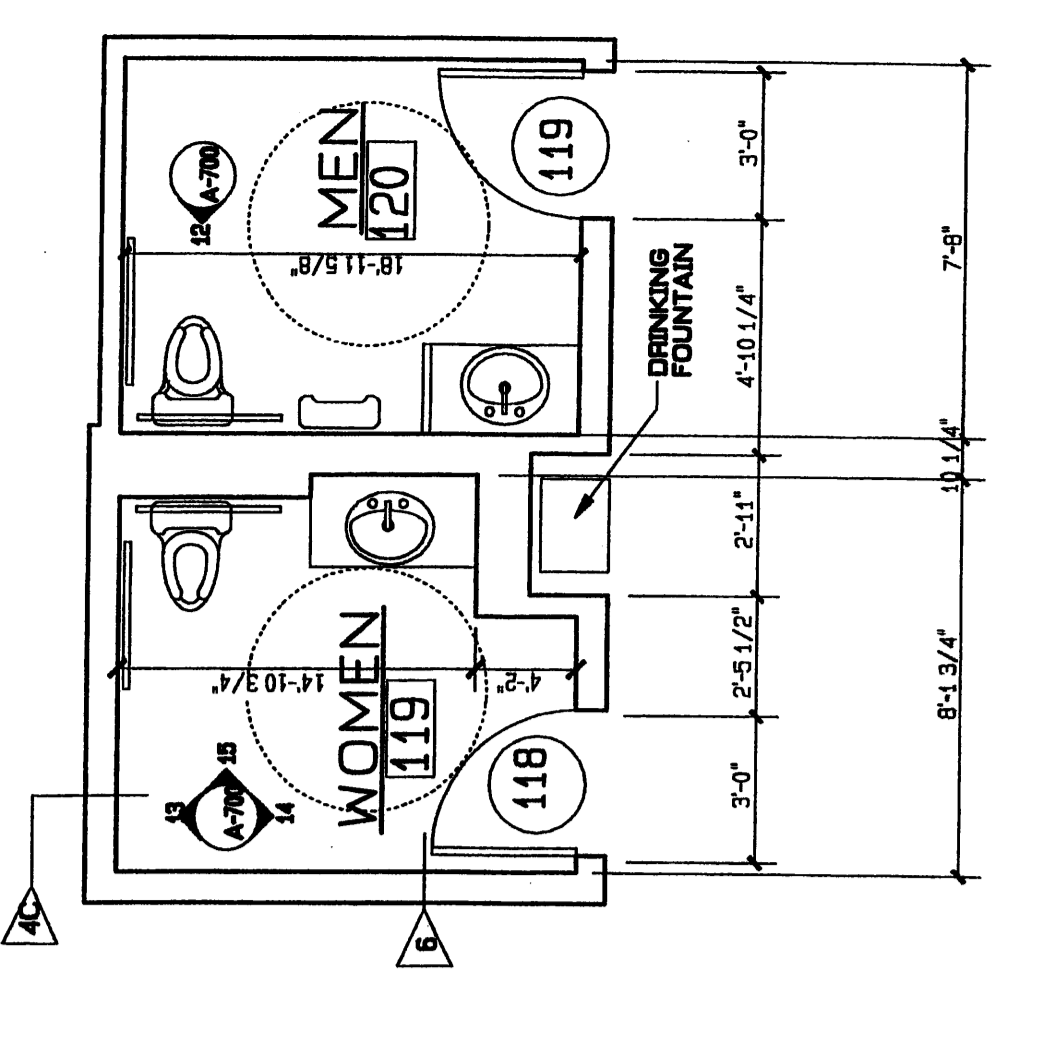
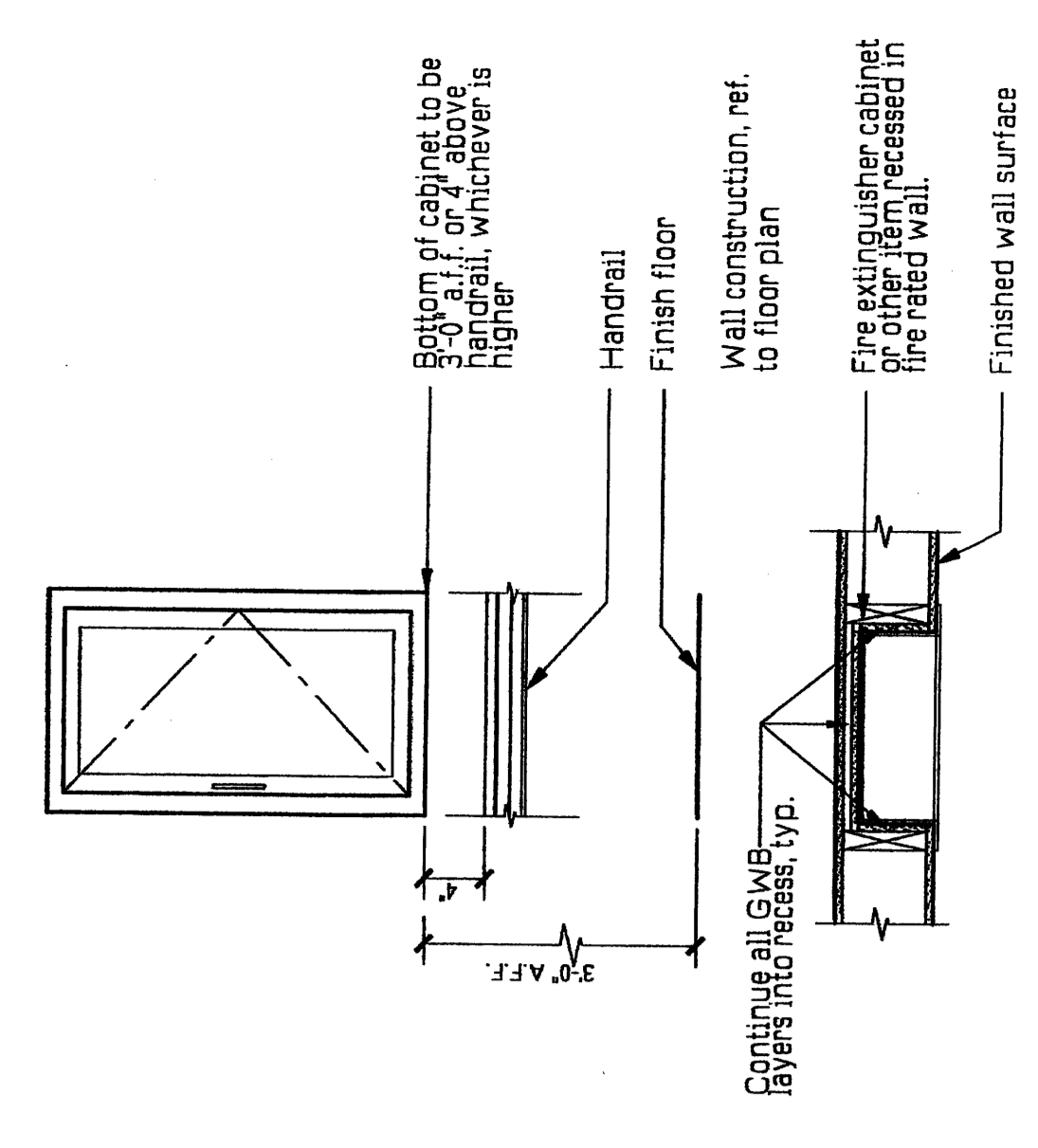


1 FIRST FLOOR PLAN (11 1 BRM UNITS 1 MANAGERS'S UNIT)
SCALE 1/8" = 1'-0"



2 ENLARGED TOILET PLAN
SCALE 1/4" = 1'-0"



3 FIRE EXTINGUISHER DETAIL/WALL RECESS DETAIL
Scale: 1" = 1'-0" Plan sim. for all recessed items 1020

REVISIONS	No.	Date

Project: PEAKS ISLAND V.O.A.
SENIOR HOUSING FACILITY
& HEALTH CENTER
H.U.D. Project # 024-EE058
Central Avenue
Peaks Island, Maine

Drawing Title: FIRST FLOOR PLAN

Tsomides Associates Architects Planners
Echo Bridge Office Park
385 Elliot Street
Newton Upper Falls, MA 02464
617 965-4774
Fax 617 965-4765
WWW.TSOMIDES.COM

DRAWN BY: MWF, JLD, DP
DATE: 02/28/04
SCALE: 1/8" = 1'-0" (AS NOTED)
DRAWING NUMBER: A-200

