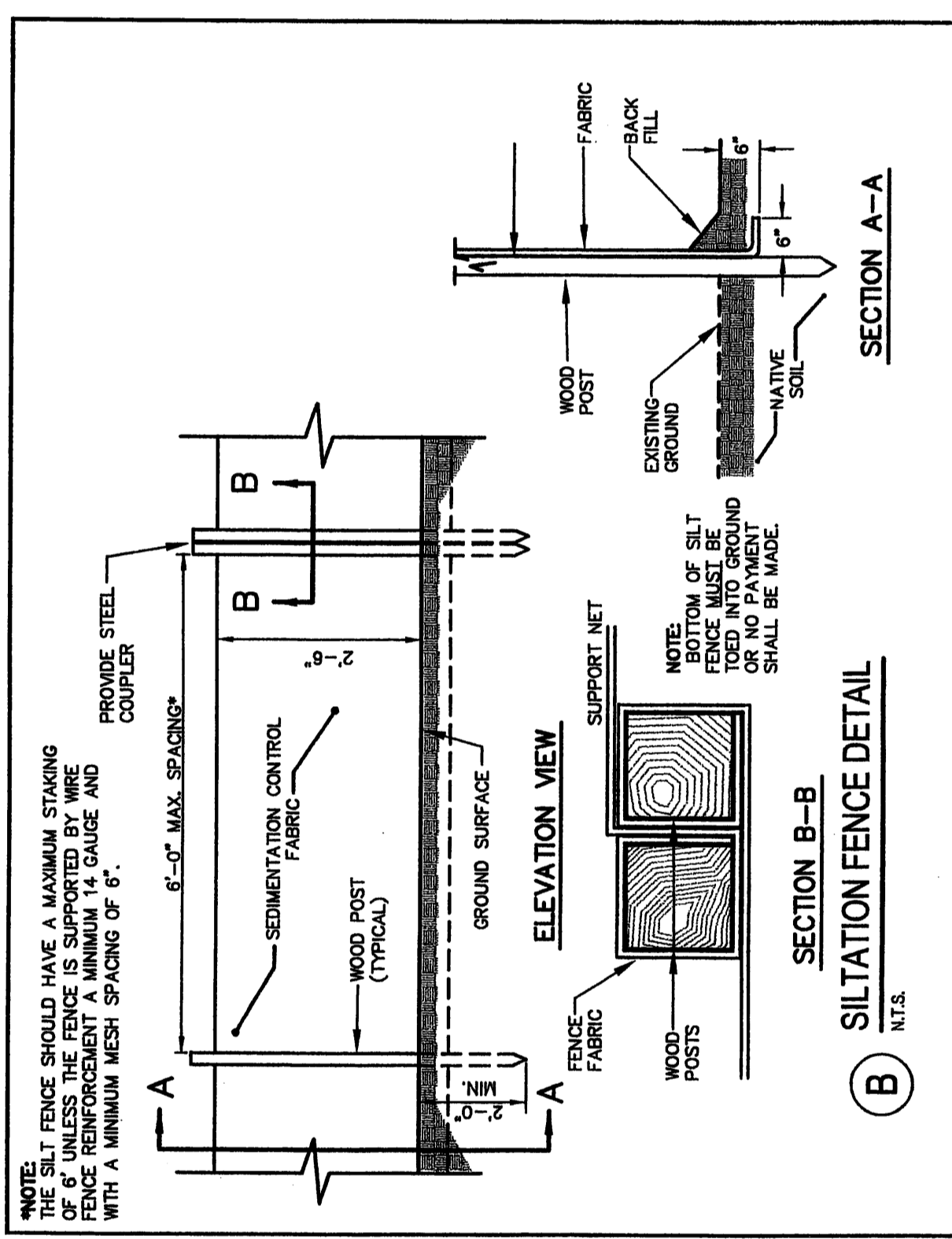
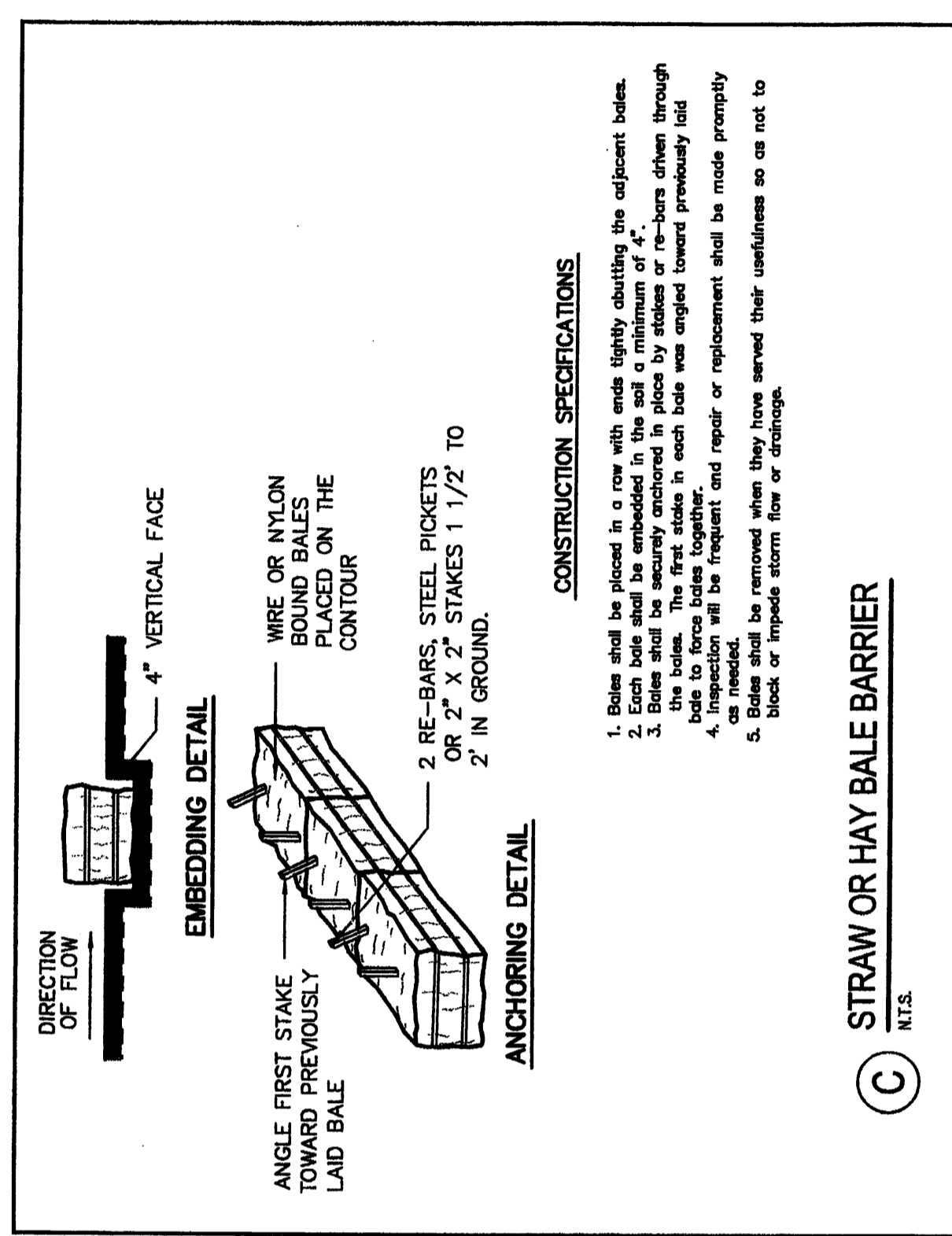


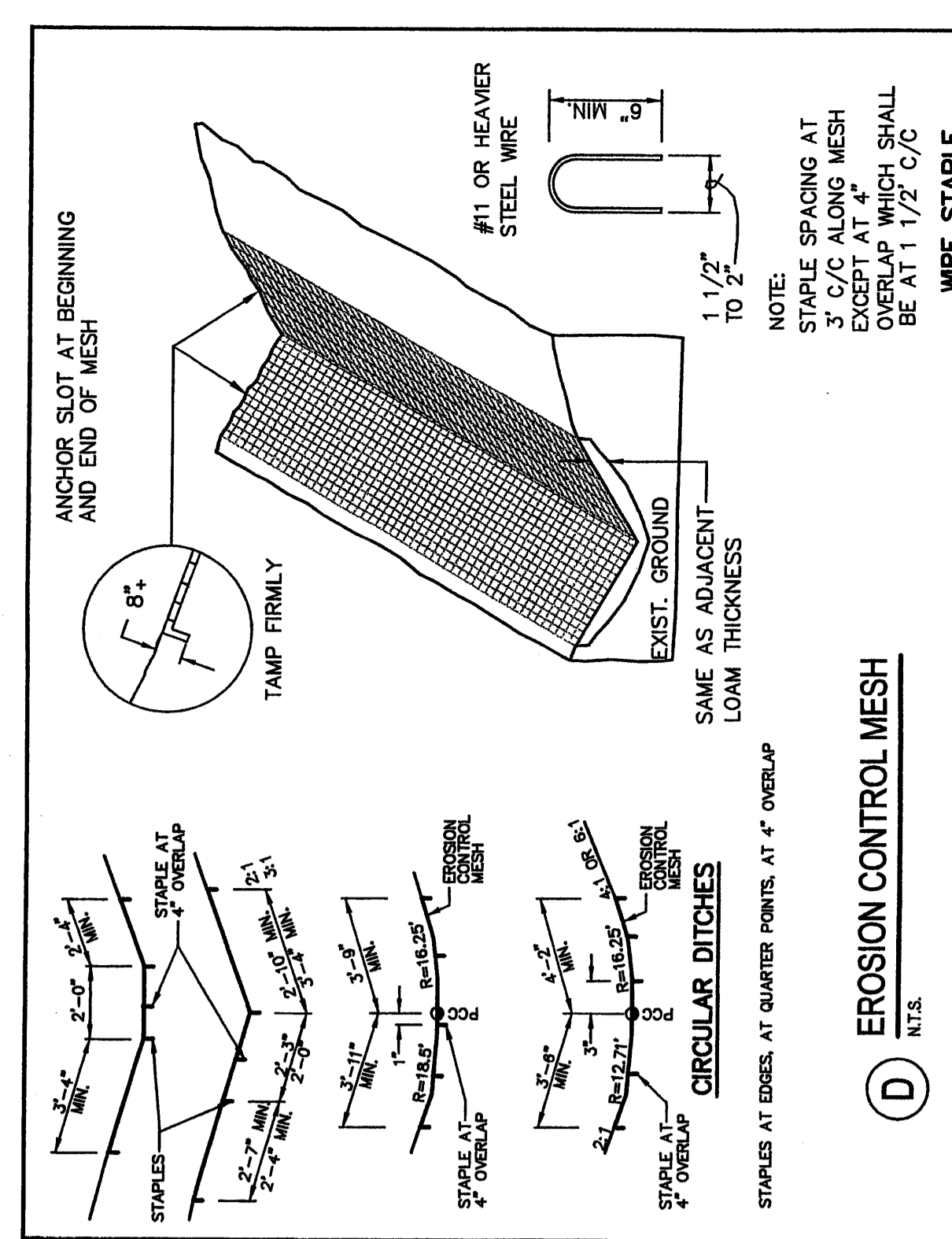
A STABILIZED CONSTRUCTION ENTRANCE
N.T.S.



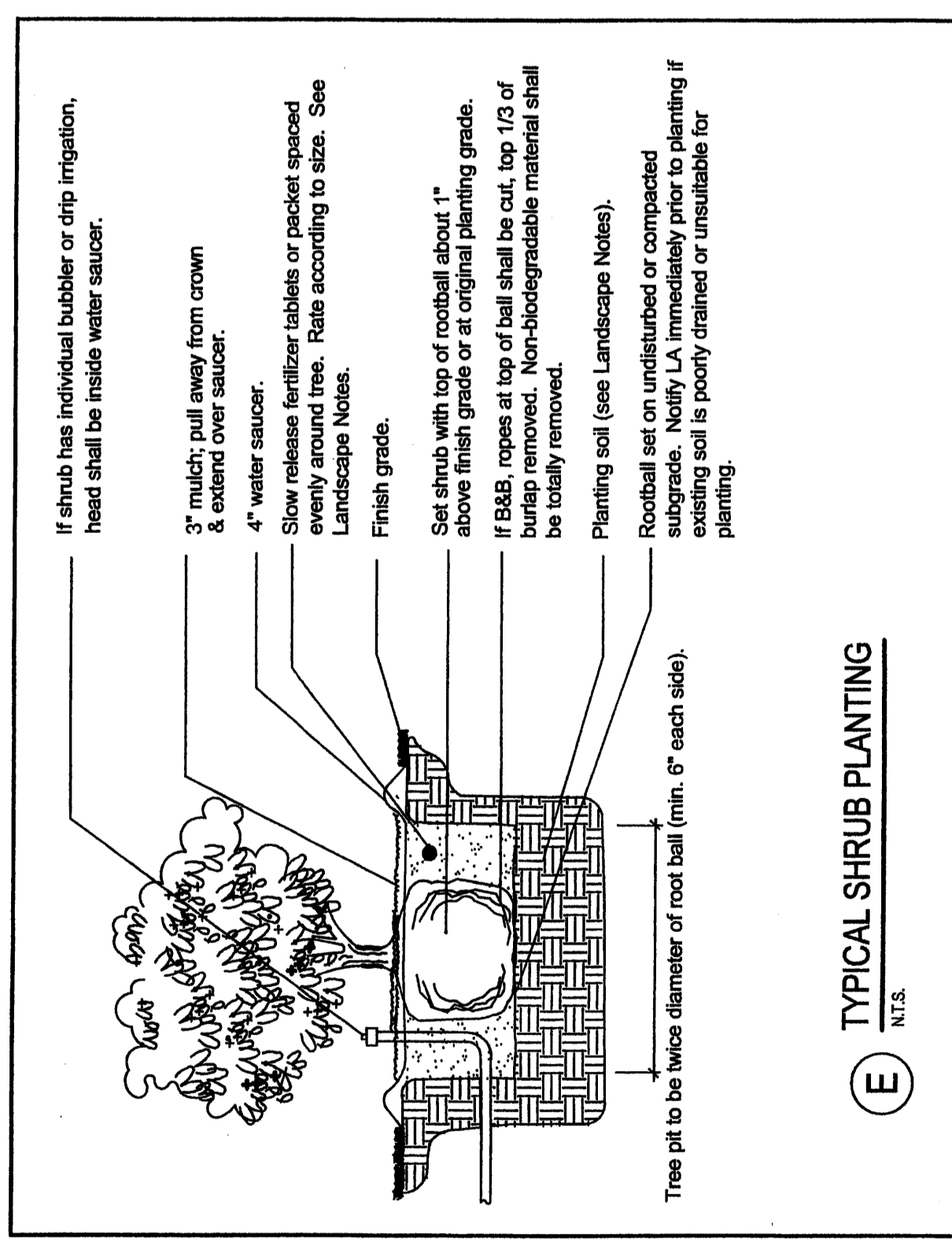
B SILTATION FENCE DETAIL
N.T.S.



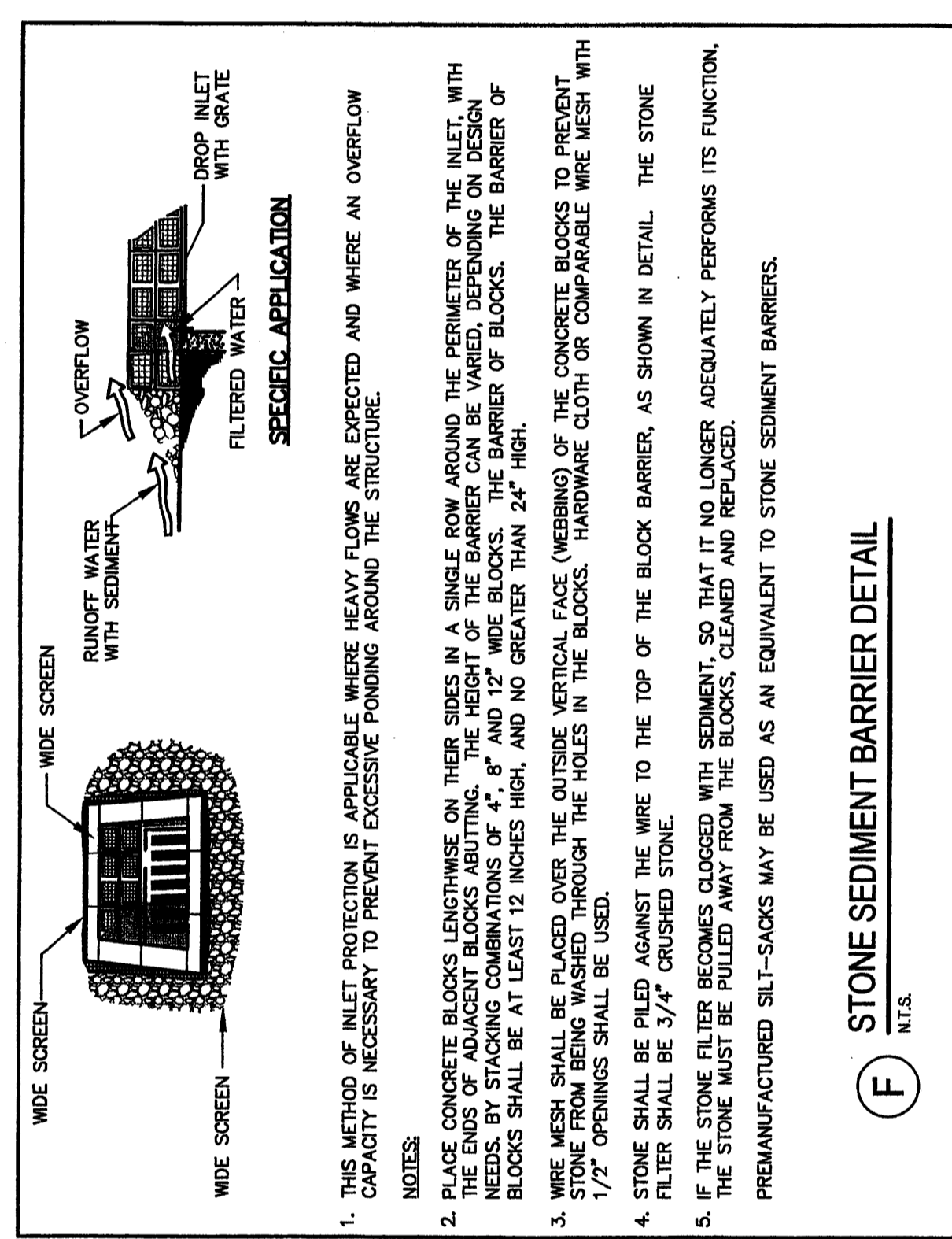
C STRAW OR HAY BALE BARRIER
N.T.S.



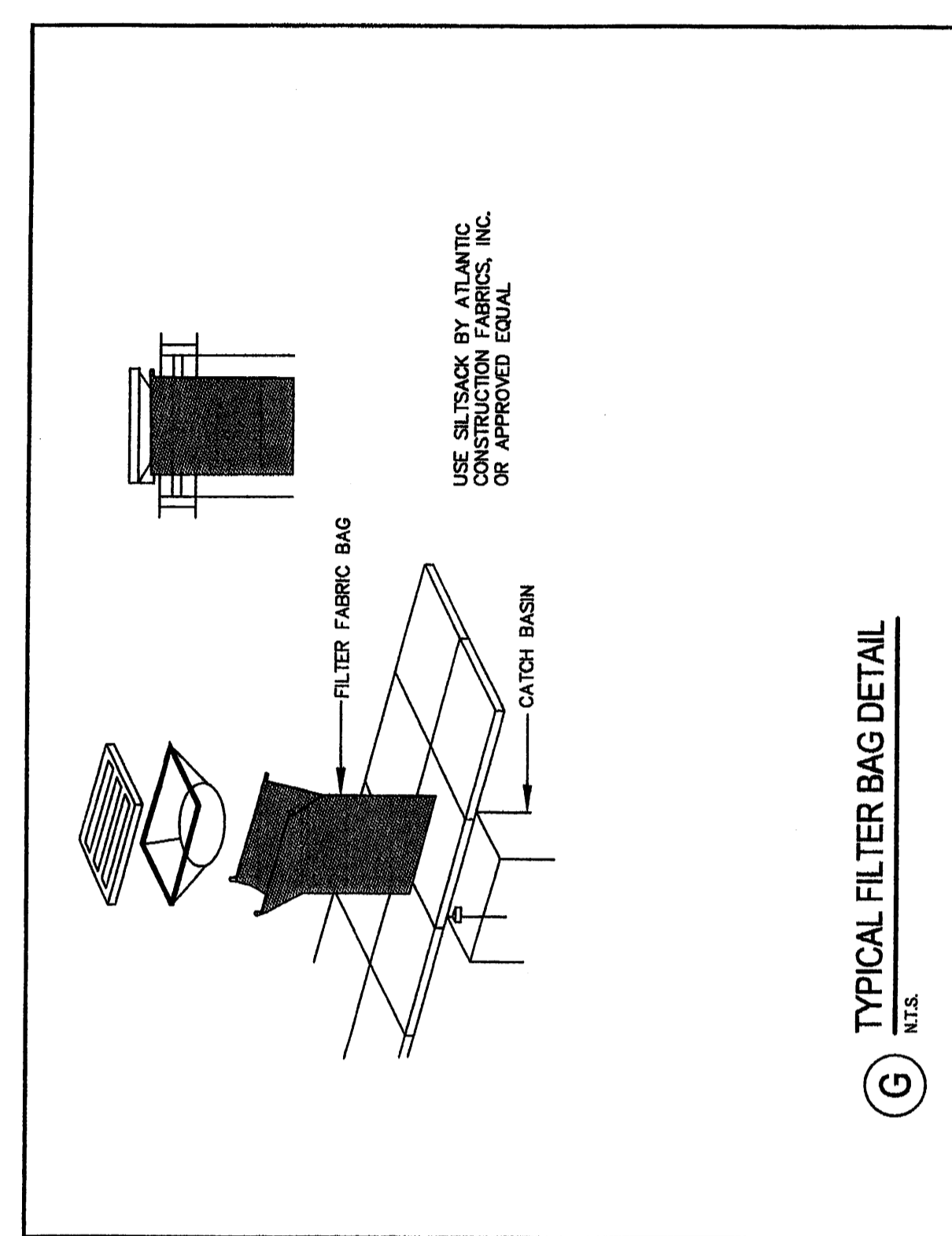
D EROSION CONTROL MESH
N.T.S.



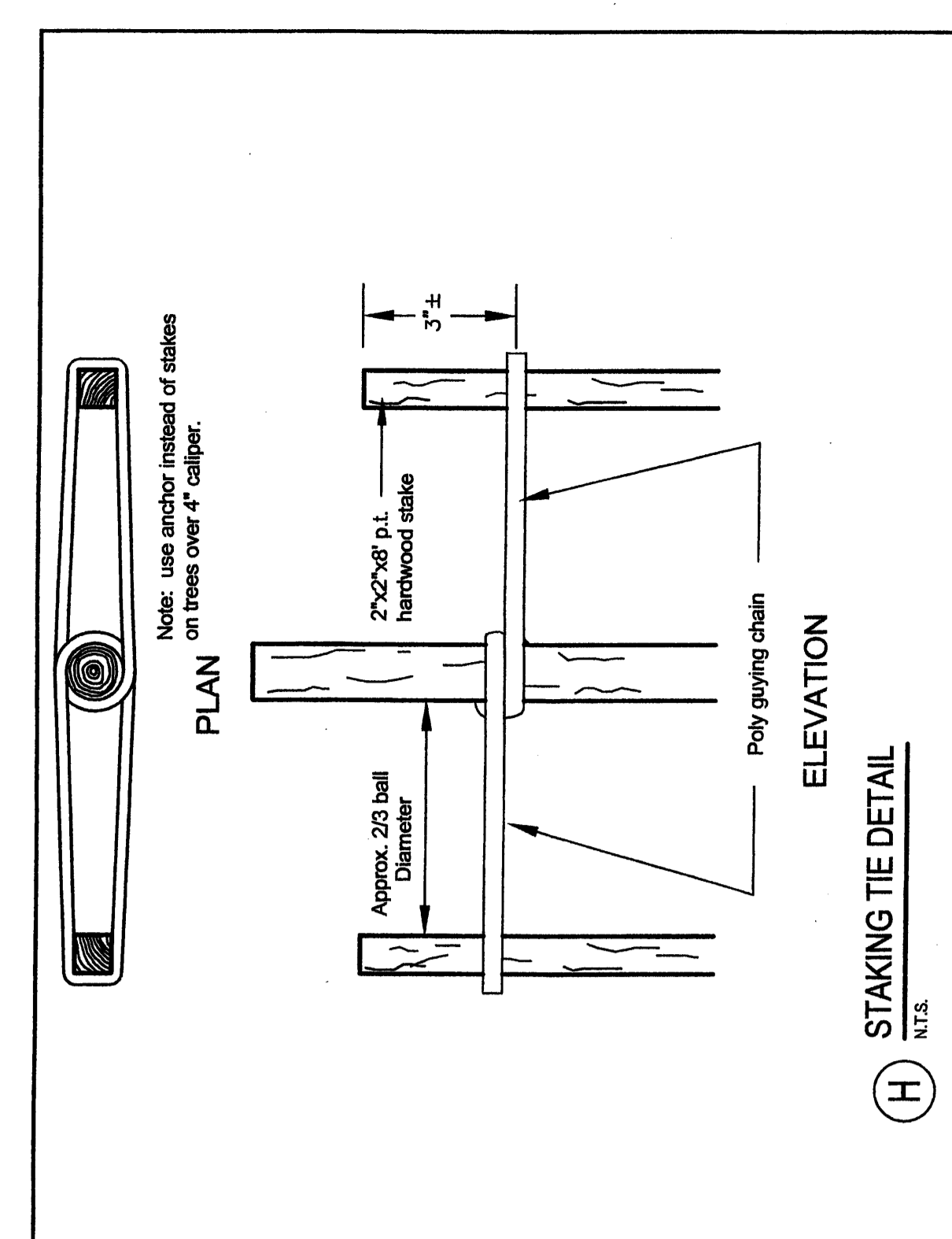
E TYPICAL SHRUB PLANTING
N.T.S.



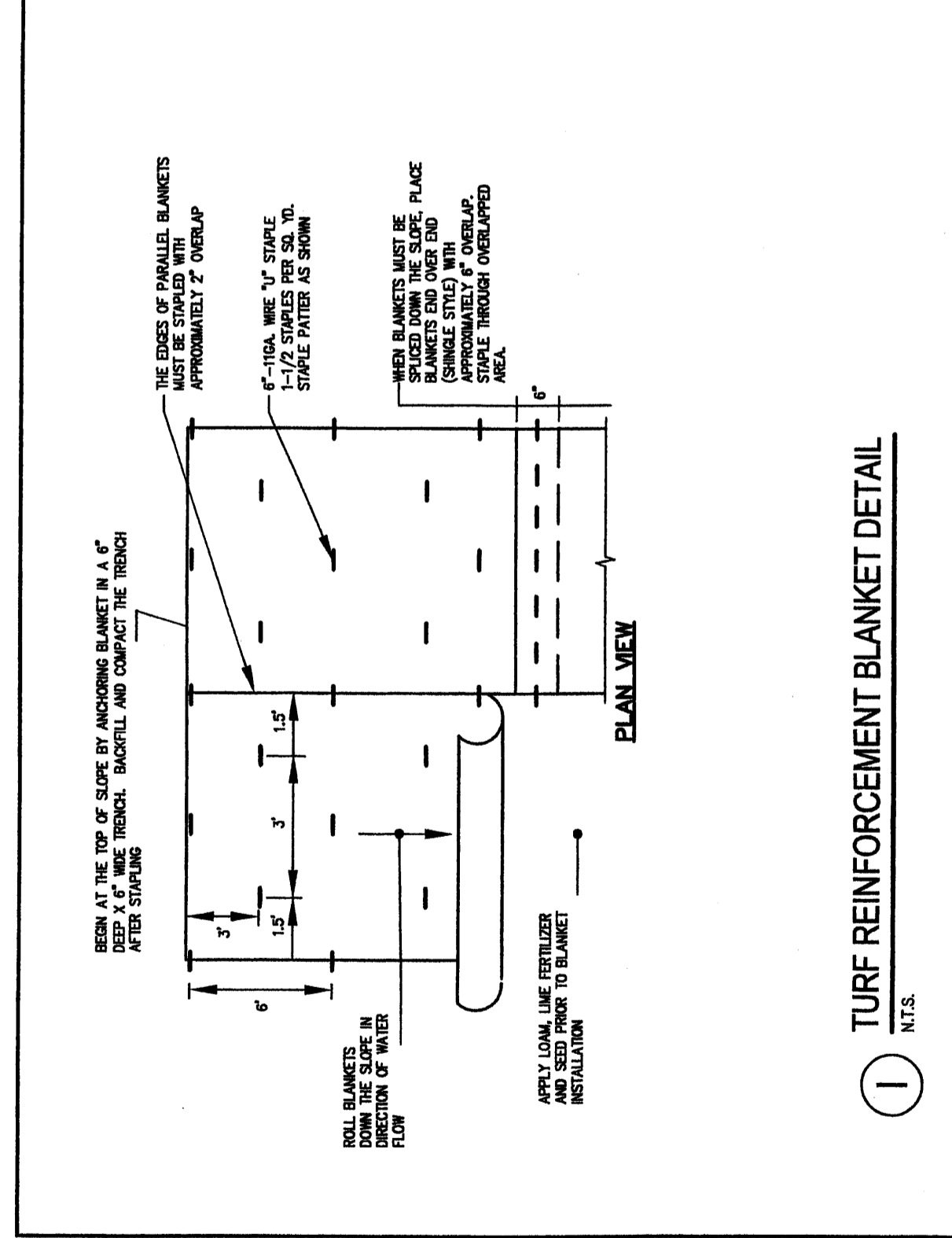
F STONE SEDIMENT BARRIER DETAIL
N.T.S.



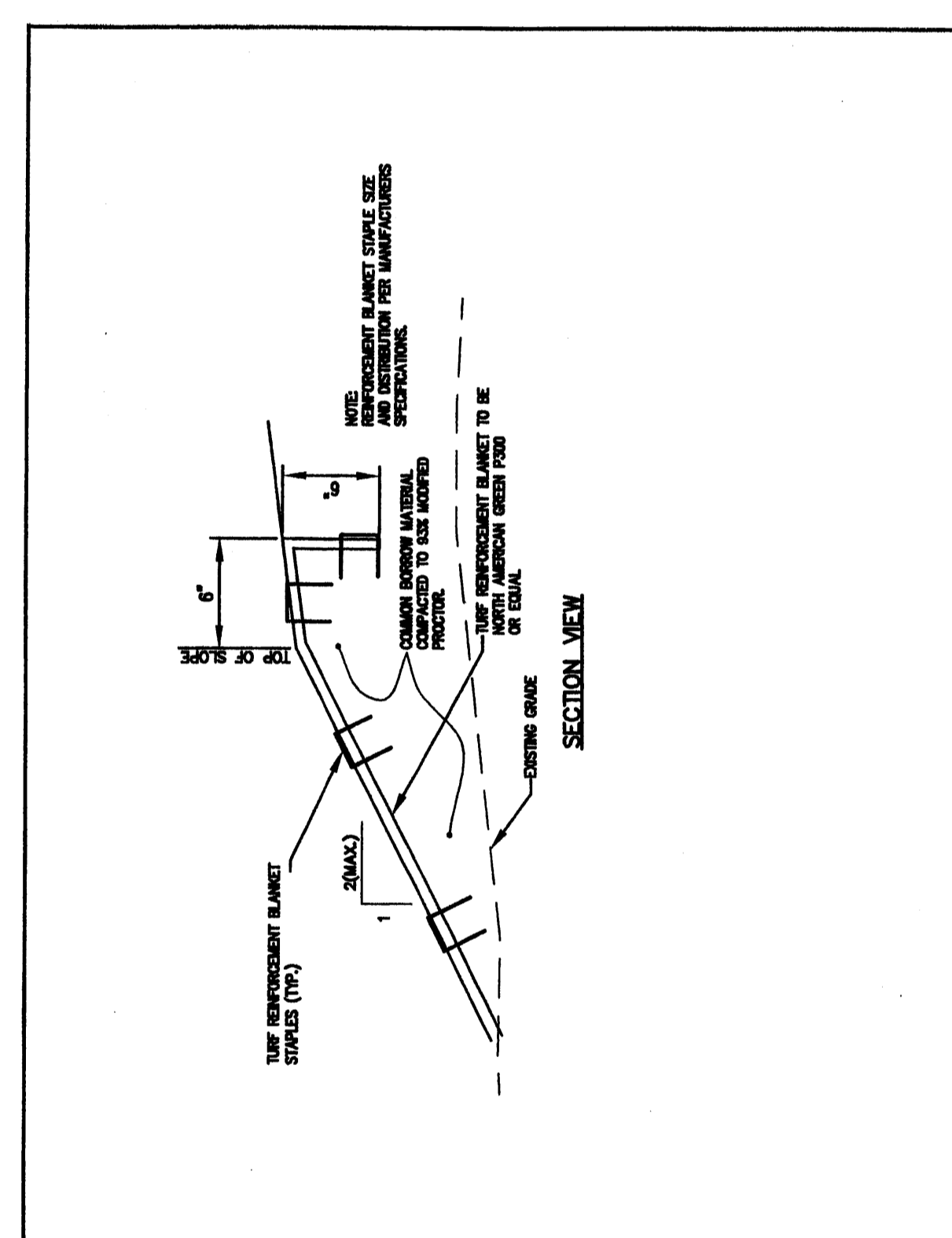
G TYPICAL FILTER BAG DETAIL
N.T.S.



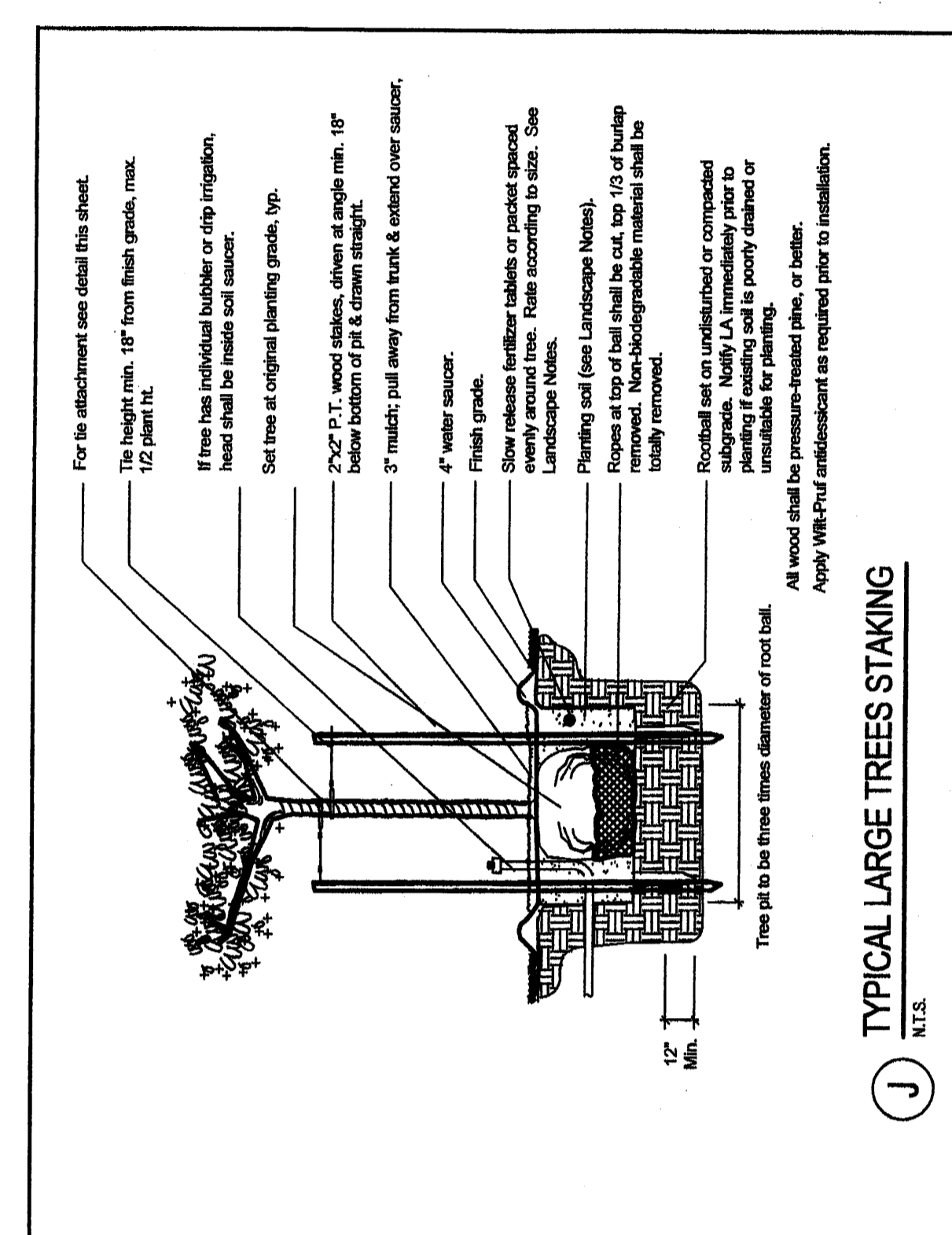
H STAKING TIE DETAIL
N.T.S.



I TURF REINFORCEMENT BLANKET DETAIL
N.T.S.



J TYPICAL LARGE TREES STAKING
N.T.S.



K TYPICAL EVERGREEN PLANTING
N.T.S.

DELUCA-HOFFMAN ASSOCIATES, INC. 779 MAIN STREET, SUITE 8 PORTLAND, ME 04106 TEL: 603-876-1111 FAX: 603-876-1112 WWW.DELUCAHOFFMAN.COM	
PROJECT: SENIOR HOUSING FACILITY & HEALTH CENTER PORTLAND, MAINE	SHEET TITLE: EROSION CONTROL & LANDSCAPE DETAILS
DRAWN: CMW DATE: NOV. 2002 DESIGNED: JCH SCALE: AS NOTED CHECKED: SRB JOB NO. 2301 FILE NAME: 2301-DET-EROS	CLIENT: VOLUNTEERS OF AMERICA
P.E. STEPHEN R. BUSHEY LIC. #7429	REVISIONS:

REV	DATE	DESCRIPTION
1	02/10/04	RELEASED FOR CONSTRUCTION
2	02/20/04	REVISED BIDDING LAYOUT - ISSUED FOR BIDDERS REVIEW
3	02/24/04	REVISED BIDDING LAYOUT - ISSUED FOR BIDDERS REVIEW
4	03/22/02	SUBMITTED FOR SITE PLAN REVIEW

PROJECT: SENIOR HOUSING FACILITY & HEALTH CENTER PORTLAND, MAINE	SHEET TITLE: EROSION CONTROL & LANDSCAPE DETAILS
DRAWN: CMW DATE: NOV. 2002 DESIGNED: JCH SCALE: AS NOTED CHECKED: SRB JOB NO. 2301 FILE NAME: 2301-DET-EROS	CLIENT: VOLUNTEERS OF AMERICA
P.E. STEPHEN R. BUSHEY LIC. #7429	REVISIONS: