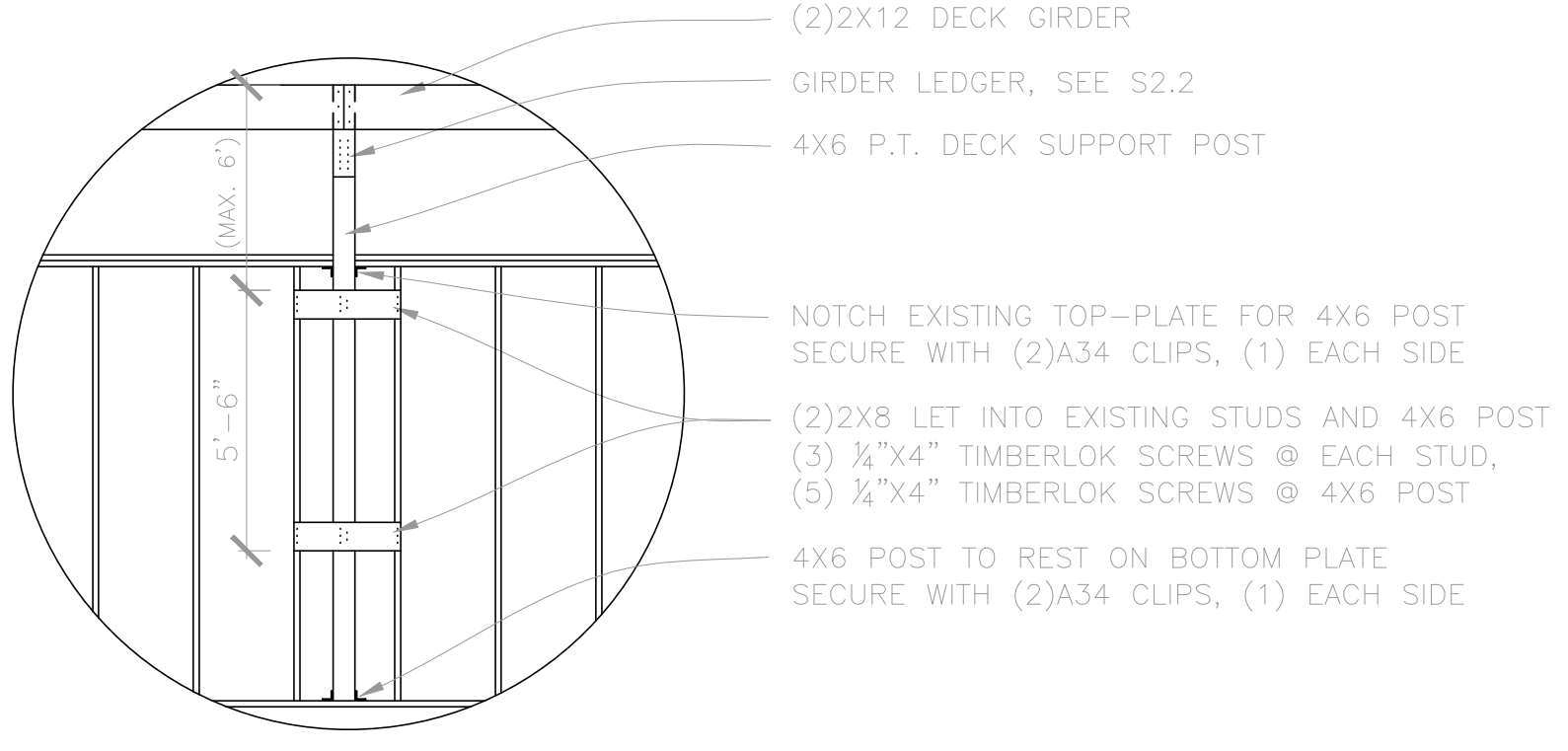


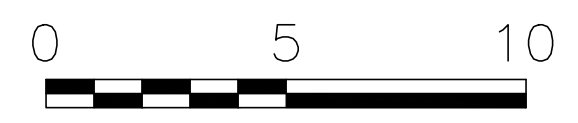
S1.1 DECK SUPPORT POST ELEVATION: SCALE 1/4"=1'



NOTE: ALL EXTERIOR WOOD (AND WOOD COMPOSITE) FRAMING & FINISH MATERIALS TO BE EXTERIOR RATED AND ROT RESISTANT. ALL HARDWARE AND FASTNERS TO BE HOT DIP GALVANIZED, SIMPSON "Z-MAX," OR STAINLESS STEEL.

FASTENER SCHEDULE	
SILL PLATE TO FOUNDATION	1/2" ANCHOR BOLT @ 36" O.C. W/ 3" PLATE WASHER; 9" MIN. EMBEDMENT
ROOF SHEATHING	8d @ 6" O.C. EDGE / 12" O.C. FIELD (TYPICAL PANELS) 8d @ 6" O.C. EDGE / 6" O.C. FIELD (PERIMETER PANELS)
WALL SHEATHING	8d @ 6" O.C. EDGE / 12" O.C. FIELD
FLOOR SHEATHING	12d RING OR SPIRAL NAILS @ 6" O.C. EDGE / 12" O.C. FIELD
POST BASES TO CONCRETE	SIMPSON TYPE AB
POST CAPS	SIMPSON BC OR LC (MATCH POST SIZE)
JOIST ON SILL, TOP PLATE, OR GIRDER	SIMPSON LUS HANGER OR 4 - 8d (TOENAILED) WHEN JOIST BEARS ON SUPPORT
BRIDGING / BLOCKING TO JOIST	2 - 8d (TOENAILED)
BLOCKING TO SILL / TOP PLATE	3 - 16d (TOENAILED)
LEDGER STRIP TO BEAM	3 - 16d (FACE NAILED, PER JOIST)
JOIST ON LEDGER TO BEAM	3 - 8d (TOENAILED)
BAND / RM JOIST TO JOIST	3 - 16d (END NAILED)
RM JOIST TO SILL / TOP PLATE	2 - 16d PER FOOT
TOP PLATE TO TOP PLATE	2 - 16d PER FOOT
TOP PLATES AT INTERSECTION	4 - 16d EACH SIDE
STUD TO STUD	1 - 16d @ 12" O.C.
HEADER TO HEADER	16d @ 8" O.C. ALONG EDGES
TOP OR BOTTOM PLATE TO STUD	2 - 16d
BOTTOM PLATE TO JOIST OR BLOCKING	2 - 16d PER FOOT
RAFTER TO TOP PLATE	SIMPSON H1 HURRICANE TIE
CEILING JOIST TO TOP PLATE	2 - 8d (TOENAILED)
BLOCKING TO RAFTER	2 - 8d EACH END
BAND JOIST TO RAFTER	2 - 16d EACH END
SLOPED/SKEWED RAFTER HANGERS AT RIDGE/HIP BEAMS	SIMPSON L5U

A Proposed Deck Framing Support  
1/4" = 1'-0"



**Rachel Conly**  
Architectural Design

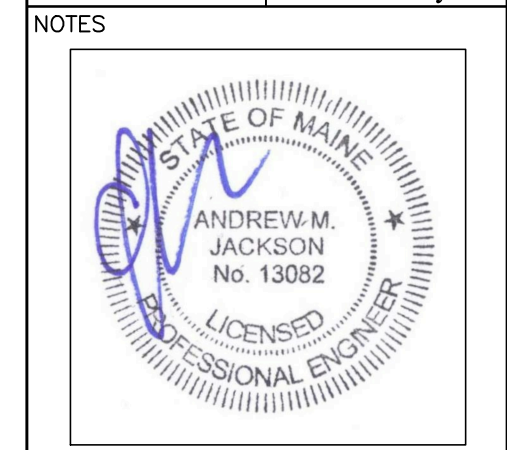
26 Sterling Street  
Peaks Island, Maine 04108  
207.766.5625

Proposed  
Deck Framing  
Support

PROJECT  
**Belden Residence**  
141 Island Ave.  
Unit #6  
Peaks Island, ME

DATE 02.05.15 REVISED

SCALE 1/4" = 1'-0" DRAWN BY Rachel & Harvey



**S1**