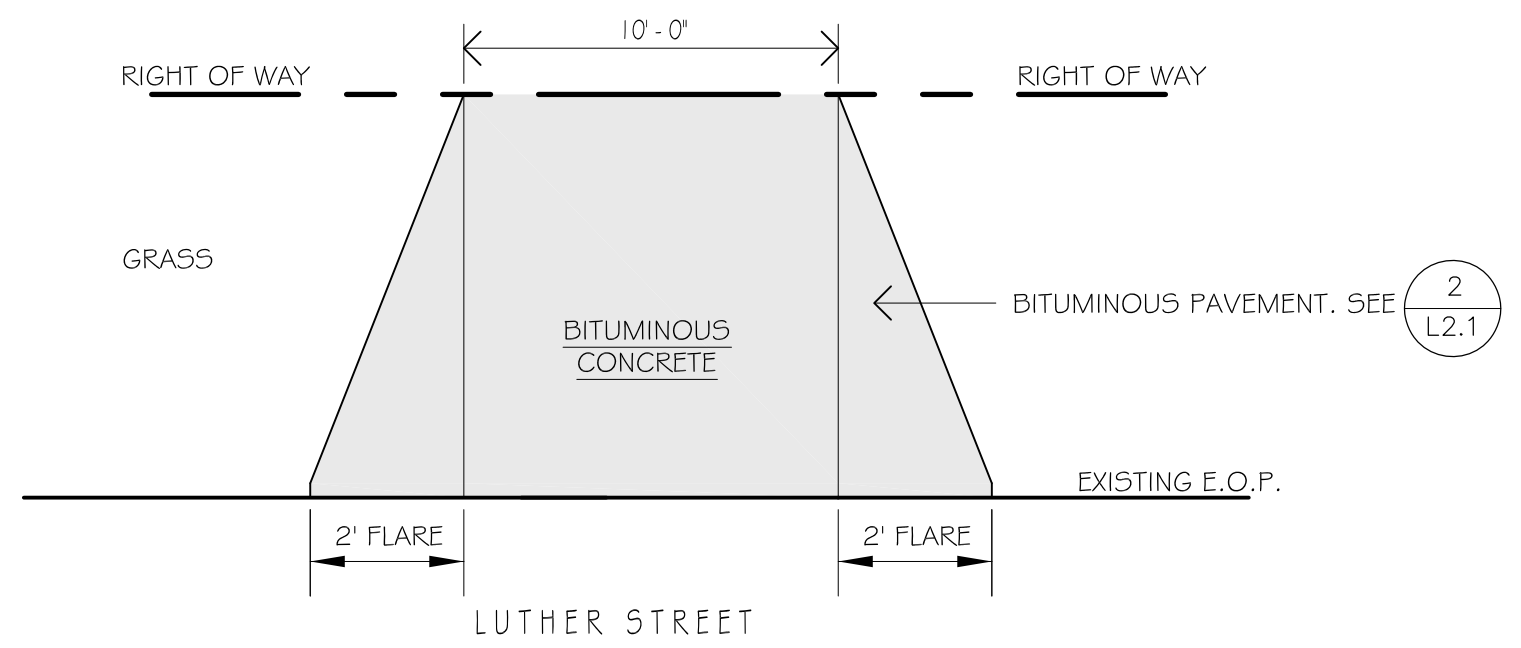
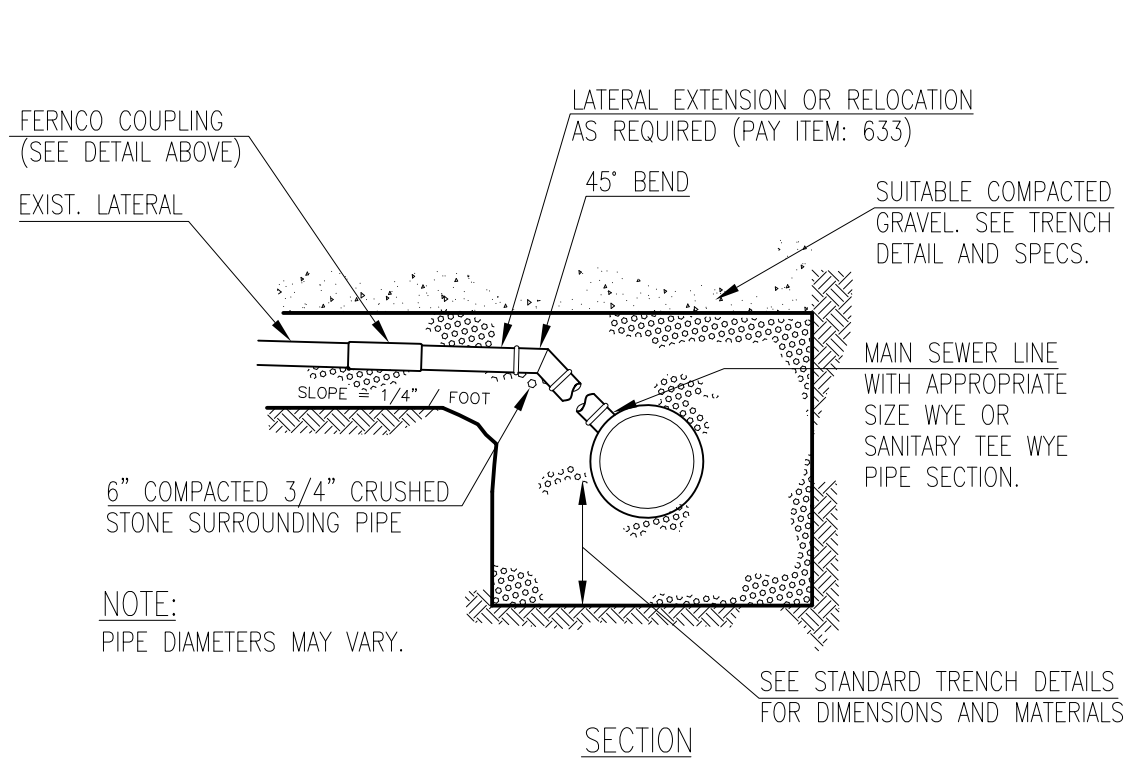
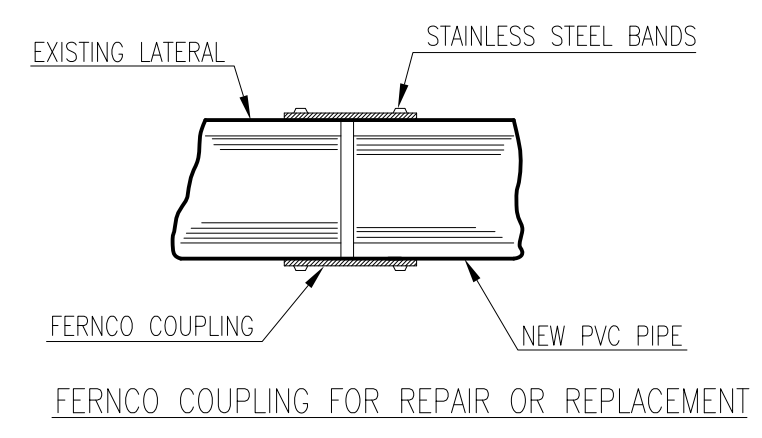


18 Luther Street
 Portland, Maine
 Peaks Island
 for
 HOMESTART, P.O. Box 174, Peaks Island, Maine 04108

NOTE:
 MATCH EXISTING GRADE OF DRIVEWAY AT THE PROPERTY LINE.
 ADDITIONAL REPAIR OF THE DRIVEWAY BEYOND PROPERTY LINE AS
 DIRECTED BY THE PROJECT ENGINEER.

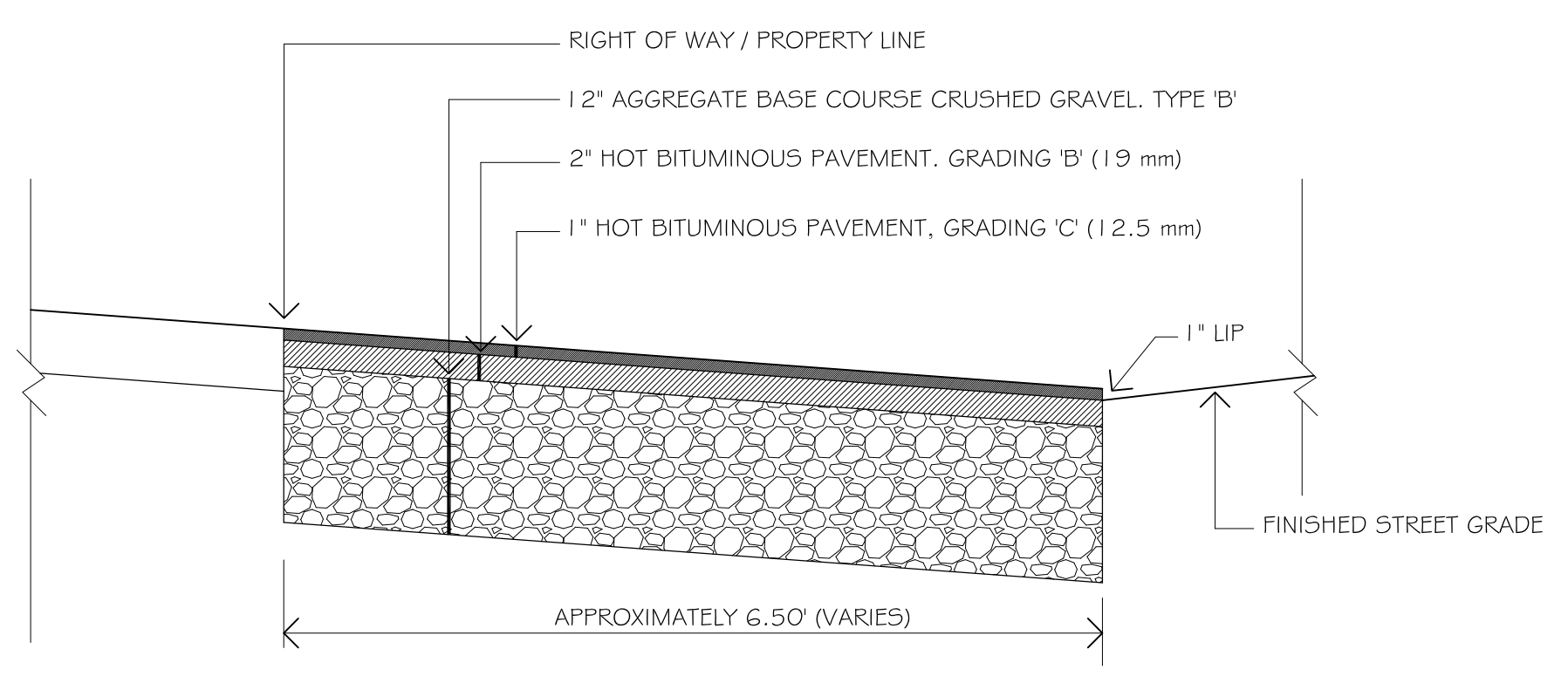


1 DRIVEWAY APRON LAYOUT
 L2.1 NOT TO SCALE

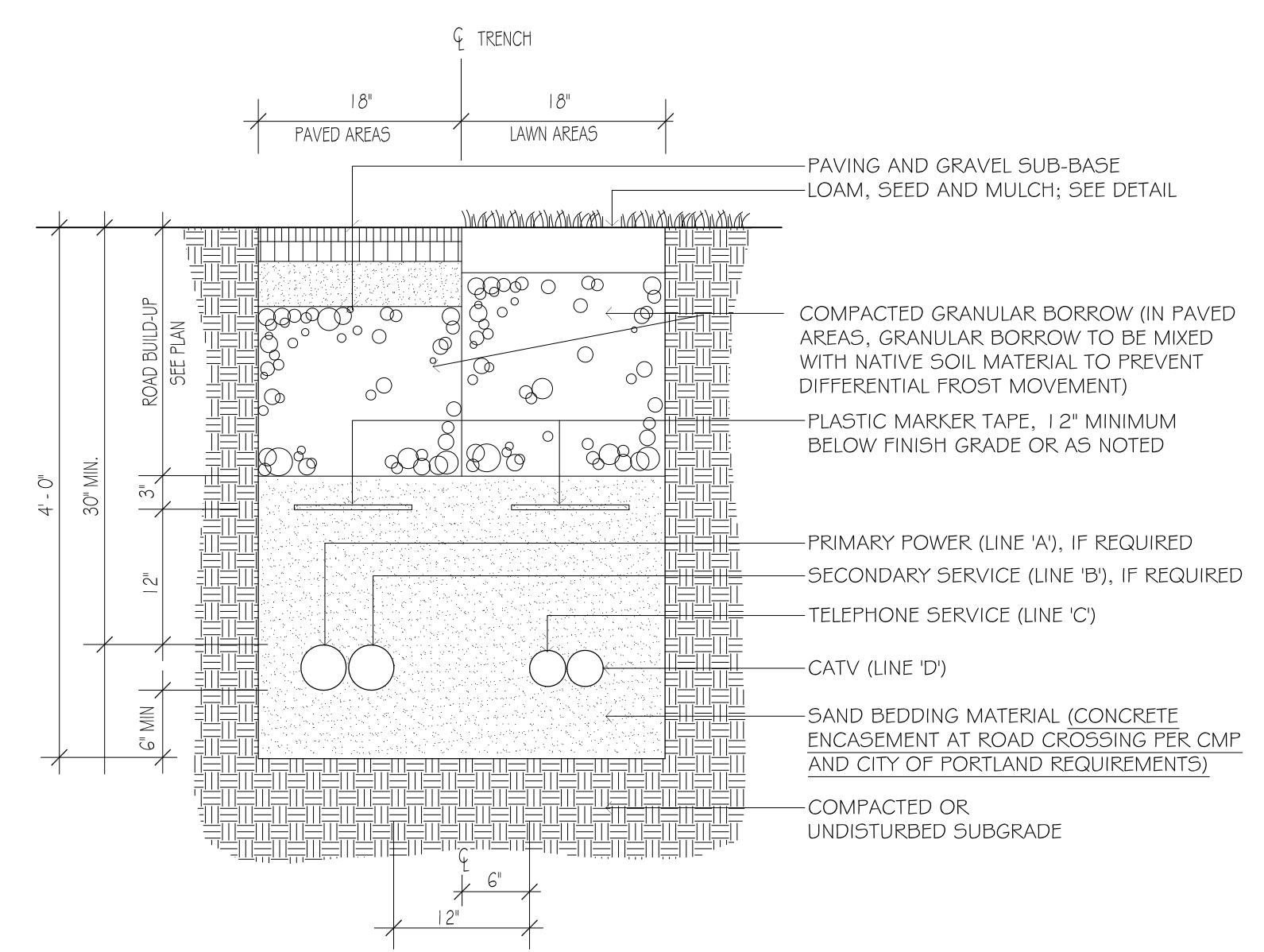


- NOTE:
 PIPE DIAMETERS MAY VARY.
- NOTE:
 1. LOCATIONS AND ELEVATIONS OF STUBS SHOWN ON THE PLANS ARE TO BE CONSIDERED AS APPROXIMATE AND MAY BE ADJUSTED AS DIRECTED TO SUIT FIELD CONDITIONS.
 2. HOUSE CONNECTIONS AND CATCH BASINS CONNECTIONS TO THE MAIN LINE OF THE SEWER, SHALL CONSIST OF AN APPROPRIATE "Y" BRANCH CONNECTION AS SHOWN ON THE PLANS, OR AS DIRECTED. ACTUAL "Y" LOCATIONS FOR HOUSE CONNECTIONS AND CATCH BASIN CONNECTIONS SHALL BE DETERMINED DURING CONSTRUCTION. THE CONTRACTOR SHALL KEEP A COMPLETE RECORD OF "Y" LOCATIONS WHICH SHALL BE GIVEN TO THE CITY OF PORTLAND UPON COMPLETION OF THE CONTRACT.
 3. PROPOSED SEWER PIPES: 6" PVC PROPOSED FOUNDATION DRAINS: 4" PVC

4 EXISTING LATERAL CONNECTION DETAIL
 L2.1 NOT TO SCALE



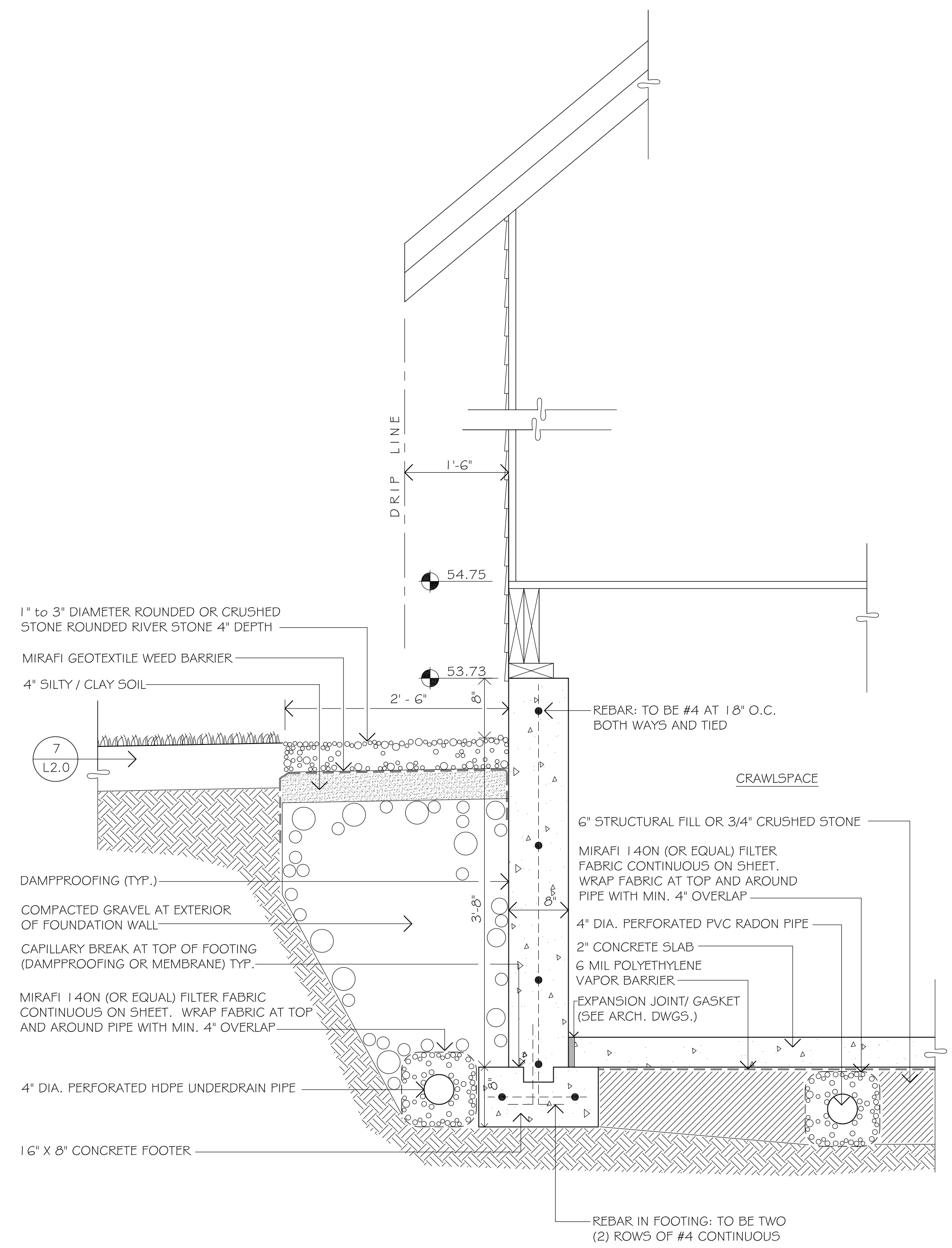
2 BITUMINOUS DRIVEWAY APRON
 L2.1 NOT TO SCALE



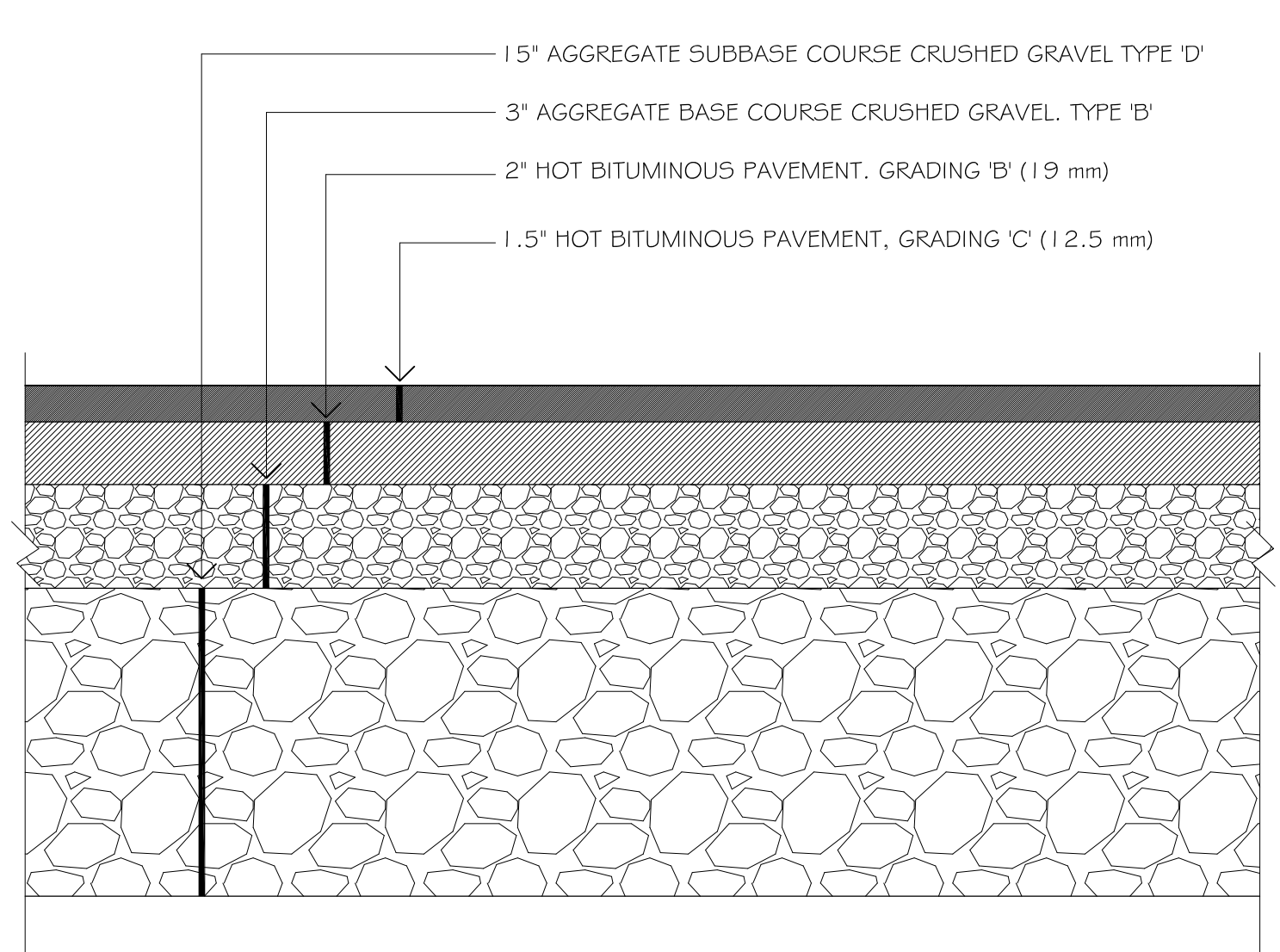
SERVICE	CONDUIT SIZE	CONDUIT TYPE	UTILITY
A	4"	SCHEDULE 40 P.V.C. ELECTRICAL GRADE	PRIMARY POWER
B	4"	SCHEDULE 40 P.V.C. ELECTRICAL GRADE	SECONDARY POWER
C	3"	SCHEDULE 40 P.V.C. ELECTRICAL GRADE	TELEPHONE
D	3"	SCHEDULE 40 P.V.C. ELECTRICAL GRADE	CATV

- NOTES:
 1. CONDUIT SIZES TO BE AS LISTED ABOVE UNLESS OTHERWISE NOTED ON PLANS.
 2. ALL WORK SHALL COMPLY WITH THE RESPECTIVE UTILITY COMPANY STANDARDS.
 3. SEE UTILITIES PLANS FOR CONDUIT LOCATIONS.
 4. CONTRACTOR TO PROVIDE 1/4" POLYPROPYLENE PULL ROPES IN ALL CONDUITS.

5 UNDERGROUND UTILITY TRENCH (MULTIPLE PIPE)
 L2.1 NOT TO SCALE



6 FOUNDATION DRAIN AND STONE DRIP STRIP
 L2.1 NOT TO SCALE



3 LUTHER STREET CROSS SECTION / TRENCH REPAIR
 L2.1 NOT TO SCALE

Rev.	Date	Description	Drawn	Check
1.	09-07-10	Per City Staff Review	MK	WW
2.	02-11-11	Bldg Documents	MK	WW
3.	09-28-11	Revised Utilities	MK	WW