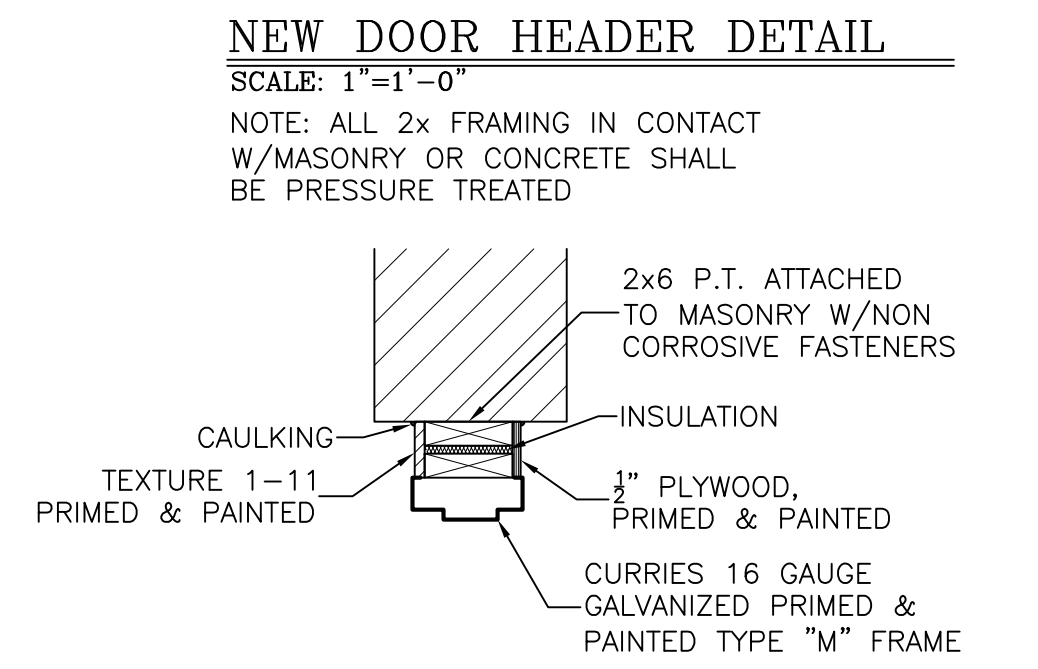
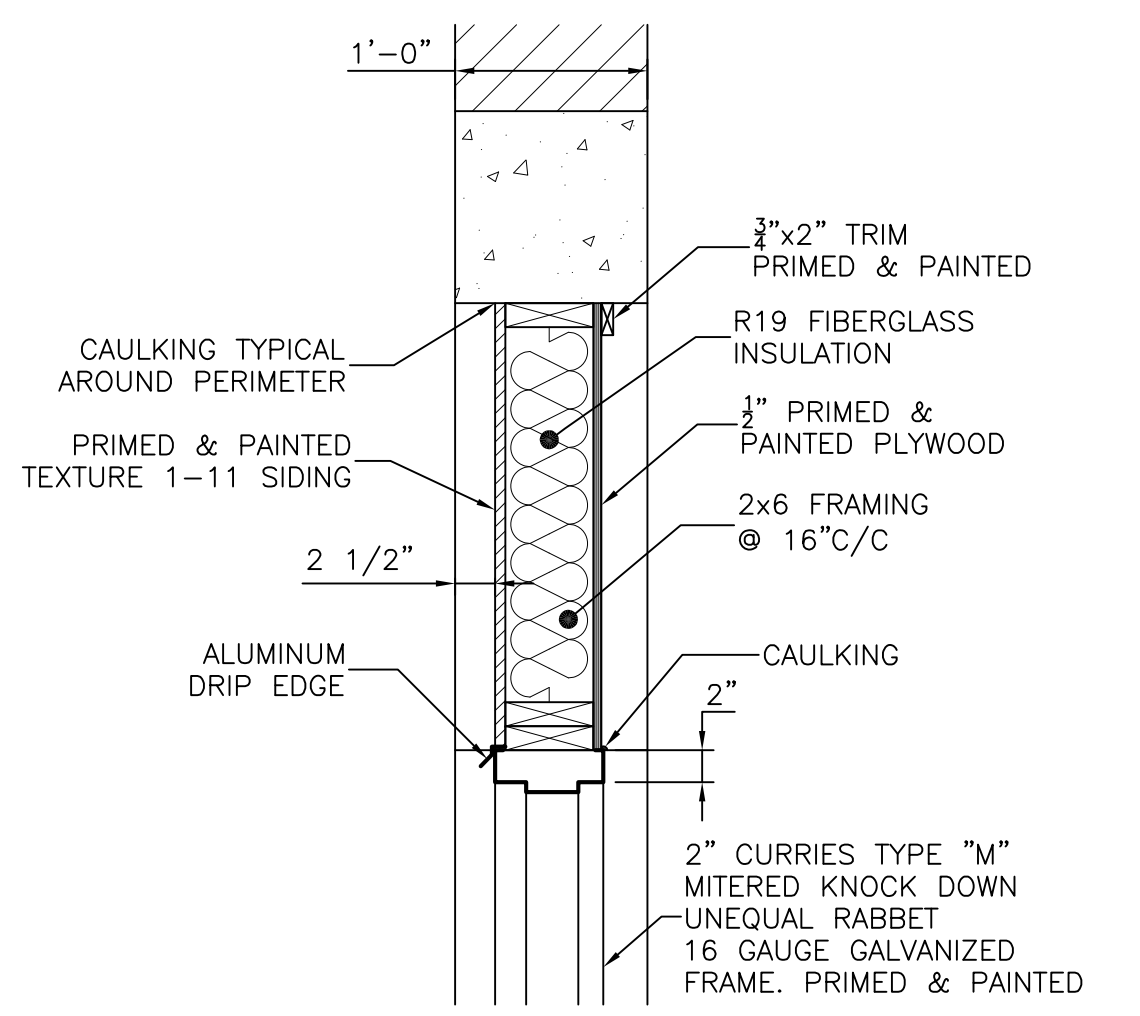
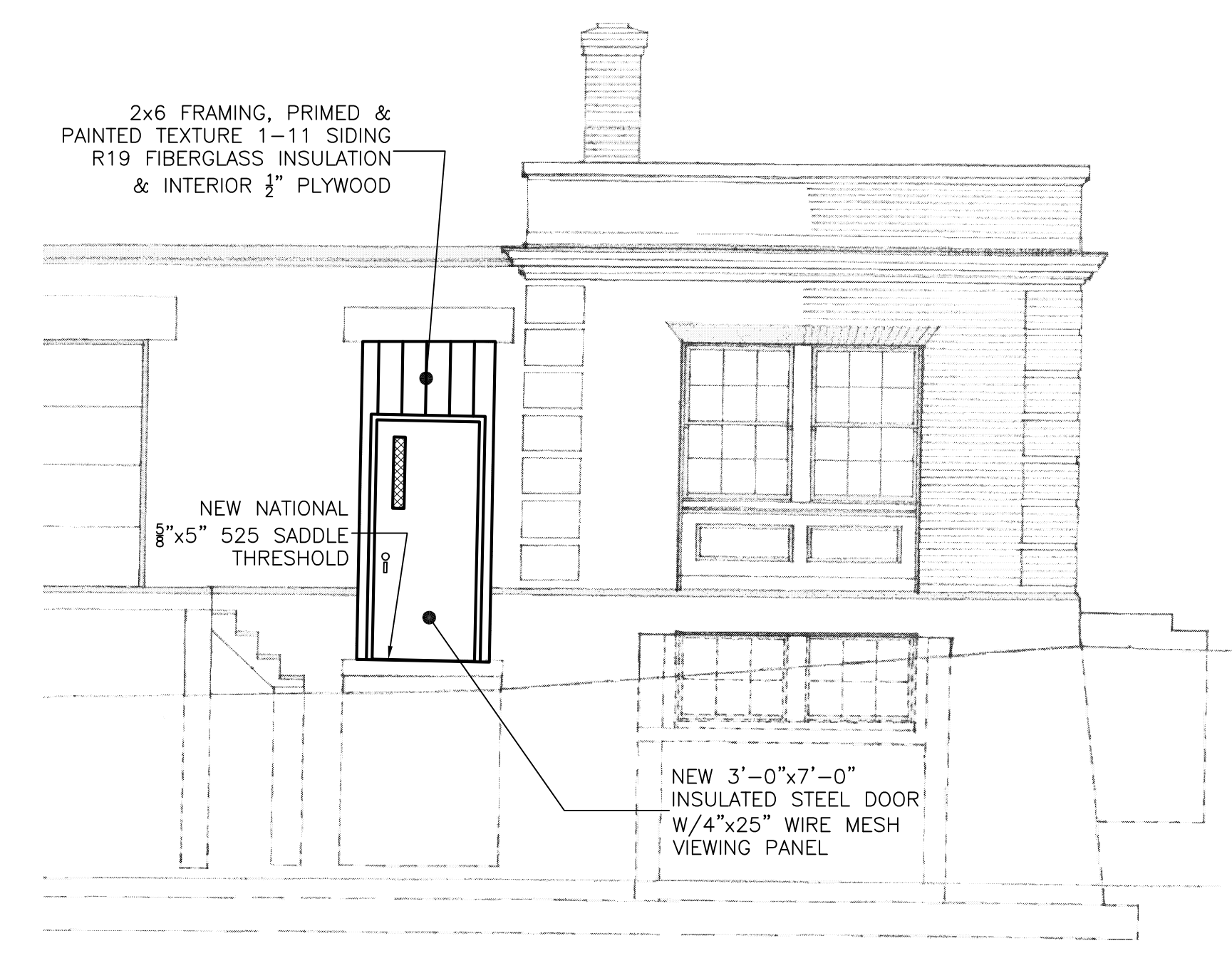
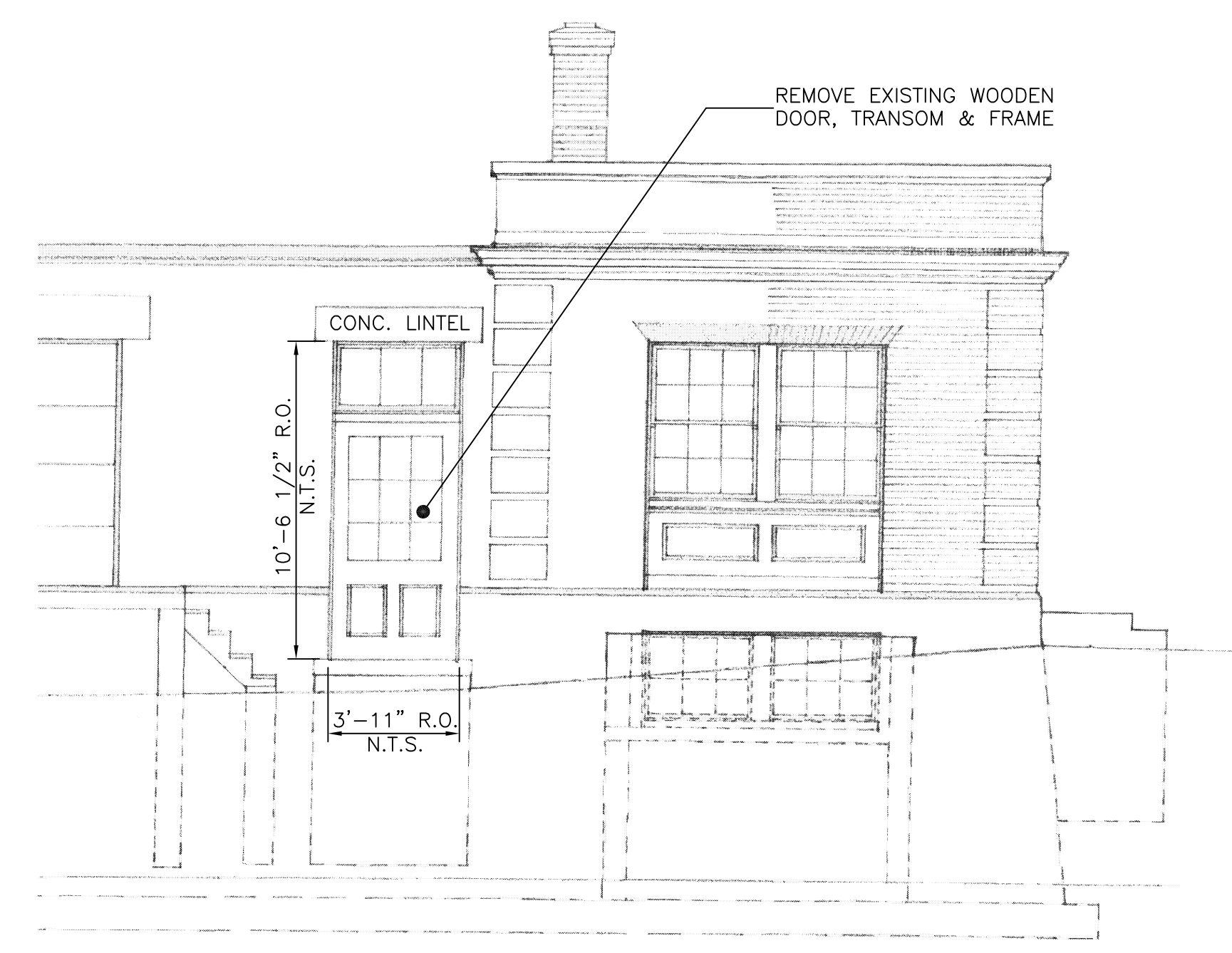
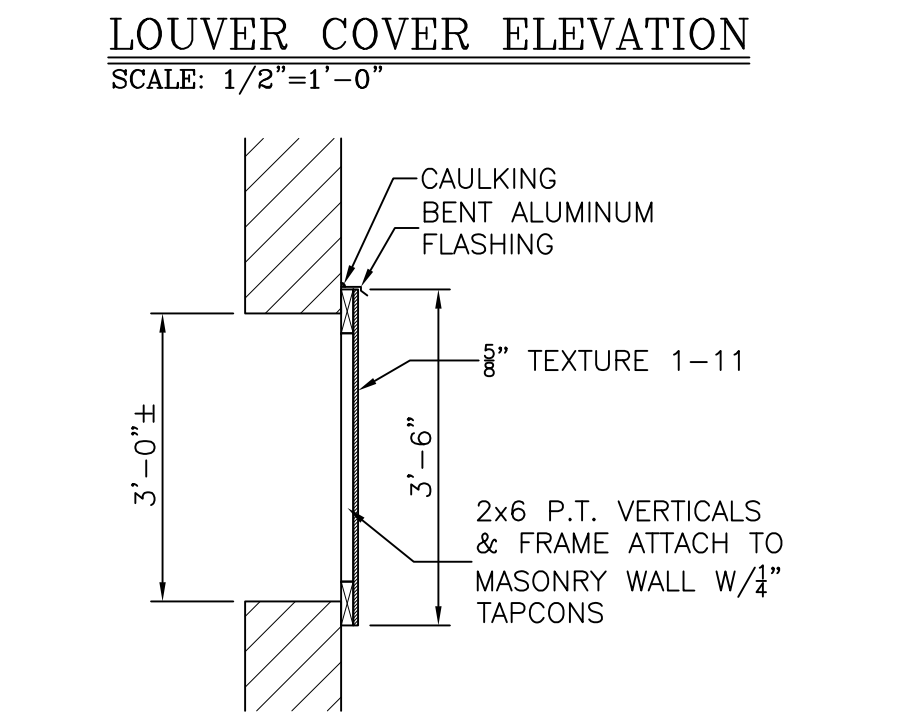
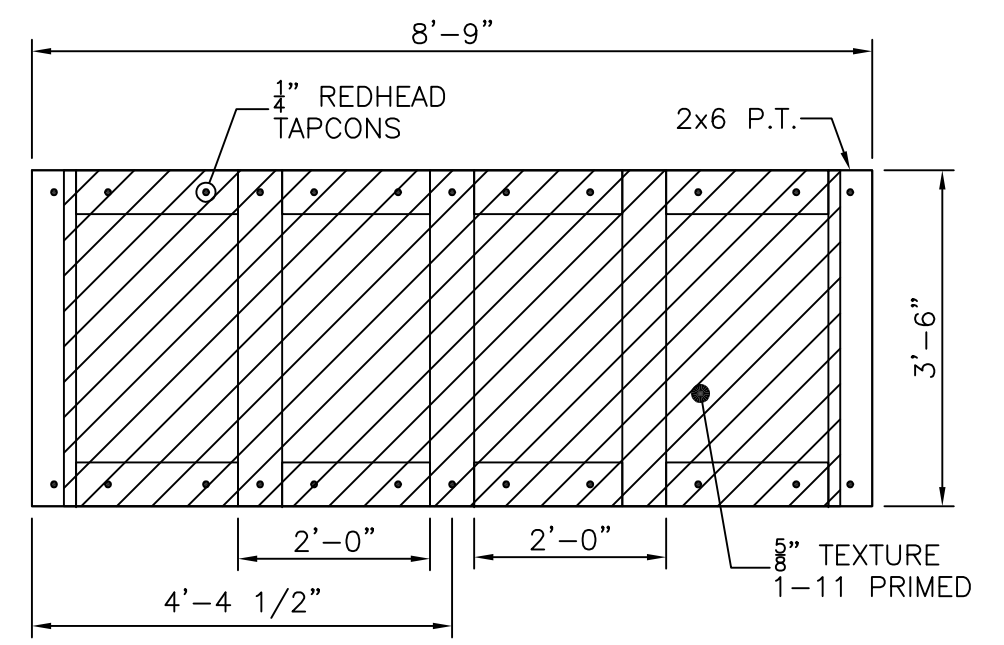
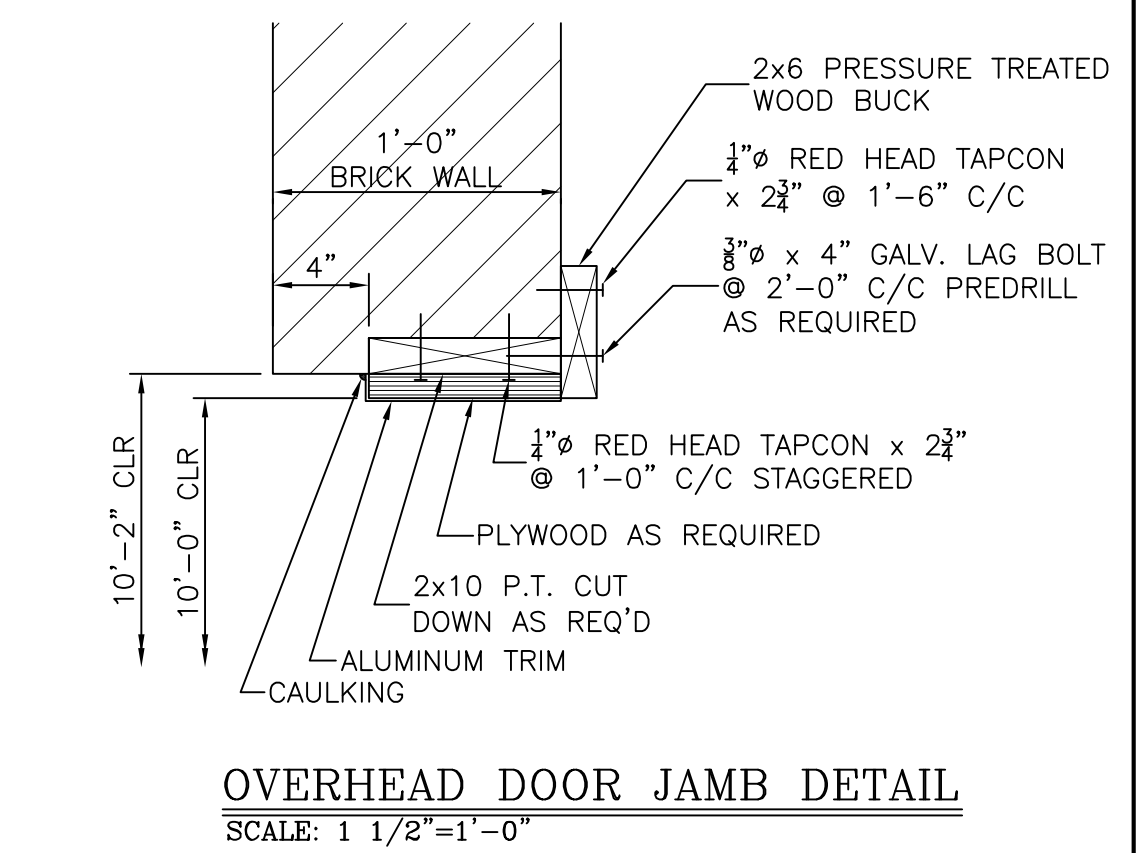
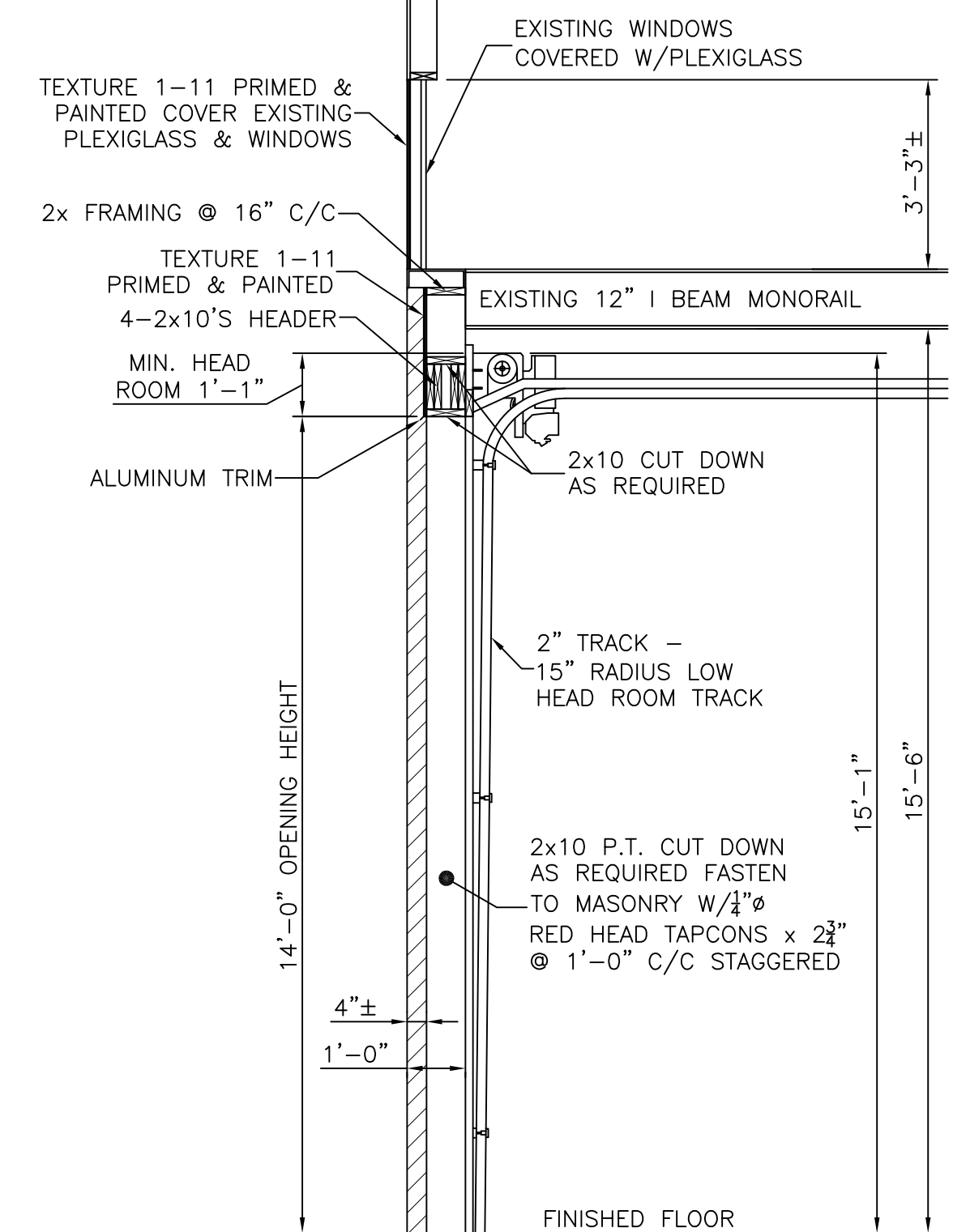
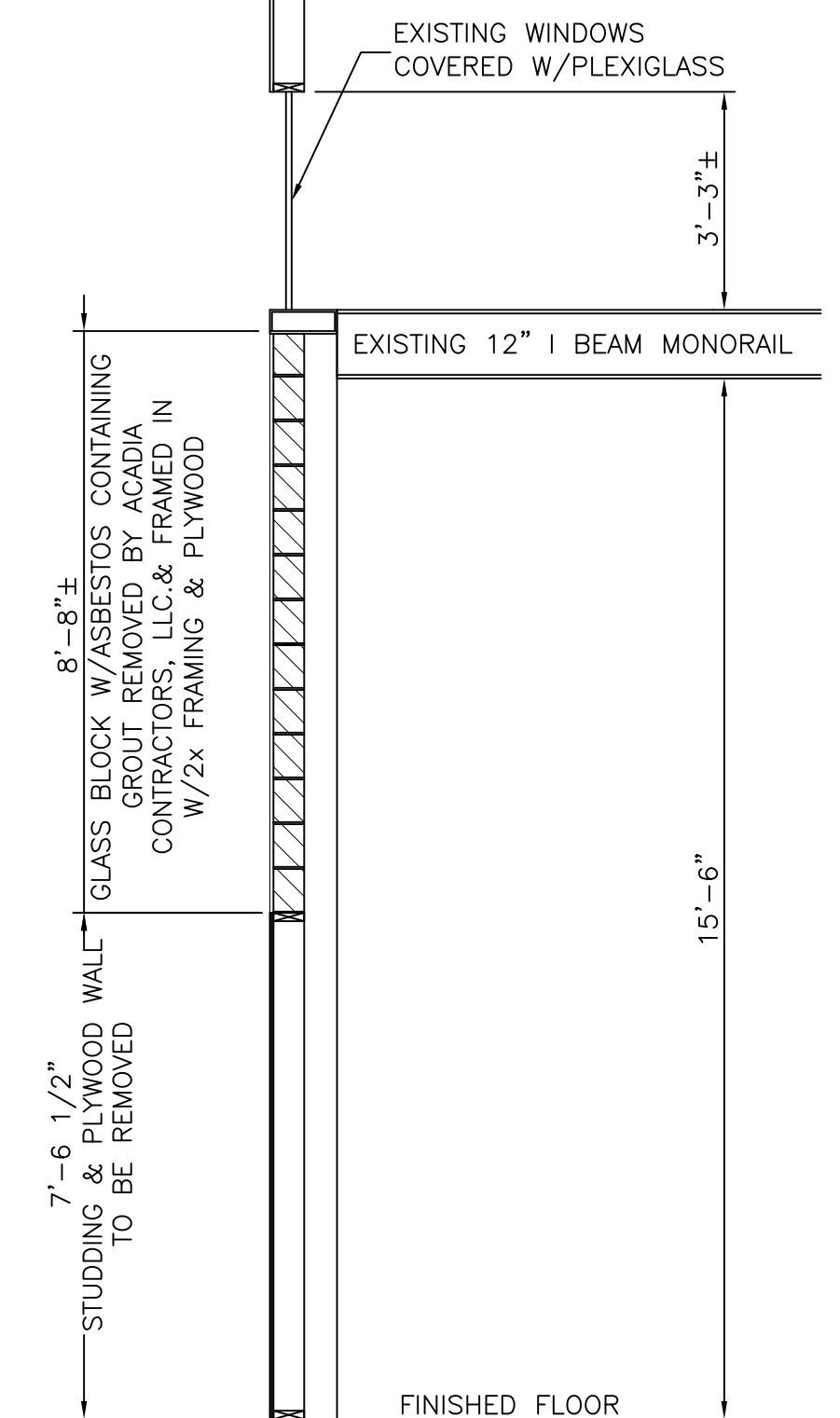
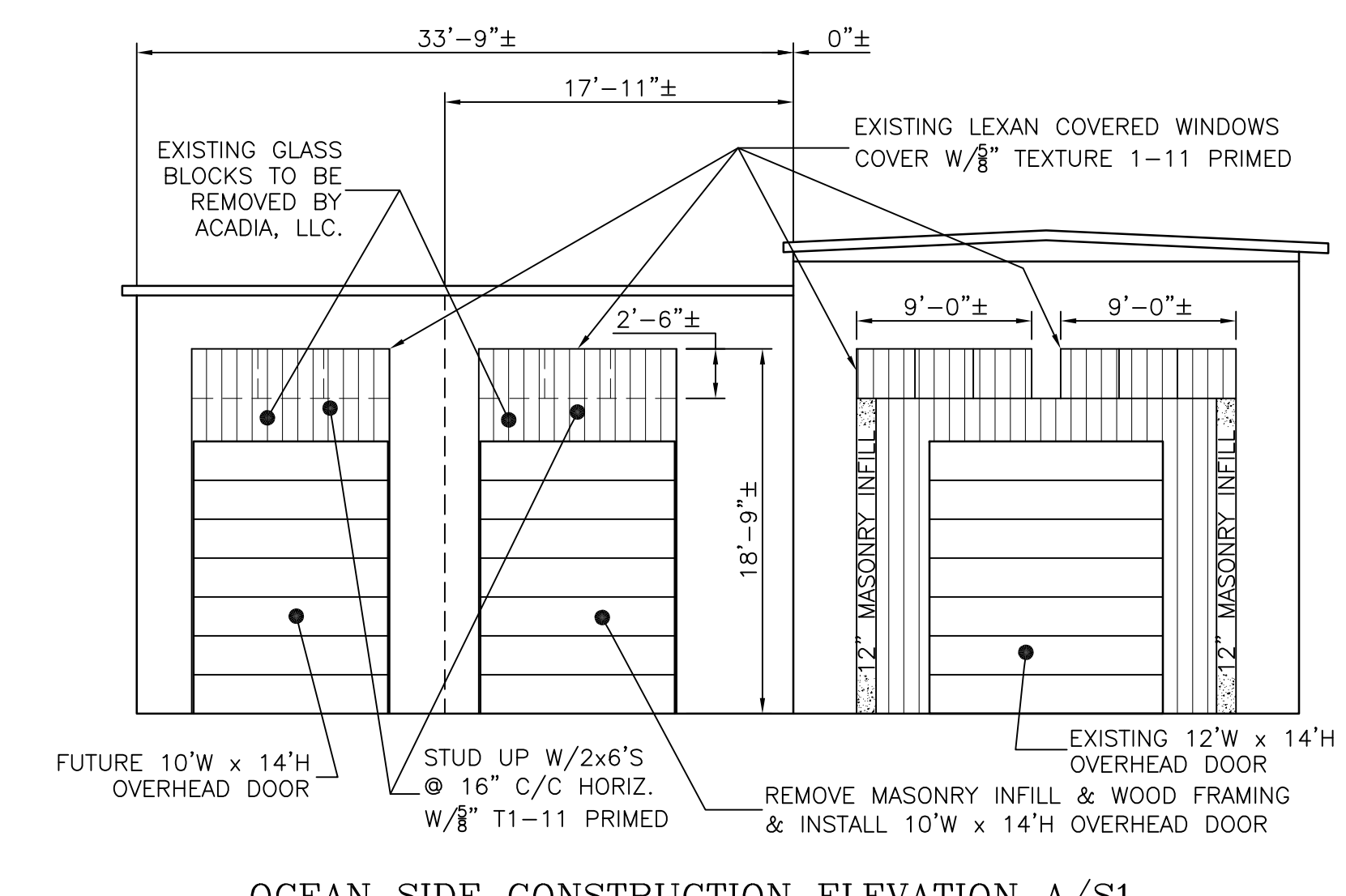
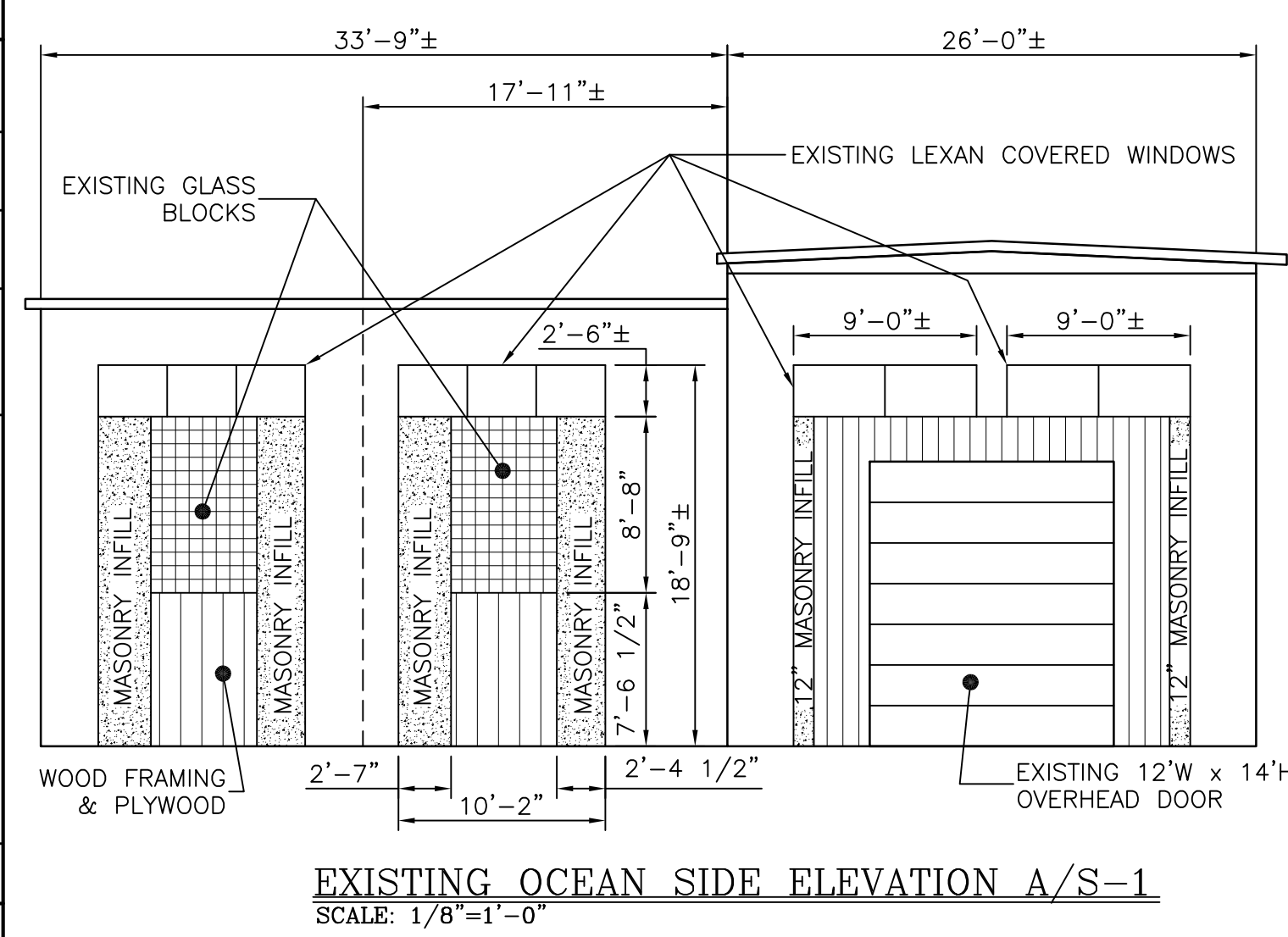


NO.	REVISION	DATE	BY	CK	P.E.



ENGINEERING CONSULTANT - LOGO - ADDRESS
SPAULDING ENGINEERING AND CONSTRUCTION SERVICES, INC.
24 COMMON STREET
WATERVILLE, MAINE

THIS DRAWING SHALL BE REVISED ON THE CADD SYSTEM ONLY

REFERENCE DRAWINGS	

NO.	REVISION	DATE	BY	CK	P. E. / SIMPLIFIED	P. E. No.
0	ISSUED FOR CONSTRUCTION	10/28/11	JFB	DES	DES	6097

Professional Engineer Seal
DANIEL E. SPAULDING
No. 6097
LICENSED PROFESSIONAL ENGINEER
10/28/11

DESIGNED DES
DRAWN JFB
CHECKED DES
APPROVED DES
REVIEWED

2011 ROOF REPAIR & NEW DOORS
PARTIAL ELEVATIONS & DETAILS
PEAKS ISLAND SERVICE CENTER

PEAKS ISLAND MAINE
CENTRAL MAINE POWER COMPANY
IBERDROLA SYSTEM ENGINEERING
USA
DATE: 10/21/2011
SCALE: AS NOTED

626-64-2
REV 0