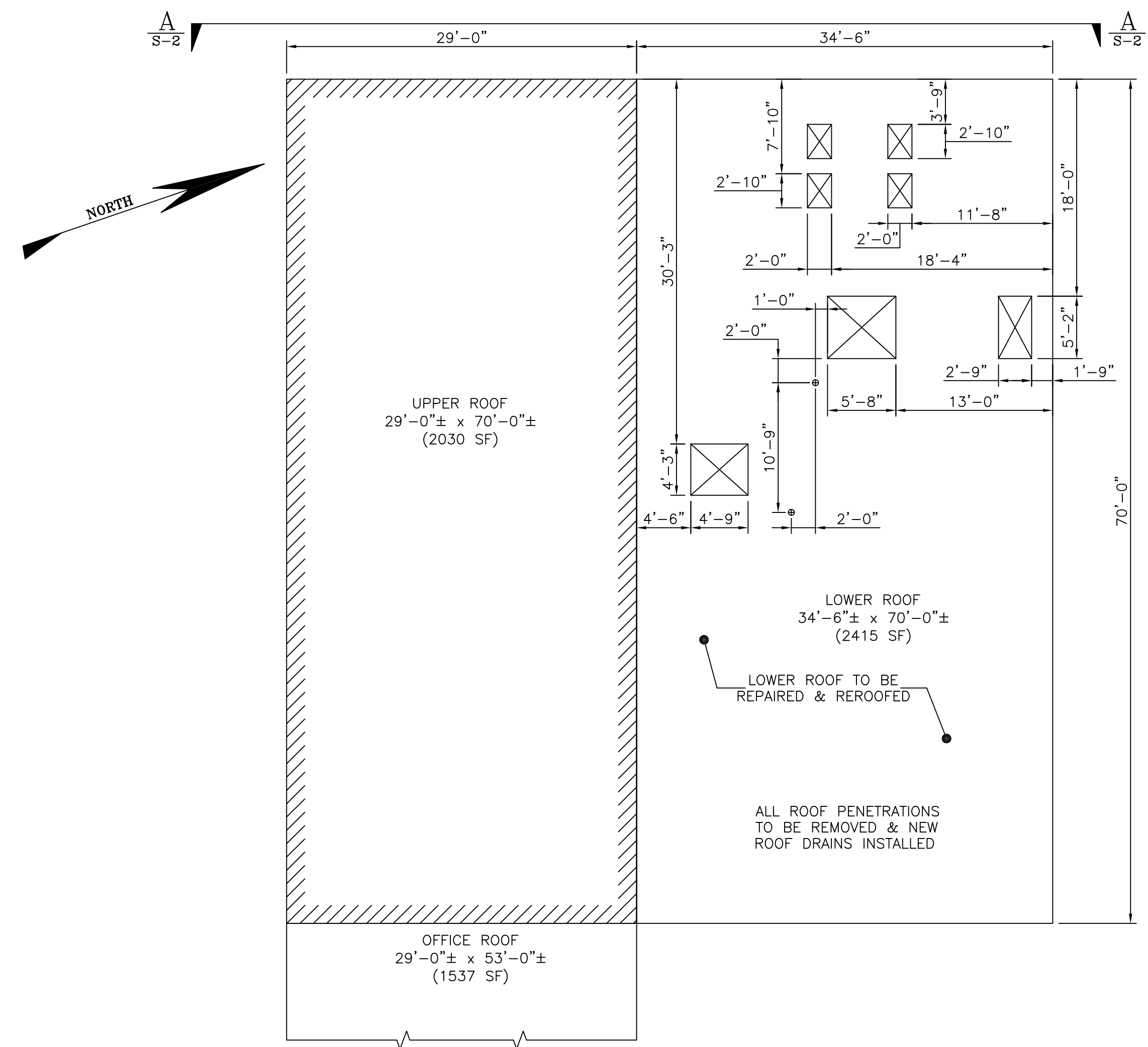


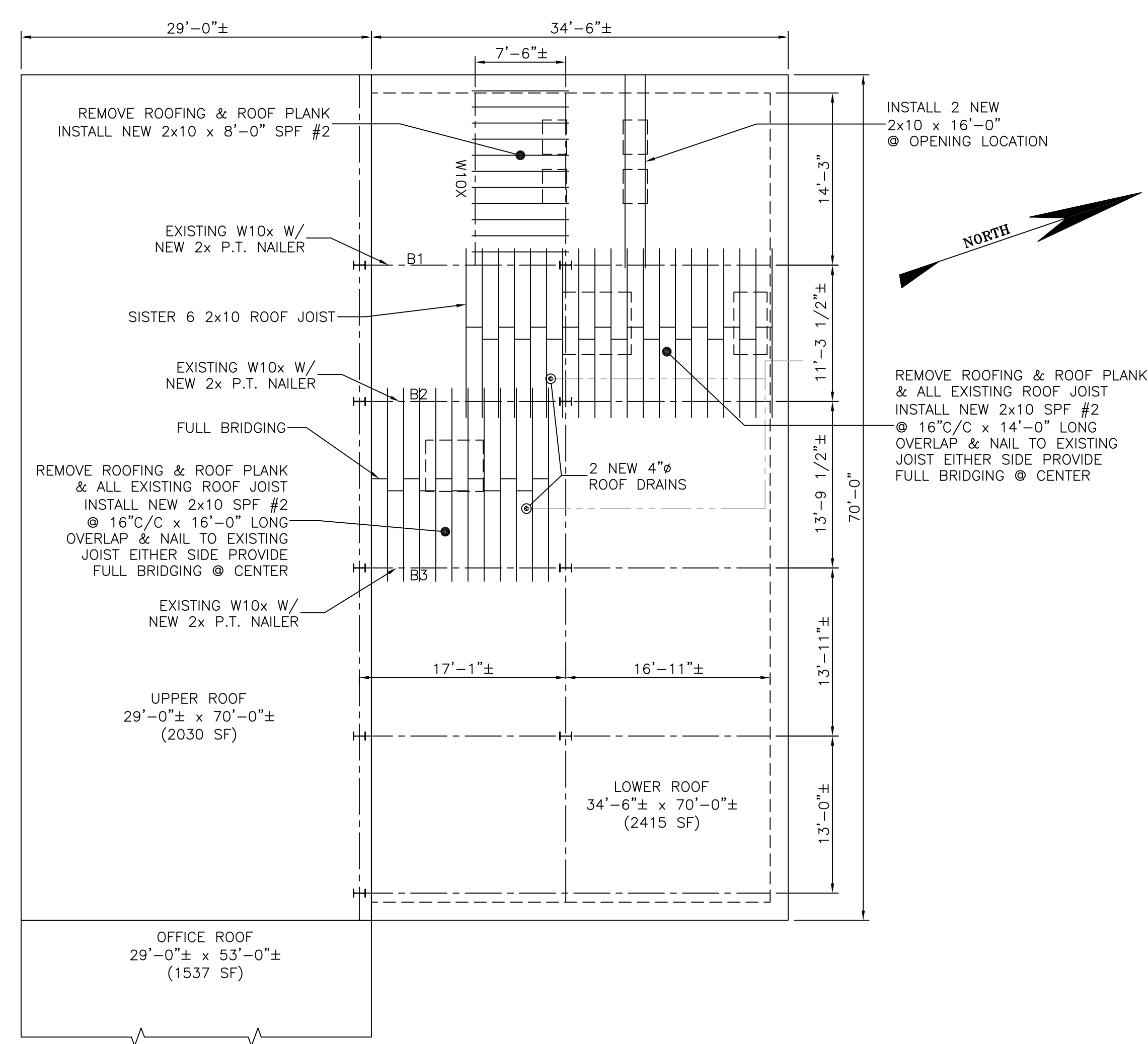
NO.	REVISION	DATE	BY	CK	P.E.

ENGINEERING CONSULTANT - LOGO - ADDRESS
SPAULDING ENGINEERING AND CONSTRUCTION SERVICES, INC.
 24 COMMON STREET
 WATERVILLE, MAINE

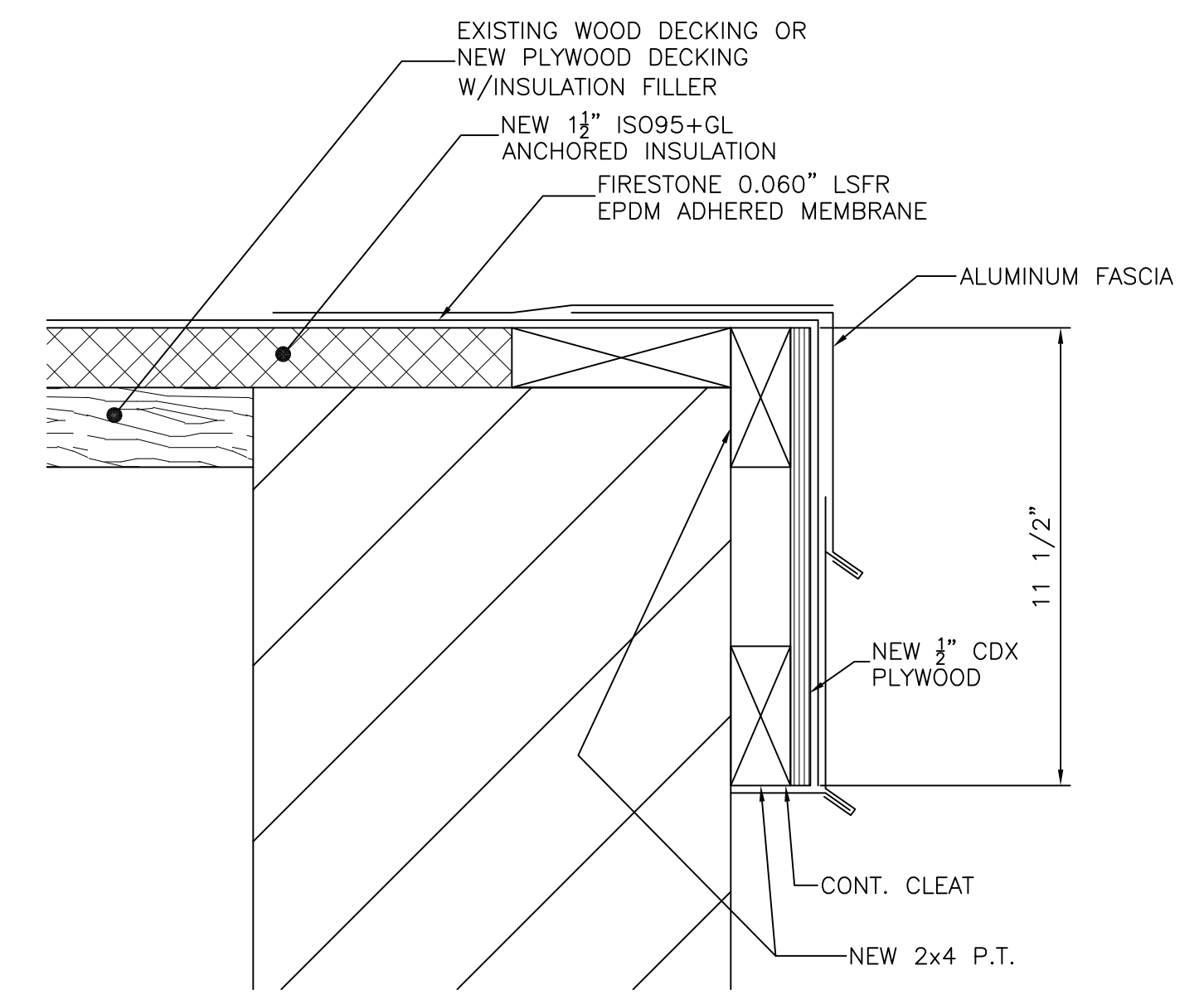
THIS DRAWING SHALL BE REVISED ON THE CADD SYSTEM ONLY



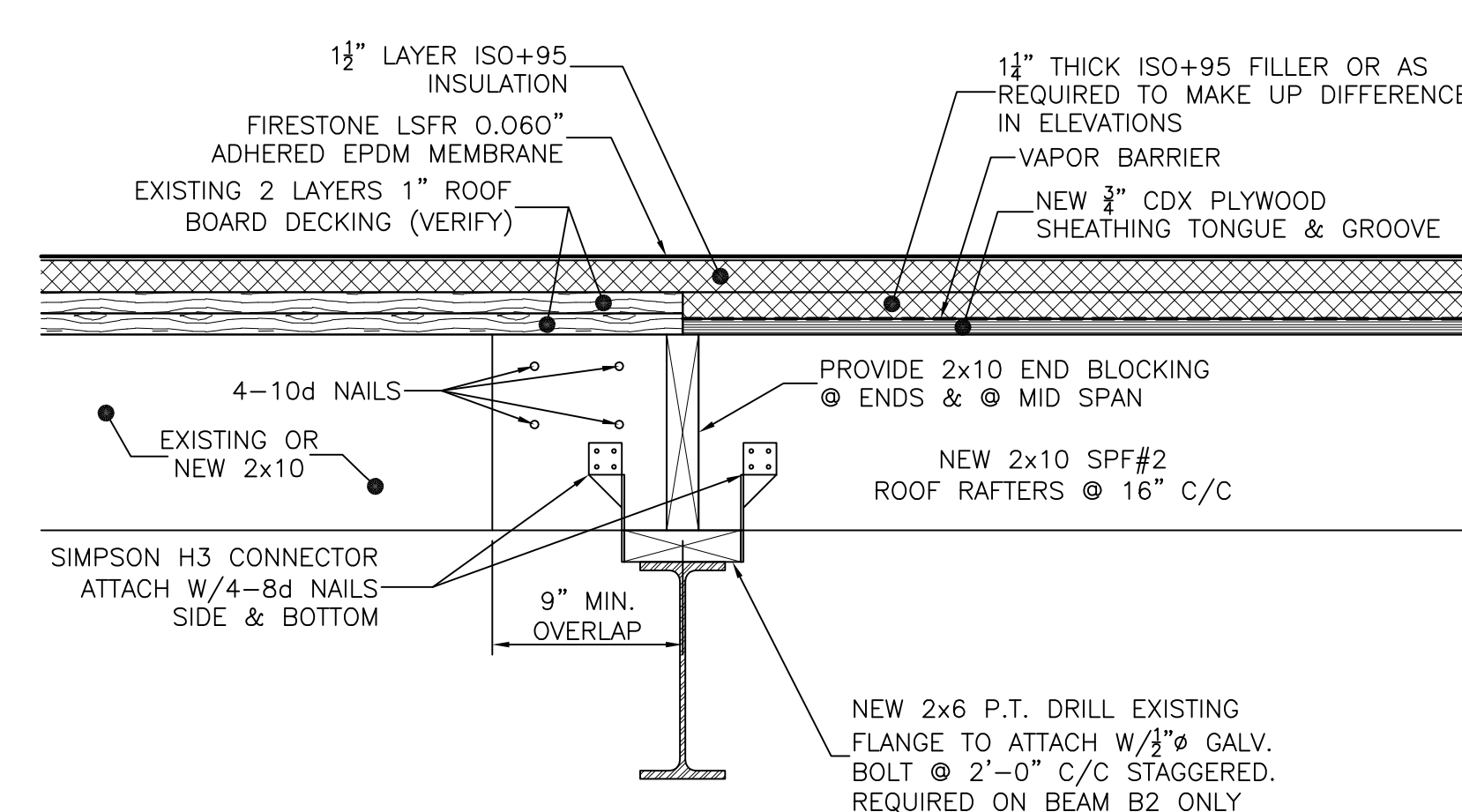
LOWER ROOF PLAN
 SCALE: 1/8"=1'-0"



LOWER ROOF REPAIR PLAN
 SCALE: 1/8"=1'-0"



NEW BUILDING FASCIA DETAIL
 SCALE: 3"=1'-0"



NEW ROOF RAFTER ATTACHMENT DETAIL
 SCALE: 3"=1'-0"

NOTE:
 FASTEN PLYWOOD & EXISTING ROOFING BOARDS TO RAFTERS W/8d COMMON NAILS @ 6" C/C AT ENDS & 12" C/C @ INTERMEDIATE RAFTERS

- NOTES:
1. REMOVE ALL ROOF PENETRATIONS ON LOWER ROOF
 2. PROVIDE 2- NEW ROOF DRAINS.
 3. REPLACE BROKEN ROOF DRAIN PIPING W/SCH. 40 PVC, INSULATE & HEAT TAPE.
 4. PROVIDE ISO+95 INSULATION & NEW 0.060" EPDM ROOFING.

REFERENCE DRAWINGS

S-1

NO.	REVISION	DATE	BY	CK	P. E. No.	P. E. No.
0	ISSUED FOR CONSTRUCTION	10/28/11	JFB	DES	DES	6097

Professional Engineer Seal

 10/28/11

DESIGNED DES
 DRAWN JFB
 CHECKED DES
 APPROVED DES
 REVIEWED DES

2011 ROOF REPAIR & NEW DOORS
 ROOF REPAIR PLANS & DETAILS
 PEAKS ISLAND SERVICE CENTER

PEAKS ISLAND MAINE
 CENTRAL MAINE POWER COMPANY
 IBERDROLA SYSTEM ENGINEERING
 USA DATE: 10/24/2011
 SCALE: AS NOTED

626-64-1
 REV 0