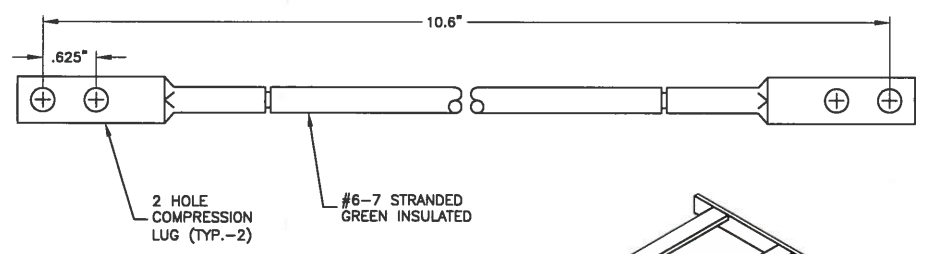


CONNECTION TO GROUND HALO DETAIL 2
SCALE: N.T.S.

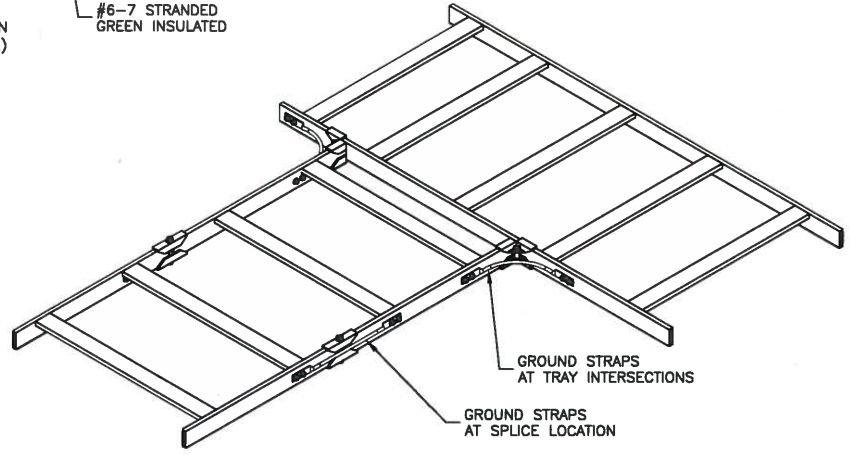
GROUNDING LEGEND	
SYMBOL	DESCRIPTION
▶	EXOTHERMIC WELD
■	MECHANICAL CONNECTION

NOTE:
1. ROOM SCHEMATIC IS NOT REPRESENTATIVE OF ACTUAL ROOM LAYOUT.

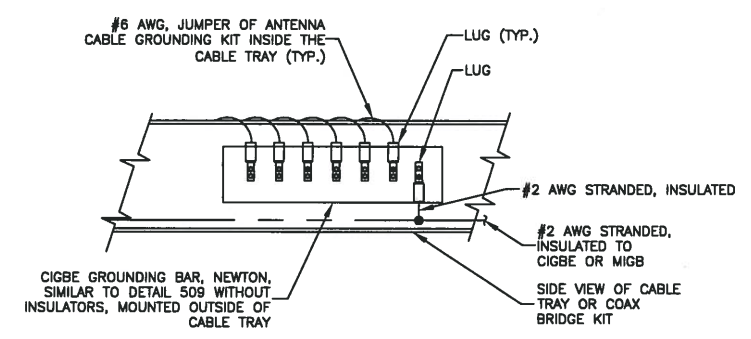
TYPICAL EQUIPMENT ROOM GROUNDING SCHEMATIC 1
SCALE: N.T.S.



- NOTES:
- BONDING KIT BY CHATSWORTH PRODUCTS, INC PN 40164-001 OR EQUAL. KITS TO BE UL LISTED.
 - KIT INCLUDES (4) 1/4"-20x3/4"L STAINLESS STEEL CAP SCREWS, (4) FLAT WASHERS, (4) LOCK WASHERS, (4) NUTS.
 - INSTALL GROUNDING STRAPS AT ALL TRAY SPLICE LOCATIONS AND AT TRAY INTERSECTIONS.



CABLE TRAY BONDING STRAP 4
SCALE: N.T.S.



GROUND BAR MOUNTED ON CABLE TRAY 3
SCALE: N.T.S.

VERIZON WIRELESS
400 FRIBERG PARKWAY
WESTBOROUGH, MA 01581-3956

PORTLAND 6 ME

CONSTRUCTION DRAWINGS

NO.	DATE	DESCRIPTION
2	09/23/14	FOR SUBMITTAL
1	08/25/14	FOR SUBMITTAL
A	08/18/14	FOR COMMENT

Dewberry

Dewberry Engineers Inc.
280 SUMMER STREET
10TH FLOOR
BOSTON, MA 02210
PHONE: 617.695.3400
FAX: 617.695.3310



DRAWN BY:	SK
REVIEWED BY:	GMT
CHECKED BY:	BBR
PROJECT NUMBER:	50002925
JOB NUMBER:	50062235
SITE ADDRESS:	

25 CHURCH AVE
PEAKS ISLAND, ME 04108

SHEET TITLE

GROUNDING SCHEMATIC & DETAILS

SHEET NUMBER