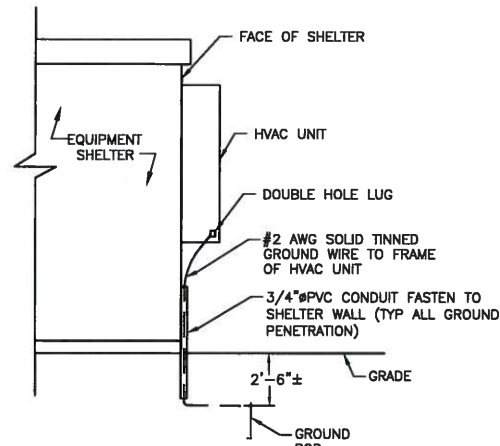


**WALL GROUND PENETRATION**

SCALE: N.T.S.

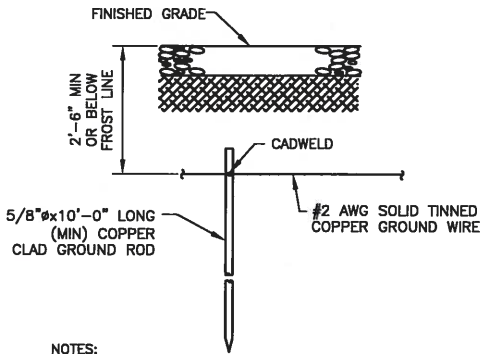
1



**HVAC UNIT GROUND**

SCALE: N.T.S.

2



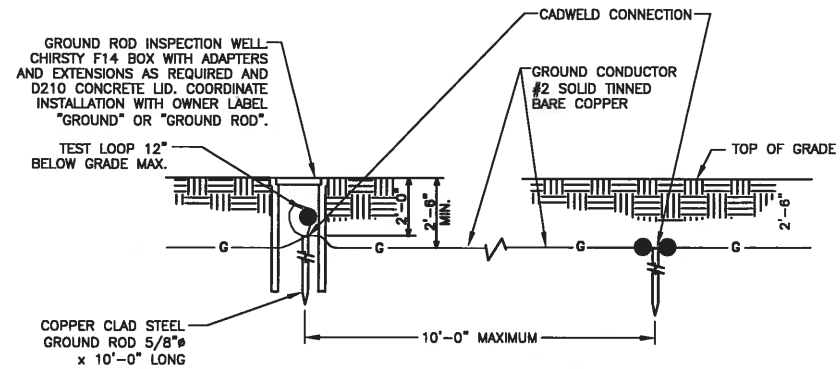
NOTES:

- CADWELD TO GROUND RING AFTER GROUND ROD HAS BEEN DRIVEN INTO PLACE.
- FROST LINE TO BE VERIFIED.

**GROUND ROD**

SCALE: N.T.S.

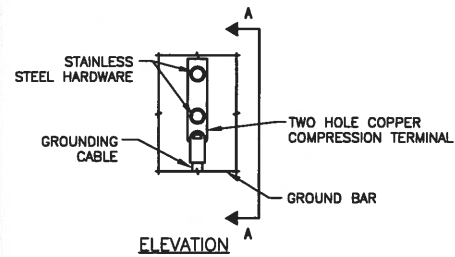
3



**GROUND BOX DETAIL**

SCALE: N.T.S.

4



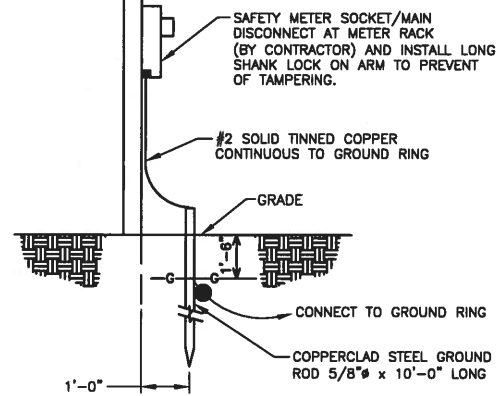
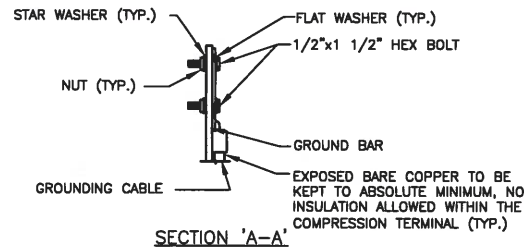
NOTES:

- DOUBLING UP OR STACKING OF CONNECTIONS IS NOT PERMITTED
- OXIDE INHIBITING COMPOUND TO BE USED AT ALL LOCATIONS.

**TYPICAL GROUND BAR MECHANICAL CONNECTION DETAIL**

SCALE: N.T.S.

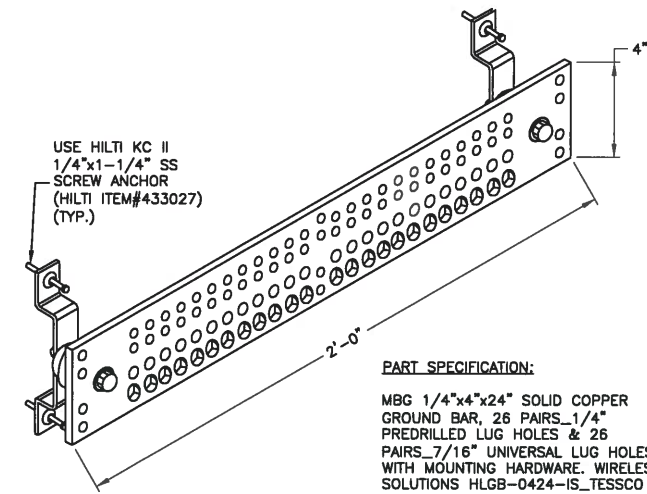
5



**METER SOCKET GROUNDING**

SCALE: N.T.S.

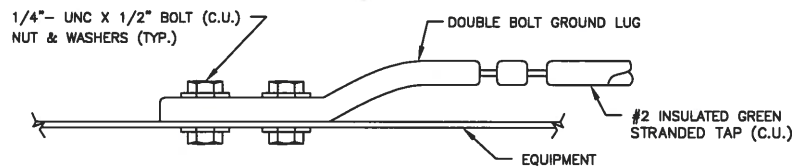
6



**GROUND BAR DETAIL**

SCALE: N.T.S.

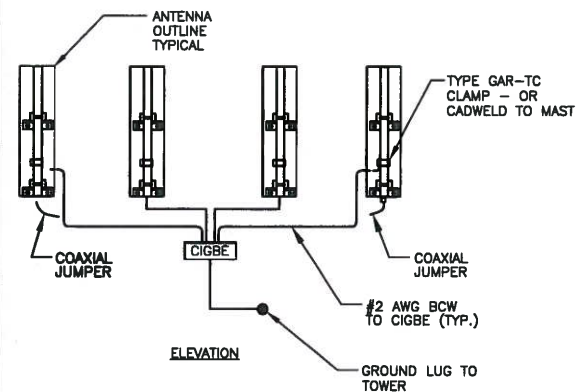
7



**CONNECTION TO EQUIPMENT DETAIL**

SCALE: N.T.S.

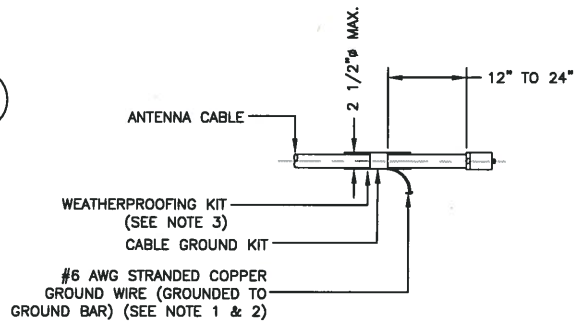
8



**ANTENNA MOUNT GROUNDING DETAIL**

SCALE: N.T.S.

9



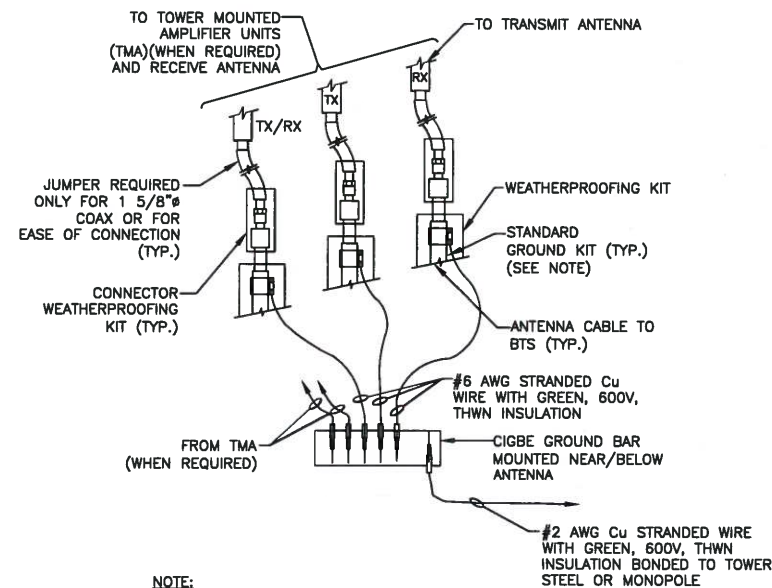
NOTES:

- DO NOT INSTALL CABLE GROUND KIT AT A BEND AND ALWAYS DIRECT GROUND WIRE DOWN TO GROUND BAR.
- GROUNDING KIT SHALL BE ANDREW SUREGROUND TYPE KIT WITH TWO-HOLE LUG.
- WEATHER PROOFING SHALL BE ANDREW TWO-PART TAPE SUPPLIED WITH KIT. COLD SHRINK SHALL NOT BE USED.

**CONNECTION OF CABLE GROUND KIT TO ANTENNA CABLE DETAIL**

SCALE: N.T.S.

10



NOTE:

- DO NOT INSTALL CABLE GROUND KIT AT A BEND AND ALWAYS DIRECT GROUND WIRE DOWN TO CIGBE.

**CONNECTION OF GROUND WIRE TO GROUNDING BAR DETAIL**

SCALE: N.T.S.

11



VERIZON WIRELESS  
400 FRIBERG PARKWAY  
WESTBOROUGH, MA 01581-3956

**PORTLAND 6 ME**

**CONSTRUCTION DRAWINGS**

2	09/23/14	FOR SUBMITTAL
1	08/25/14	FOR SUBMITTAL
A	08/18/14	FOR COMMENT



Dewberry Engineers Inc.  
280 SUMMER STREET  
10TH FLOOR  
BOSTON, MA 02210  
PHONE: 617.885.3400  
FAX: 617.885.3310



DRAWN BY:	MR
REVIEWED BY:	MFT
CHECKED BY:	BBR
PROJECT NUMBER:	50002925
JOB NUMBER:	50062235
SITE ADDRESS	

25 CHURCH AVE  
PEAKS ISLAND, ME 04108

SHEET TITLE

GROUNDING DETAILS

SHEET NUMBER