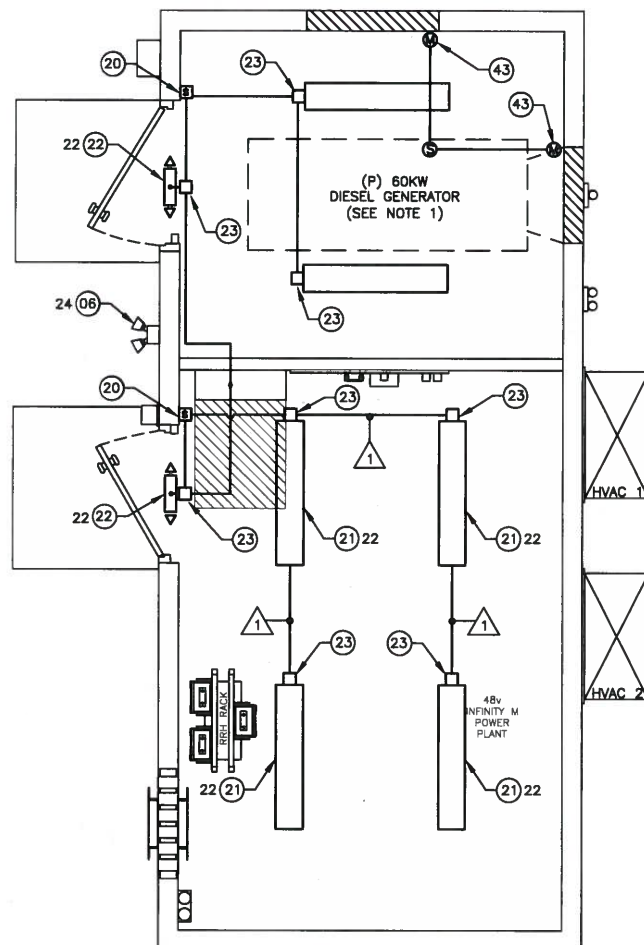


**POWER PLAN**  
 SCALE: 3/16"=1' FOR 11"x17"  
 3/8"=1' FOR 22"x34"  
 1



**LIGHTING PLAN**  
 SCALE: 3/16"=1' FOR 11"x17"  
 3/8"=1' FOR 22"x34"  
 2

**NOTE:**  
 Ⓝ :-REFER TO THIS SHEET FOR BILL OF MATERIALS.  
 # :-REFER TO E-2 SHEET FOR POWER PANEL SCHEDULE.  
 FOR RISER DIAGRAM SEE SHEET E-3.

WIRE & CONDUIT SPECIFICATIONS	
⚠	2#12 & 1#12G IN 3/4" C (EMT)

**NOTE:**  
 1. PROVIDE DIESEL GENERATOR CLEARANCE & PLUMBING AS REQUIRED PER VERIZON WIRELESS C.M. & MANUFACTURER RECOMMENDATIONS.

**BILL OF MATERIALS**

01	AIRYSY 3.5 TON WALL PACK UNIT (WPU) P/N 13E1C3-5K (SEE PAGE M-1)
02	AIRYSY 3.5 TON WALL PACK UNIT (WPU) P/N BE1C2-5K
03	LEADLAG CONTROLLER, AIRSYS P/N ASLLC.2
04	INTEGRATED LOAD CENTER (ILC) 200A, 600 VAC SERIES WITH AUTOMATED TRANSFER SWITCH
05	AUTOMATIC TRANSFER SWITCH, 200A-1 PHASE-3 WIRE- NOT USED
06	HEATH ZENITH 240° HALOGEN MOTION SENSING SECURITY LIGHT, P/N SL-5597-WH OR APPROVED EQUAL
07	MICROFLECT COAX ENTRY, 16 PORT, SEE DETAIL 3/C-3
08	TELCO ALARM BOX 16"x12"x16" NEMA 1
09	L-18-4-3070, 3'X7' DOOR, FRAME, AND HARDWARE (OR APPROVED EQUAL SEE CONSTRUCTION NOTE 1 ON G-1)
10	LOCKSET WITH REMOVABLE CORE (COORDINATE WITH VERIZON CM)
11	TELCO BOARD, 3/4"x4'-0"x8'-0" AC PAINTED WHITE
12	MBG 1/4"x4"x24" SOLID COPPER GROUND BAR, 26 PAIRS 1/4" PREDRILLED LUG HOLES & 26 PAIRS 7/16" UNIVERSAL LUG HOLES WITH MOUNTING HARDWARE. WIRELESS SOLUTIONS HLGB-0424-IS_TESSCO SKU 431411
13	MBG 1/4"x4"x24" SOLID COPPER GROUND BAR, 26 PAIRS 1/4" PREDRILLED LUG HOLES & 26 PAIRS 7/16" UNIVERSAL LUG HOLES WITH MOUNTING HARDWARE. WIRELESS SOLUTIONS HLGB-0424-IS_TESSCO SKU 431411
14	TELCO GROUND BAR, 2"x14"x1/4" SOLID COPPER GROUND BAR, 15 PAIRS OF 7/16" UNIVERSAL LUG HOLES WITH MOUNTING HARDWARE. WIRELESS SOLUTIONS HLGB-0214-IS_TESSCO SKU 410529
15	QUAD RECEPTACLES, 20 AMP - (2) TWO HUBBELL P/N 5362W W/ P82W PLATE
16	RECEPTACLE, 20A, 120V, TWISTLOCK - HUBBELL P/N 2310 W/ P720W PLATE
17	SQUARE D HU361RB, 60A, NEMA 3R NON-FUSED SAFETY SWITCH
18	HUBBELL #6FR5362WA, 20A, 120V GFCI RECEPTACLE (PLATE INCLUDED)
19	DOOR INTRUSION ALARM
20	INTERIOR LIGHT SWITCH, 20 AMP HUBBELL P/N 1221 W/ P/N P1N WALL PLATE
21	7"W X 48"L COOPER LED LIGHTING PN: VT-LD2-55DR-120V-LB35-U WITH VT2-CHAIN SET
22	EMERGENCY LIGHT/EXIT SIGN, LITHONIA QUANTUM P/N LHQMSW3R
23	4"x4" JUNCTION BOX
24	SMOKE DETECTOR 120/12V
25	ALARM BLOCK, 100 TERMINAL (SIEMENS PIN 566B450MH49)
26	HIGH TEMPERATURE ALARM, DAYTON 1UHH2
27	LOW TEMPERATURE ALARM, DAYTON 1UHH2
28	MAGNETIC DOOR ALARM CONTACTS
29	HUBBELL #6FR5362WA, 20A, 120V GFCI RECEPTACLE (PLATE INCLUDED)
30	10LB CO2 FIRE EXTINGUISHER, MOUNTING BRACKET AND SIGNAGE - SEE SHEET FS-1
31	EYE WASH STATION, DUAL 32 OZ BOTTLE
32	CORD REEL - 30 FOOT; 3 OUTLET
33	GENERATOR FUEL FILL BOX (INSTALL PER GENERATOR MANUFACTURER RECOMMENDATIONS)
34	2" BLACK SCH. 40 PIPE (INSTALL PER GENERATOR MANUFACTURER RECOMMENDATIONS)
35	2" VENT TO OUTSIDE (INSTALL PER GENERATOR MANUFACTURER RECOMMENDATIONS)
36	3" NPT EMERGENCY VENT TO OUTSIDE (INSTALL PER GENERATOR MANUFACTURER RECOMMENDATIONS)
37	3" NPT SECONDARY EMERGENCY VENT TO OUTSIDE (INSTALL PER GENERATOR MANUFACTURER RECOMMENDATIONS)
38	GENERATOR EXHAUST PIPE WITH RAIN CAP (INSTALL PER GENERATOR MANUFACTURER RECOMMENDATIONS)
39	GALVANIZED 4"x4" WIREWAY TERMINATED WITH 10" LONG, 1" LFMC DROPS WITH 45° CONNECTORS FOR (2#B & 1#BG) FEEDER CIRCUITS
40	L-18-4-4070, 4'X7' DOOR, FRAME, AND HARDWARE (OR APPROVED EQUAL SEE SHELTER NOTE 1 ON GN-1)
41	30" LOUVER DAYTON, (P/N 3C309), ALUMINUM
42	42" LOUVER DAYTON, (P/N 3C311), ALUMINUM
43	DOUBLE PANEL WALL SHUTTER MOTOR PACK, DAYTON, (P/N 24N065)
44	INSTALL DUCT TO EXHAUST LOUVER PER MANUFACTURER'S RECOMMENDATIONS



VERIZON WIRELESS  
 400 FRIBERG PARKWAY  
 WESTBOROUGH, MA 01581-3956

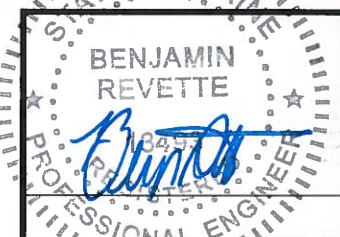
**PORTLAND 6 ME**

**CONSTRUCTION DRAWINGS**

NO.	DATE	DESCRIPTION
2	09/23/14	FOR SUBMITTAL
1	08/25/14	FOR SUBMITTAL
A	08/18/14	FOR COMMENT



Dewberry Engineers Inc.  
 280 SUMMER STREET  
 10TH FLOOR  
 BOSTON, MA 02210  
 PHONE: 617 695 3400  
 FAX: 617 695 3310



DRAWN BY:	MR
REVIEWED BY:	MFT
CHECKED BY:	BBR
PROJECT NUMBER:	50002925
JOB NUMBER:	50062235
SITE ADDRESS:	

25 CHURCH AVE  
 PEAKS ISLAND, ME 04108

SHEET TITLE

POWER & LIGHTING PLANS

SHEET NUMBER

E-1