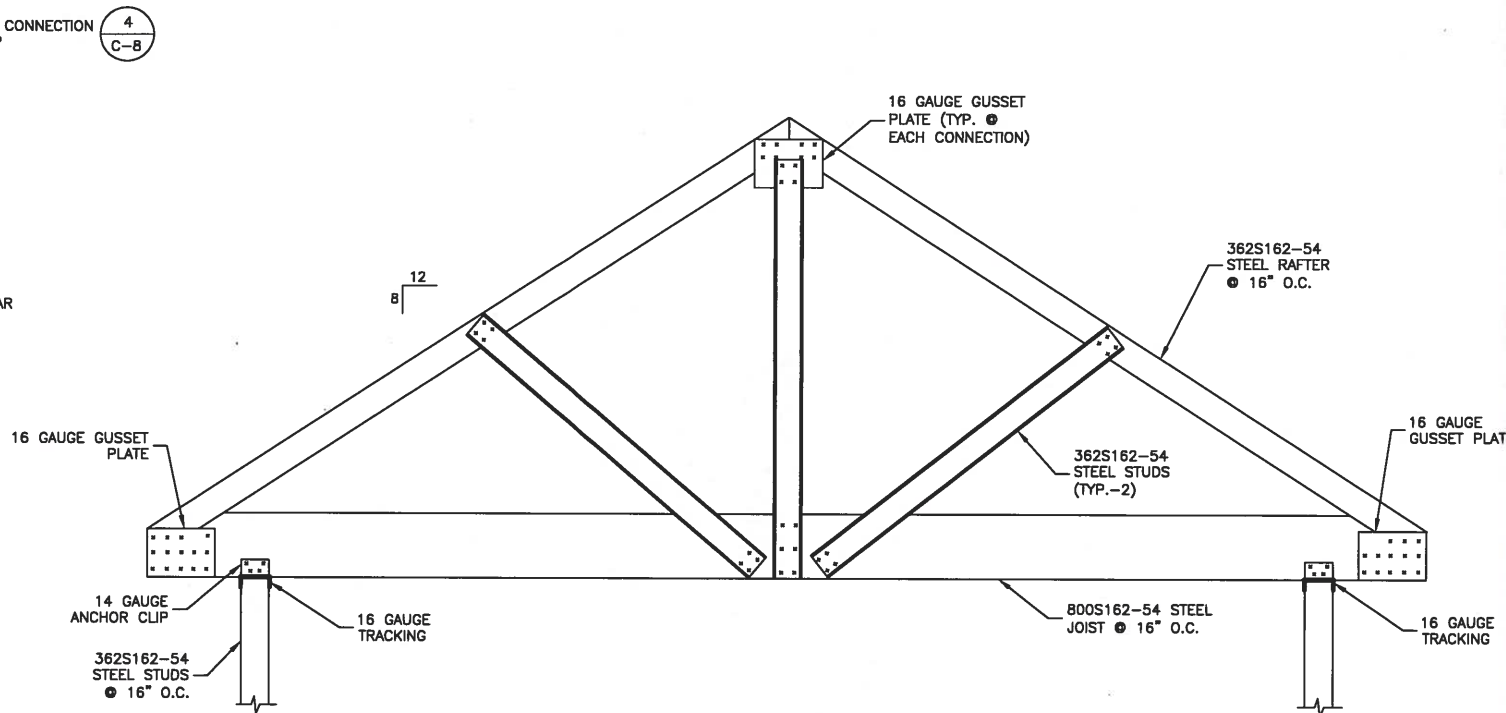


NOTE:

1. ONLY ONE SET OF STRAPPING REQUIRED ON DOOR SIDE WALL.
2. ACCOMMODATE FOR DOORS ON THE EQUIPMENT, GENERATOR ROOMS AND VENT FRAMING NOT SHOWN.

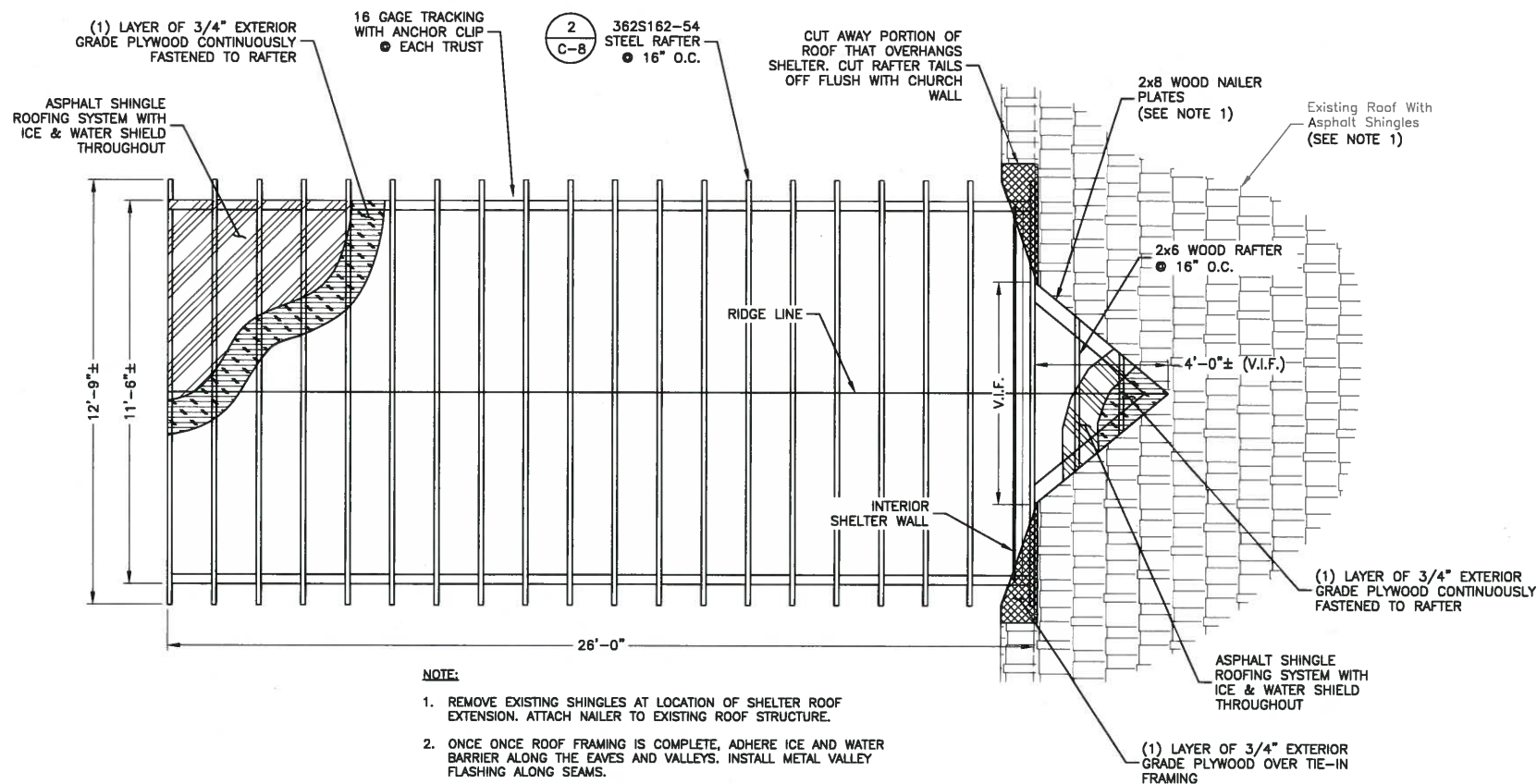
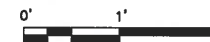
LONG WALL BRACING

SCALE: 3/16"=1' FOR 11'x17"
3/8"=1' FOR 22'x34"



ROOF TRUSS SYSTEM - DETAIL

SCALE: 1/2"=1' FOR 11'x17"
1"=1' FOR 22'x34"

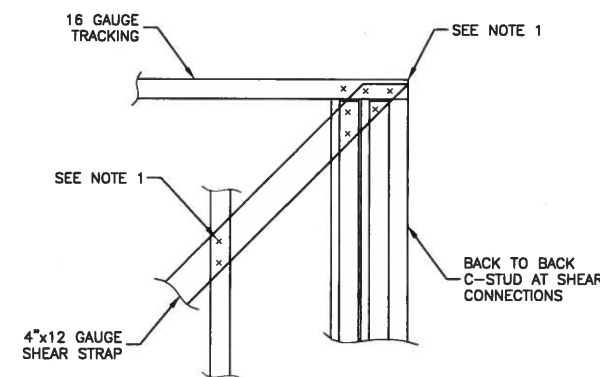


NOTE:

1. REMOVE EXISTING SHINGLES AT LOCATION OF SHELTER ROOF EXTENSION. ATTACH NAILER TO EXISTING ROOF STRUCTURE.
2. ONCE ONCE ROOF FRAMING IS COMPLETE, ADHERE ICE AND WATER BARRIER ALONG THE EAVES AND VALLEYS. INSTALL METAL VALLEY FLASHING ALONG SEAMS.
3. INSTALL NEW SINGLES TO MATCH EXISTING ROOF SYSTEM.

ROOF PLAN

SCALE: 3/16"=1' FOR 11'x17"
3/8"=1' FOR 22'x34"



NOTE:

1. INTERMEDIATE STUDS TO BE ATTACHED WITH NO. 8x5/8" WAFER HEAD SELF DRILLING SCREWS WITH FENDER WASHERS. TYP.-ALL SHEAR STRAP CONNECTION POINTS.

SHEAR CONNECTION @ TOP & BOTTOM

SCALE: N.T.S.



VERIZON WIRELESS
400 FRIBERG PARKWAY
WESTBOROUGH, MA 01581-3956

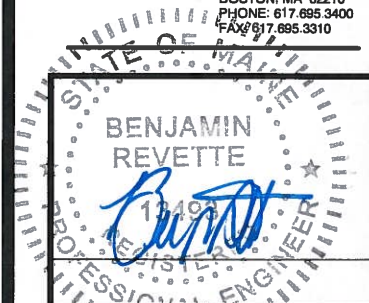
PORTLAND 6 ME

CONSTRUCTION DRAWINGS

2	09/23/14	FOR SUBMITTAL
1	08/25/14	FOR SUBMITTAL
A	08/18/14	FOR COMMENT



Dewberry Engineers Inc.
280 SUMMER STREET
10TH FLOOR
BOSTON, MA 02210
PHONE: 617.695.5400
FAX: 617.695.3310



DRAWN BY:	MR
REVIEWED BY:	MFT
CHECKED BY:	BBR
PROJECT NUMBER:	50002925
JOB NUMBER:	50062235
SITE ADDRESS	

25 CHURCH AVE
PEAKS ISLAND, ME 04108

SHEET TITLE

SHELTER FRAMING
ELEVATIONS & DETAILS

SHEET NUMBER