

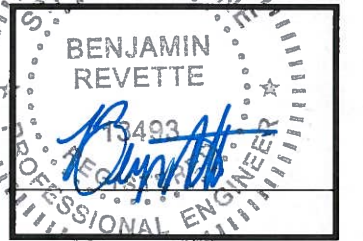
PORTLAND 6 ME

CONSTRUCTION DRAWINGS

2	09/23/14	FOR SUBMITTAL
1	08/25/14	FOR SUBMITTAL
A	08/18/14	FOR COMMENT



Dewberry Engineers Inc.
280 SUMMER STREET
10TH FLOOR
BOSTON, MA 02210
PHONE: 617 695 5400
FAX: 617 695 3310



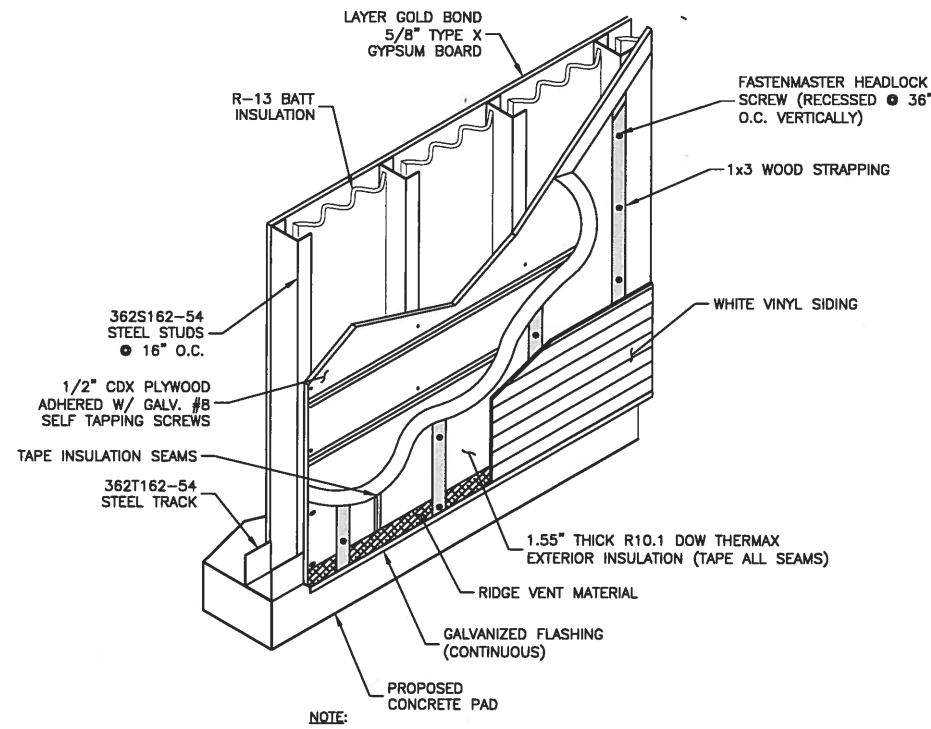
DRAWN BY:	MR
REVIEWED BY:	MFT
CHECKED BY:	BBR
PROJECT NUMBER:	50002925
JOB NUMBER:	50062235
SITE ADDRESS	

25 CHURCH AVE
PEAKS ISLAND, ME 04108

SHEET TITLE

WALL SECTION DETAILS

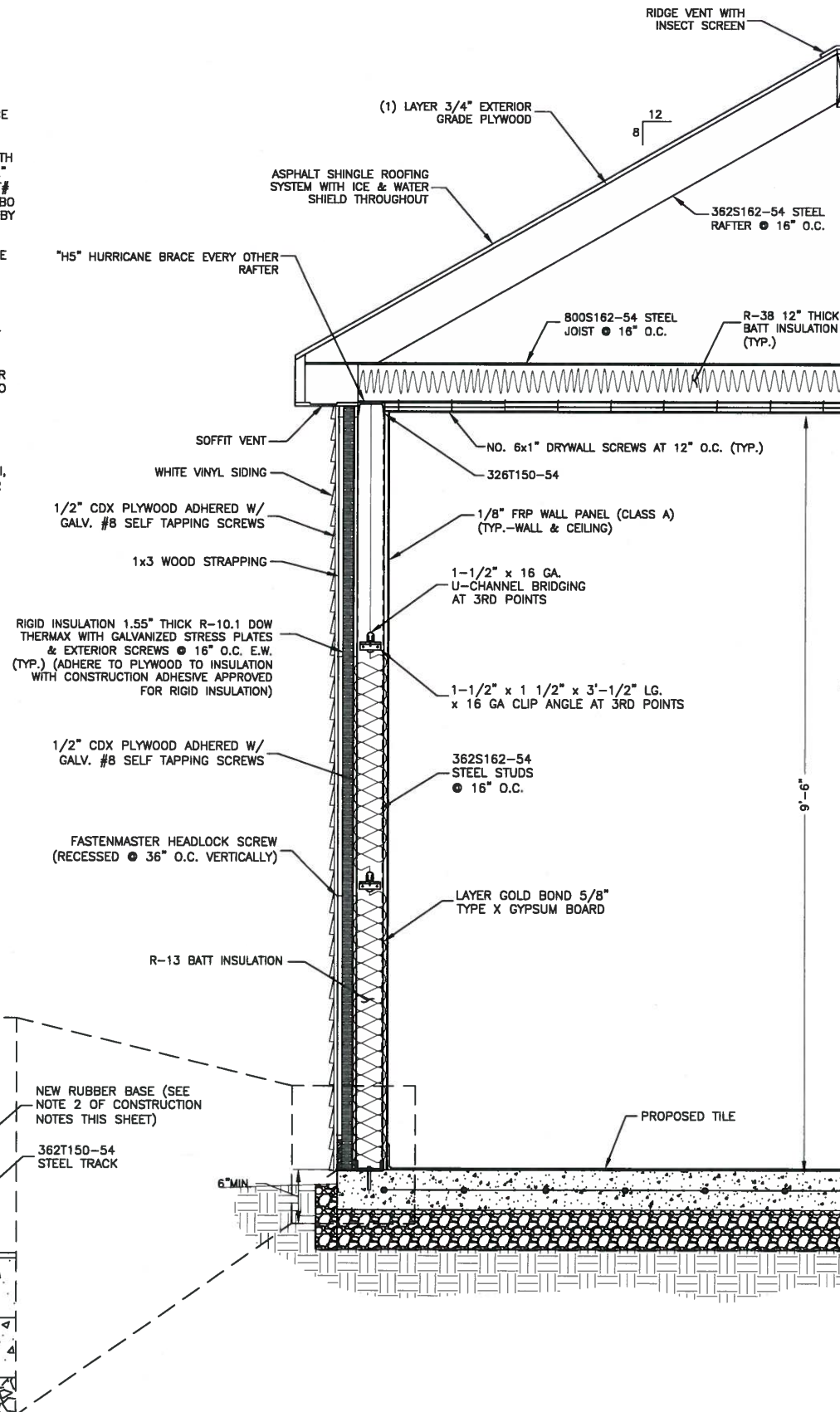
SHEET NUMBER



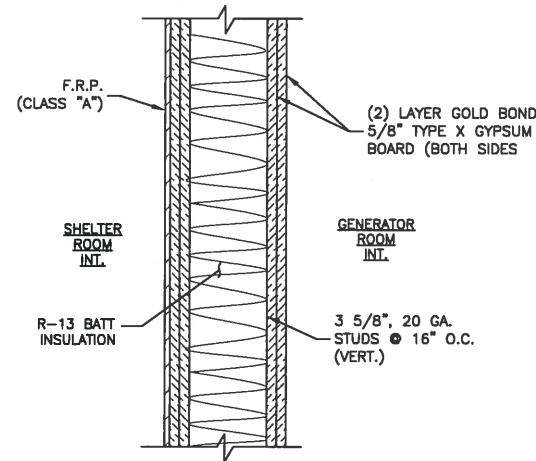
EXTERIOR WALL SECTION
SCALE: N.T.S.

CONSTRUCTION NOTES:

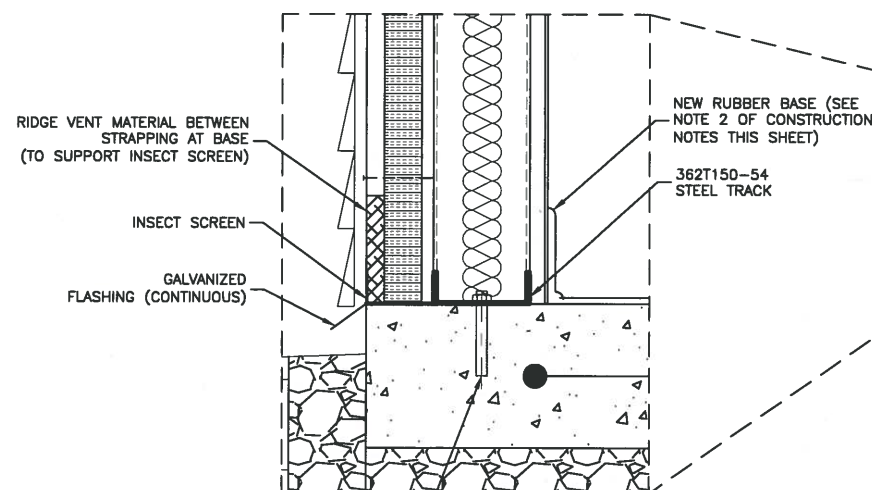
- DOORS SHALL BE A STEELCRAFT STEEL UNIT, L-SERIES TYPE, OR APPROVED EQUAL, (1) 3'X7' (EQUIPMENT ENTRANCE DOOR) & (1) 4'X7' (GENERATOR ENTRANCE DOOR). UNITS SHALL BE INSULATED AND WEATHER-STRIPPED, WITH ALUMINUM THRESHOLD, STANLEY 4 1/2" X 4 1/2" BALL BEARING HINGES (PART# FBB179), AND LOCK PUSHBUTTON COMBO SIMPLEX, LOCATION TO BE SPECIFIED BY VERIZON REPRESENTATIVE. THE DOOR SHALL BE SET IN A 18 GAUGE STEEL FRAME. BOTH DOOR & FRAME SHALL BE FACTORY PAINTED AND SHALL HAVE A FIRE RATING OF 2 HOURS, MINIMUM. WWW.SECURITYTECHNOLOGIES.COM
- CONTRACTOR SHALL INSTALL NEW RESILIENT FLOOR TILE WITHIN LIMITS OF EQUIPMENT ROOM AS FOLLOWS:
PREPARATION - CONTRACTOR SHALL CLEAN AND DEGREASE CONCRETE FLOOR AND PREPARE FLOOR AS NECESSARY TO RECEIVE NEW RESILIENT FLOOR TILE.
FLOOR TILE - NEW VCT FLOOR TILE SHALL BE ASTM F1066 12"x12"x1/8" THICK, ARMSTRONG IMPERIAL TEXTURE TILE #51836, COLOR-SHELTER WHITE. BASE - PROVIDE FS SS-W-40, TYPE II, 4" H. ROPPE VINYL COVE BASE, COLOR BLACK.



WALL SECTION DETAIL
SCALE: N.T.S.



PARTITION WALL DETAIL
SCALE: N.T.S.



1/2" THREADED ROD WITH 3" EMBEDMENT @ 1'-6" O.C.