

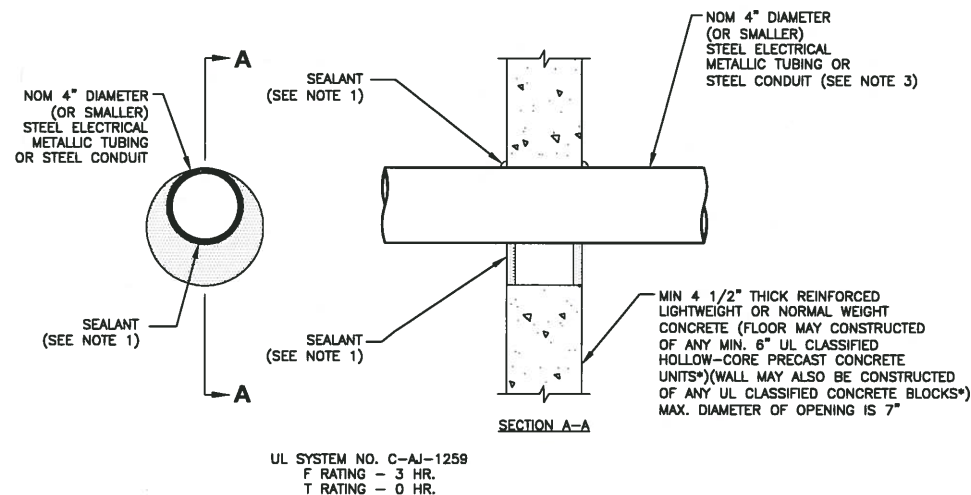
**NOTES:**

1. ALL COAX SUPPORT SPACING: 4'-0" MAX.
2. ALL CONDUIT SUPPORT SPACING: 10'-0" MAX.

**CABLE/CONDUIT SUPPORT**

SCALE: N.T.S.

1



**NOTES:**

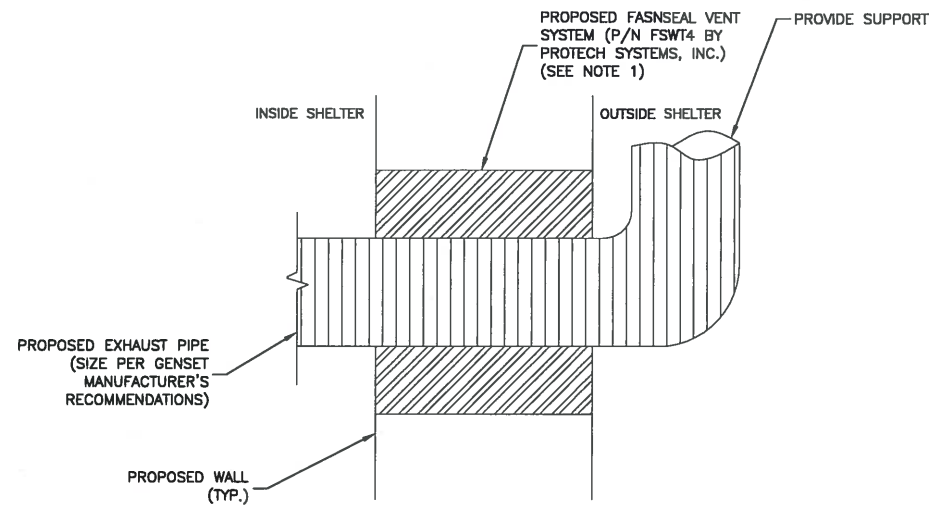
1. FILL, VOID OR CAVITY MATERIAL\* - SEALANT - MIN. 1/2" THICKNESS OF FILL MATERIAL APPLIED WITHIN THE ANNULUS, FLUSH WITH BOTH SURFACES OF FLOOR OR WALL. AT THE POINT CONTACT LOCATION BETWEEN PENETRATING ITEM AND CONCRETE, A MIN. 1/4" THICK BEAD OF FILL MATERIAL SHALL BE APPLIED AT THE CONCRETE/ PENETRATING ITEM INTERFACE ON BOTH SIDES OF FLOOR OR WALL.
2. FORMING MATERIAL - (OPTIONAL, NOT SHOWN) - MINERAL WOOL BATT PACKING MATERIAL OR POLYURETHANE BACKER ROD FITTED INTO OPENING AND RECESSED FROM FLOOR OR WALL SURFACES AS REQUIRED TO ACCOMMODATE THICKNESS OF FILL MATERIAL.
3. ONE CONDUIT TO BE INSTALLED EITHER CONCENTRICALLY OR ECCENTRICALLY WITHIN THE FIRESTOP SYSTEM. THE ANNULAR SPACE BETWEEN THE CONDUIT AND THE PERIPHERY OF THE OPENING SHALL BE A MIN. OF 0" (POINT OF CONTACT) TO A MAX. OF 3". CONDUIT TO BE RIGIDLY SUPPORTED ON BOTH SIDES OF FLOOR OR WALL ASSEMBLY.

\* BEARING THE UL CLASSIFICATION MARK.

**CORING DETAIL**

SCALE: N.T.S.

4



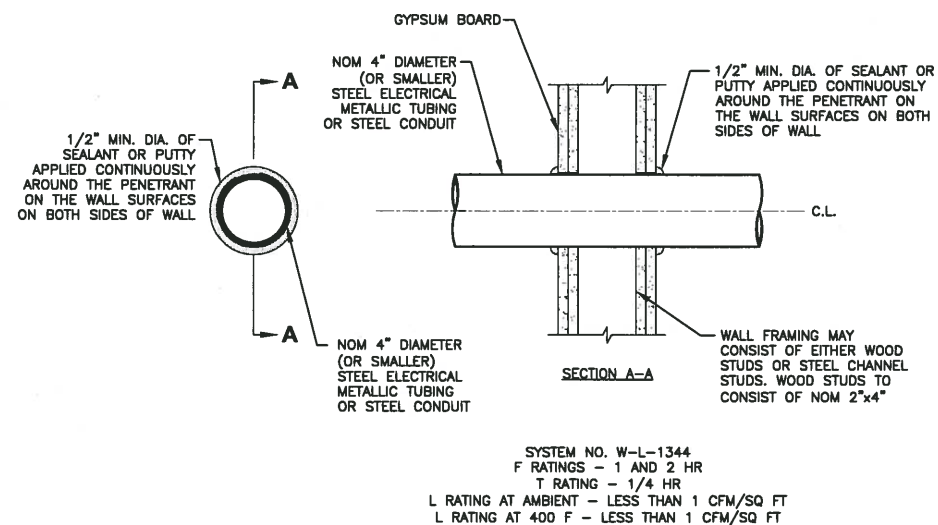
**NOTE:**

1. INSTALL WALL THIMBLE SYSTEMS PER MANUFACTURER'S RECOMMENDATIONS.

**WALL THIMBLE INSTALLATION**

SCALE: N.T.S.

3



**NOTES:**

1. THE 1 AND 2 HOUR FIRE RATED GYPSUM WALL BOARD/STUD WALL ASSEMBLY SHALL BE CONSTRUCTED OF THE MATERIALS & MANNER SPECIFIED IN THE INDIVIDUAL U300 OR U400 SERIES WALL & PARTITION DESIGNS IN THE UL FIRE RESISTANCE DIRECTORY.
2. 5" DIAMETER OPENING MAX.

**SECTION - THROUGH PENETRATION FIRESTOP SYSTEM**

SCALE: N.T.S.

5



VERIZON WIRELESS  
400 FRIBERG PARKWAY  
WESTBOROUGH, MA 01581-3956

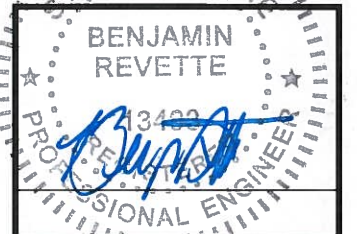
**PORTLAND 6 ME**

**CONSTRUCTION DRAWINGS**

NO.	DATE	DESCRIPTION
2	09/23/14	FOR SUBMITTAL
1	08/25/14	FOR SUBMITTAL
A	08/18/14	FOR COMMENT



Dewberry Engineers Inc.  
280 SUMMER STREET  
10TH FLOOR  
BOSTON, MA 02210  
PHONE: 617 885 3400  
FAX: 617 885 3310



DRAWN BY:	SK
REVIEWED BY:	MFT
CHECKED BY:	BBR
PROJECT NUMBER:	50002925
JOB NUMBER:	50062235
SITE ADDRESS	

25 CHURCH AVE  
PEAKS ISLAND, ME 04108

SHEET TITLE

CONSTRUCTION  
DETAILS - III

SHEET NUMBER

C-6