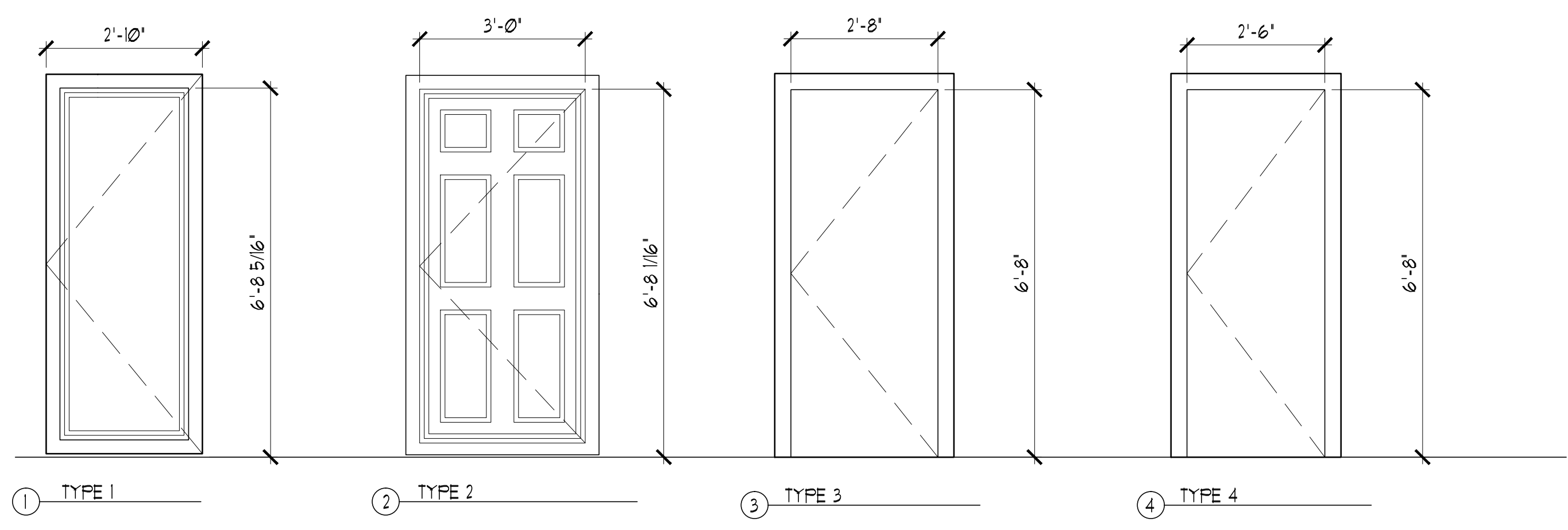
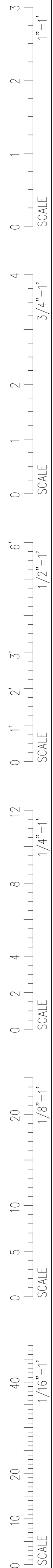
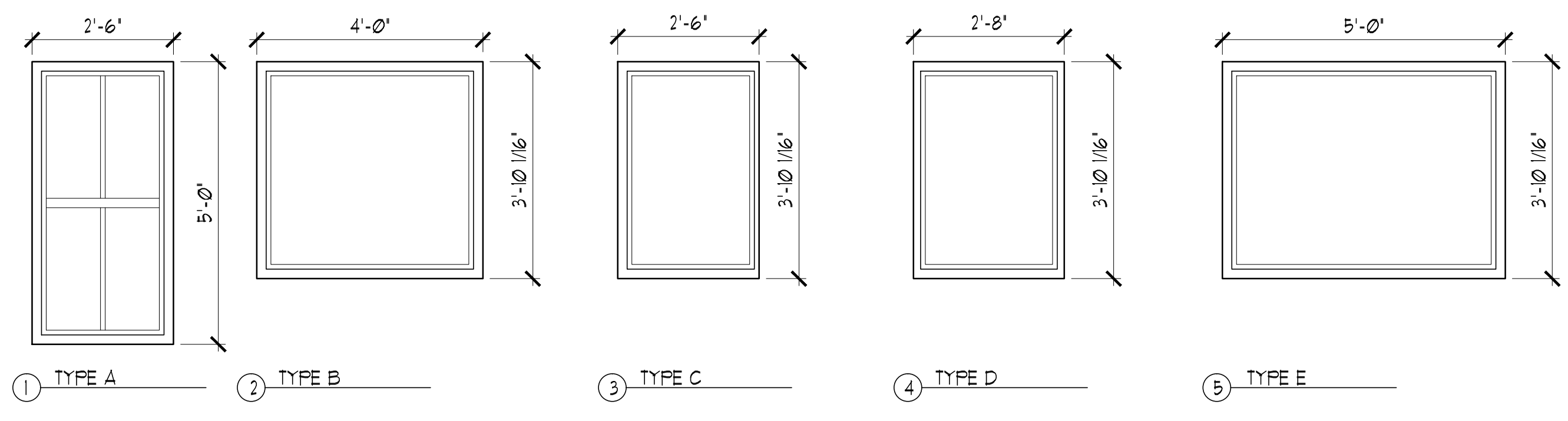


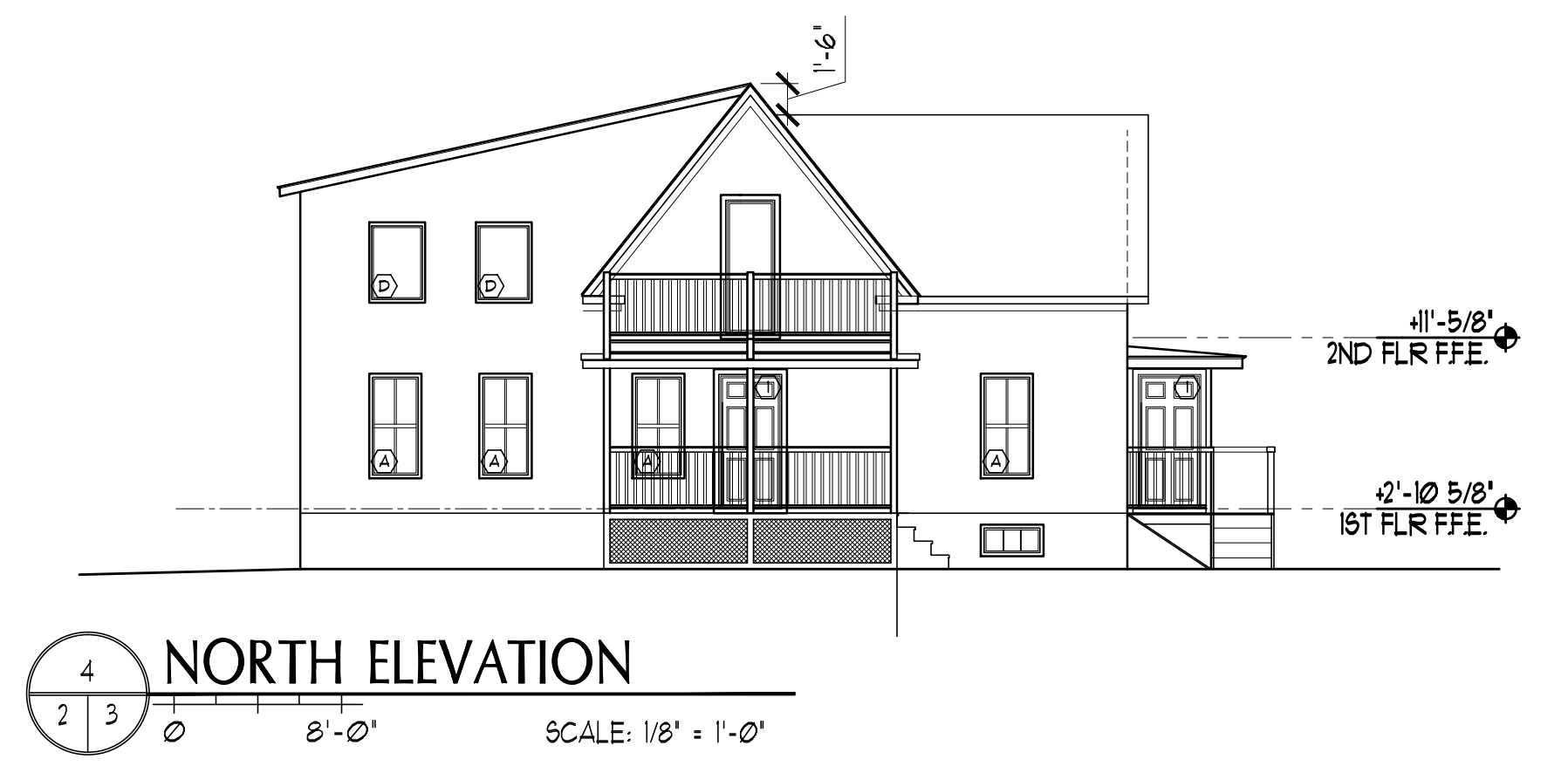
IF THIS SHEET IS NOT 24 X 36 IT IS A REDUCED SCALE PRINT - SCALE ACCORDINGLY



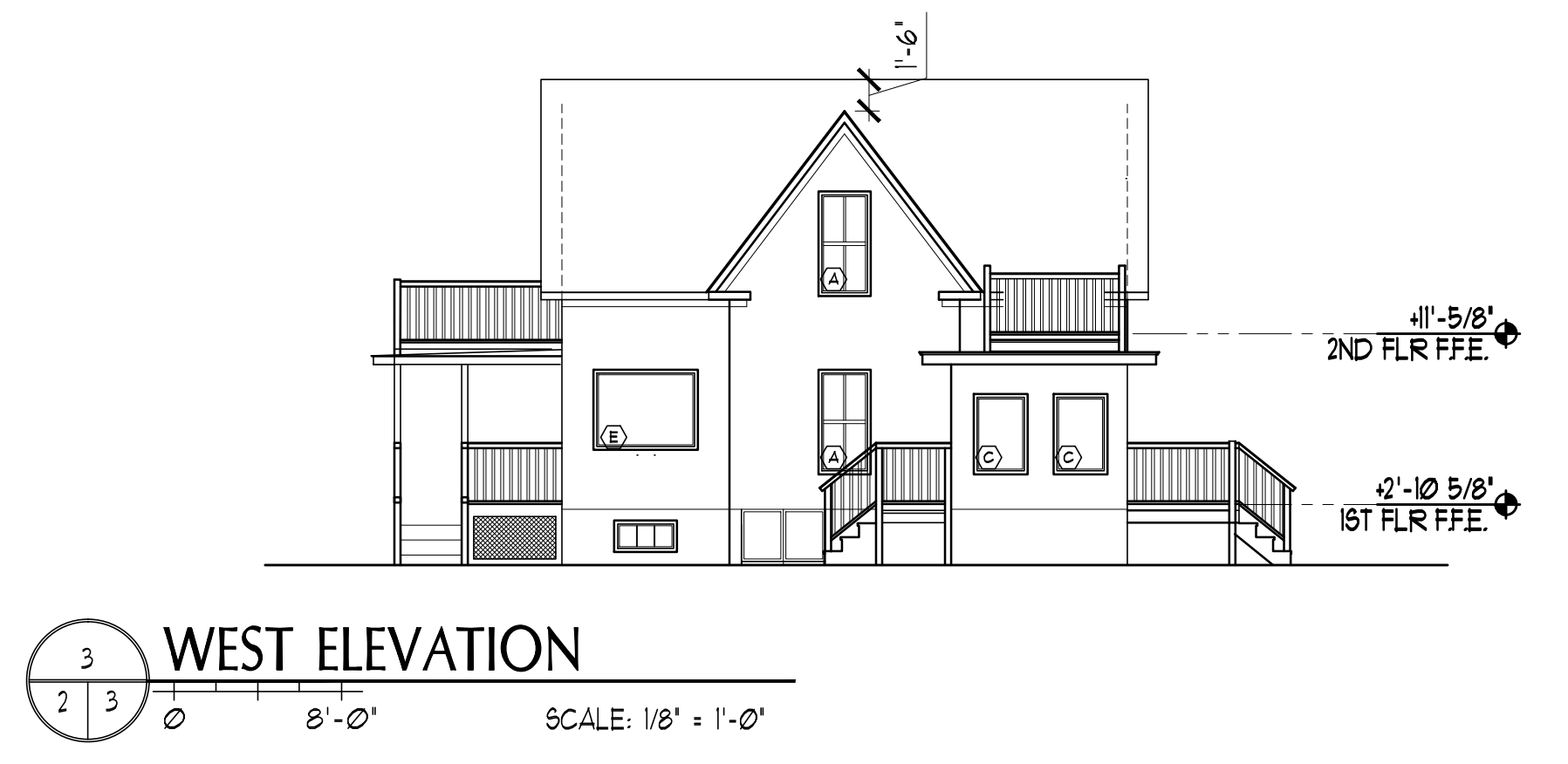
6 DOOR SCHEDULE
SCALE: 1/2" = 1'-0"



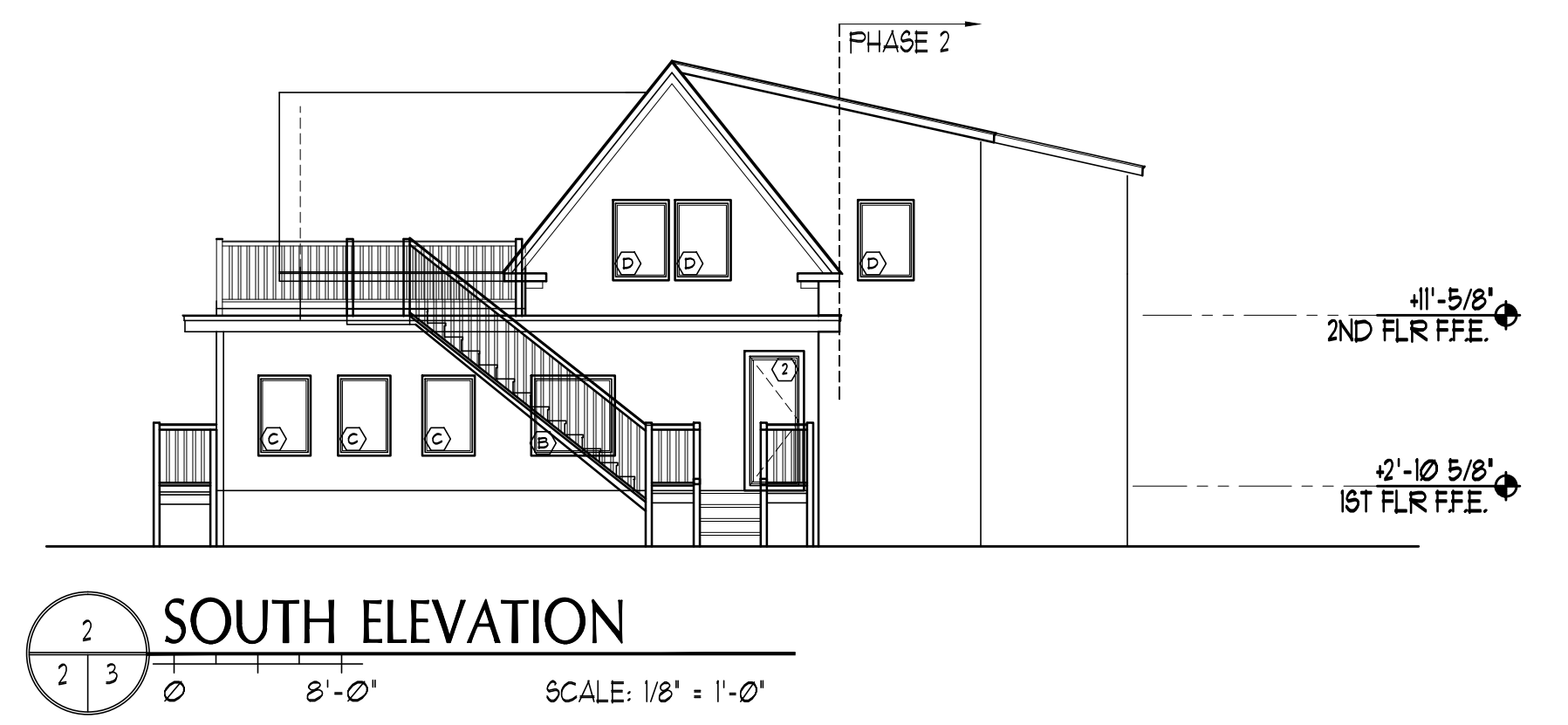
5 WINDOW SCHEDULE
SCALE: 1/2" = 1'-0"



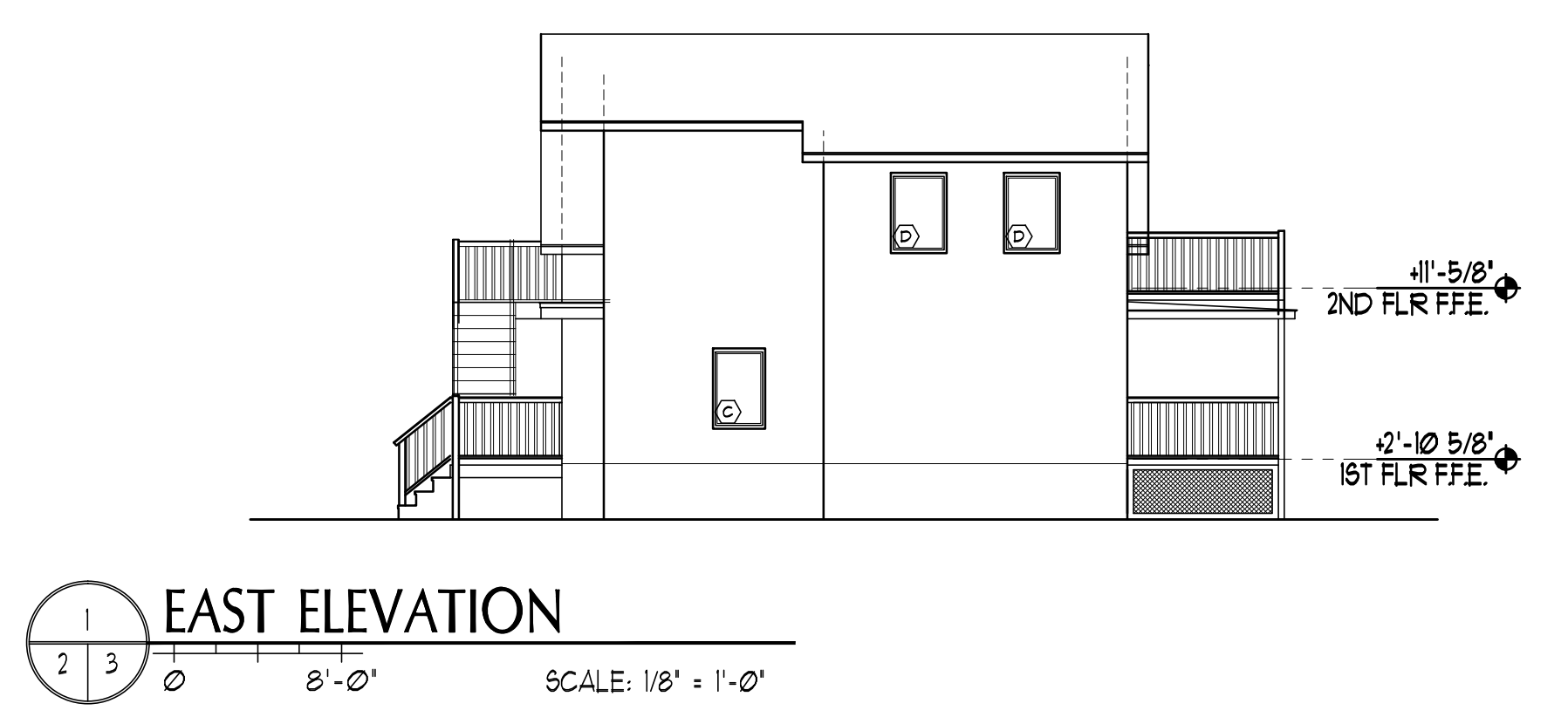
4 NORTH ELEVATION
SCALE: 1/8" = 1'-0"



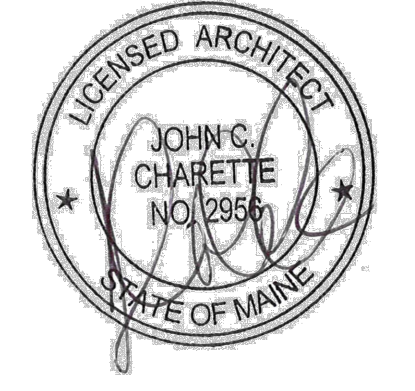
3 WEST ELEVATION
SCALE: 1/8" = 1'-0"



2 SOUTH ELEVATION
SCALE: 1/8" = 1'-0"



1 EAST ELEVATION
SCALE: 1/8" = 1'-0"



MELDEAU RESIDENCE
11 PARK AVE
PEAKS ISLAND
PORTLAND, MAINE

#	DATE	DESCRIPTION
REVISIONS		
	Date Issued	4.4.14
	Project Number	14201
	Drawing Scale	AS NOTED
SHEET NAME		
ELEVATIONS AND SCHEDULES		
Drawn By		KJS
Checked By		JCC

A3.1