

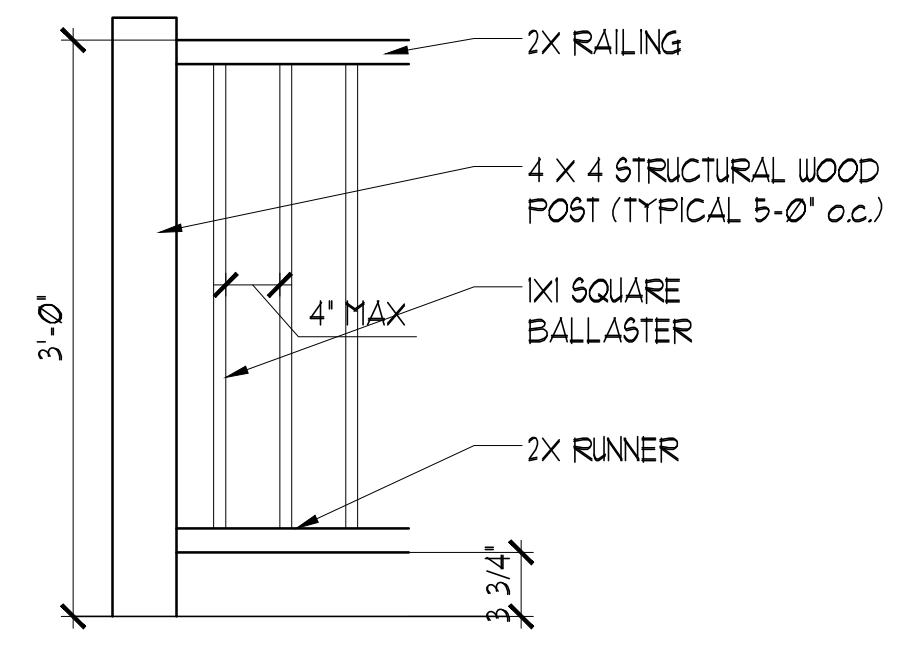
**MELDEAU RESIDENCE**  
11 PARK AVE  
PEAKS ISLAND  
PORTLAND, MAINE

#	DATE	DESCRIPTION
REVISIONS		
	Date Issued	4.4.14
	Project Number	14201
	Drawing Scale	AS NOTED
	SHEET NAME	

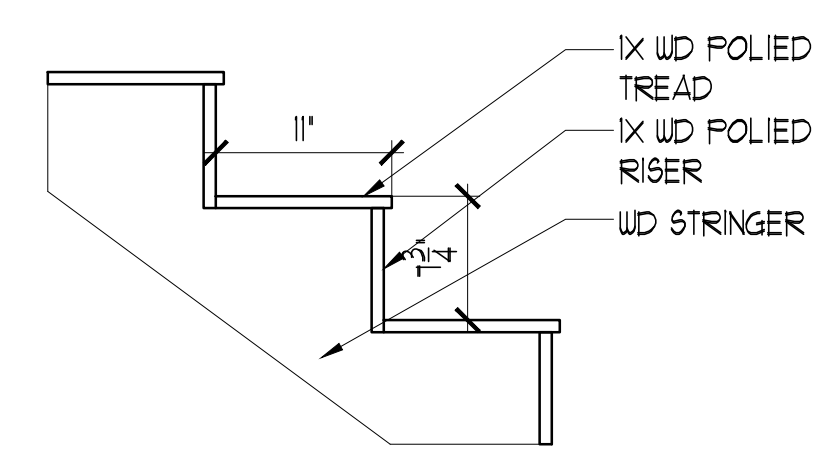
Drawn By	KJS
Checked By	JCC

**A2.1**

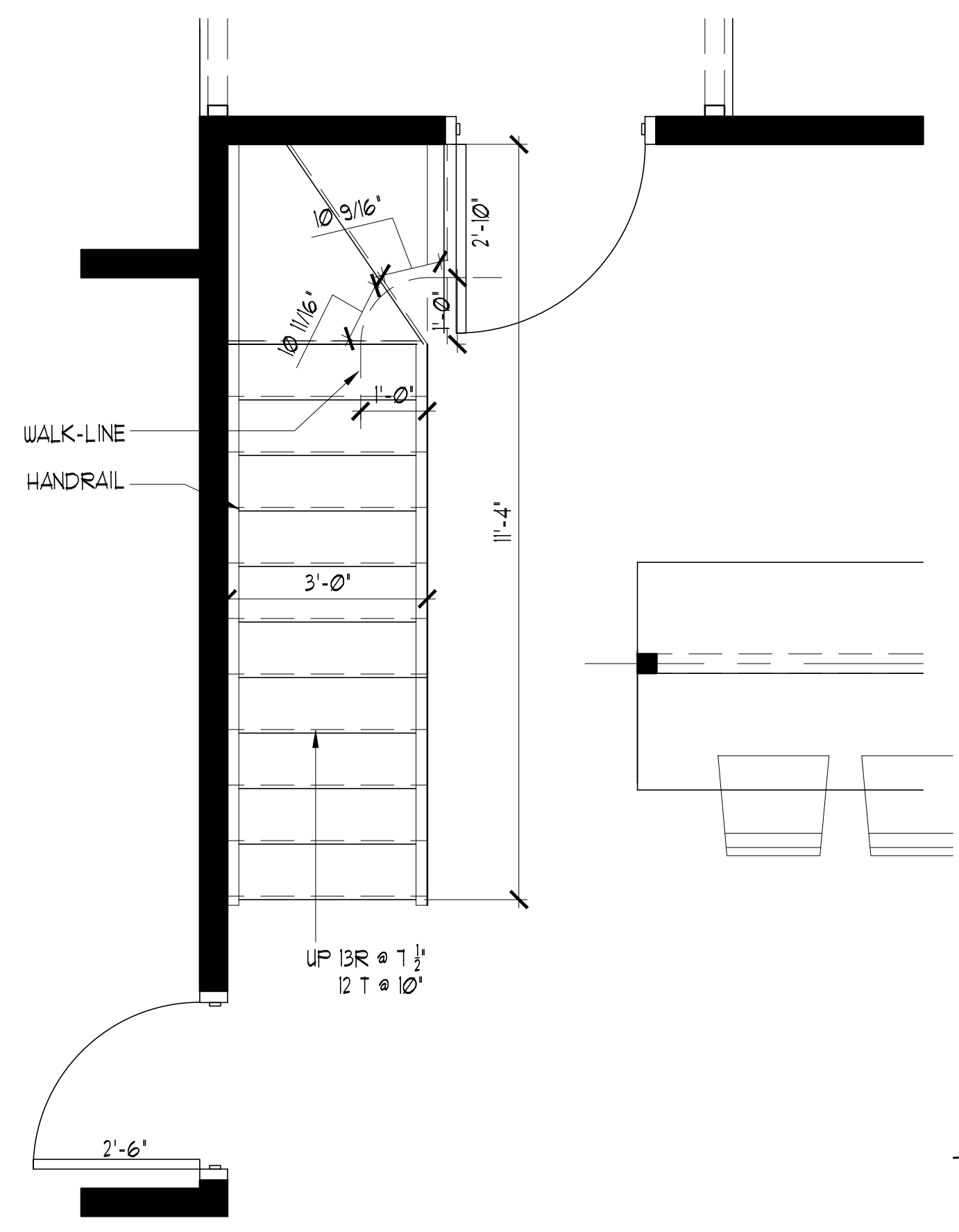
IF THIS SHEET IS NOT 24 X 36 IT IS A REDUCED SCALE PRINT - SCALE ACCORDINGLY



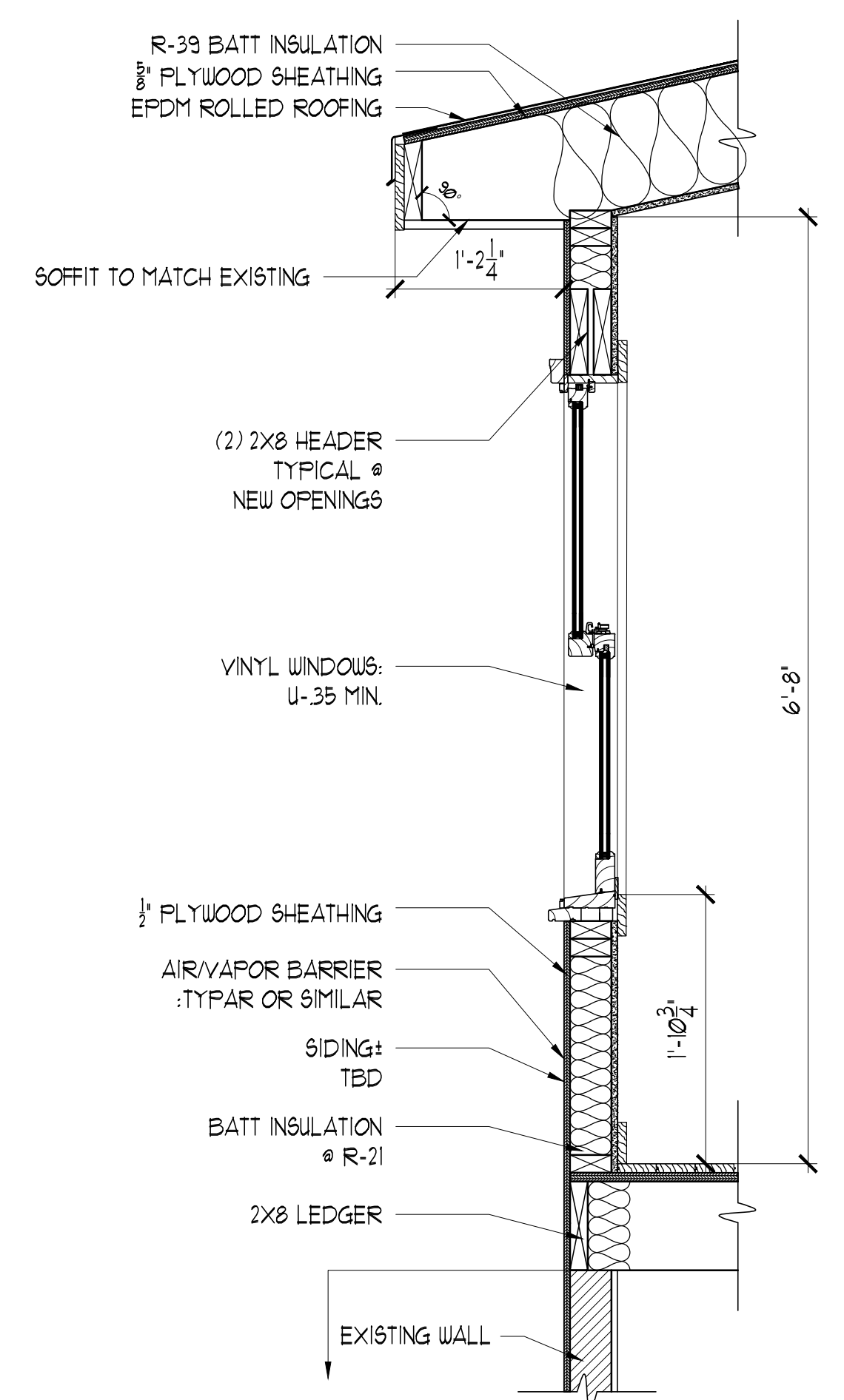
**GAURDRAIL DETAIL**  
SCALE: 1" = 1'-0"



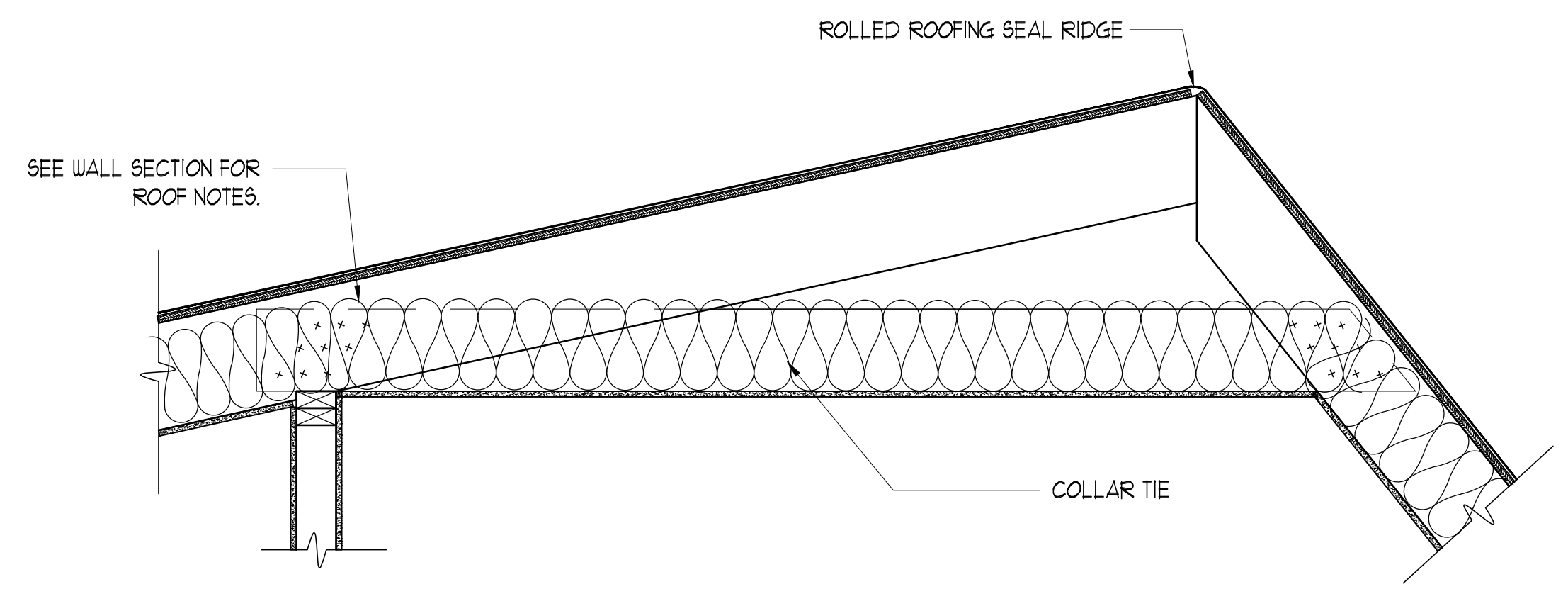
**TYPICAL INTERIOR/ EXTERIOR STAIR**  
SCALE: 1" = 1'-0"



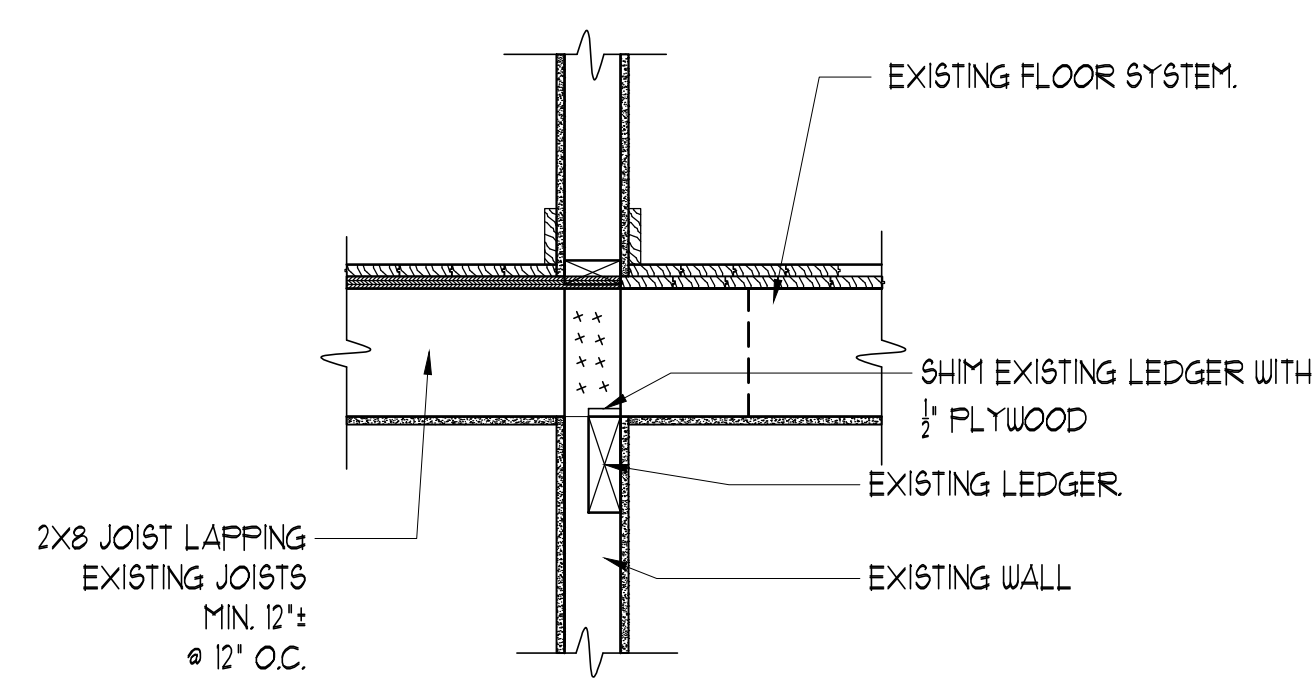
**STAIR DETAIL**  
SCALE: 1/2" = 1'-0"



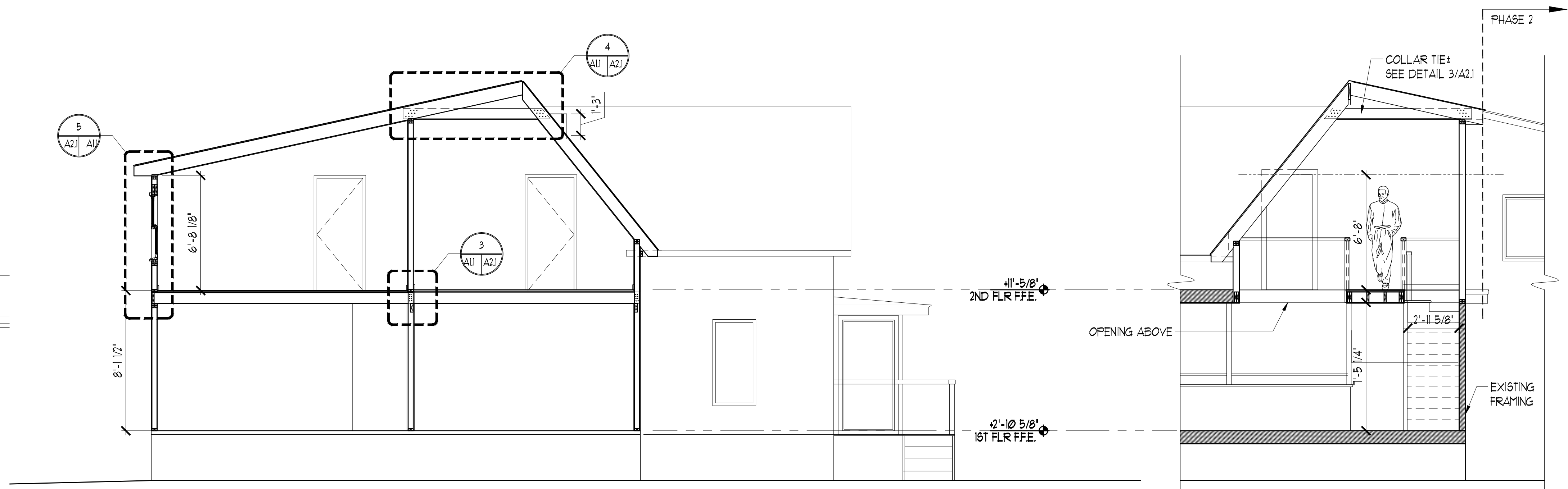
**WALL DETAIL (SIM)**  
SCALE: 1-1/2" = 1'-0"



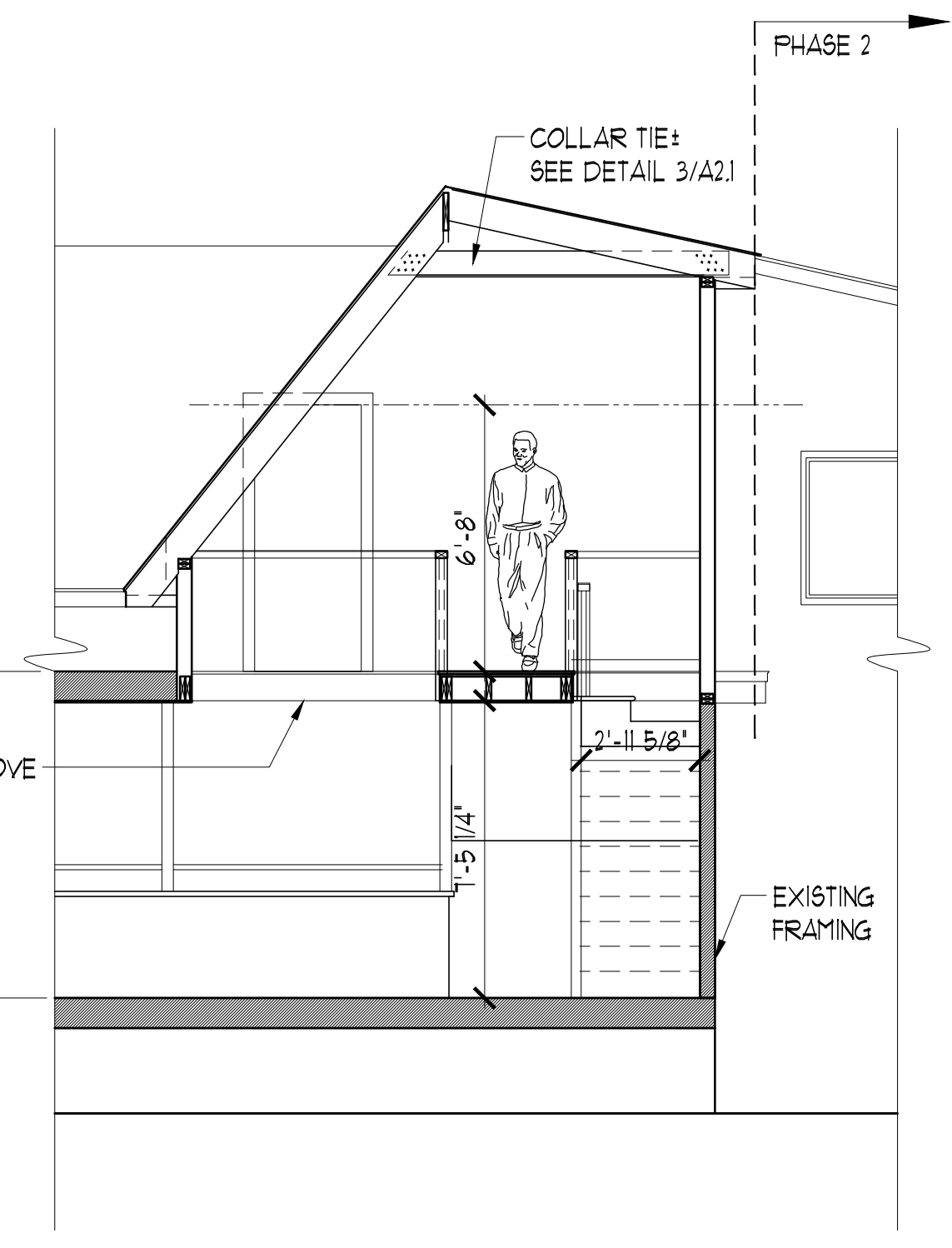
**RIDGE DETAIL**  
SCALE: 1-1/2" = 1'-0"



**FLOOR JOIST DETAIL**  
SCALE: 1-1/2" = 1'-0"



**BUILDING SECTION**  
SCALE: 1/4" = 1'-0"



**BUILDING SECTION**  
SCALE: 1/4" = 1'-0"