

**Submittal Data: 15RLS3H Inverter Driven Heat Pump** **15,000 BTU Heat Pump System**

Job Name: Ned Shenton Date: 7/15/15  
 Location: 273 Island Ave, Peaks Island Approval: \_\_\_\_\_  
 Engineer: n/a Construction: \_\_\_\_\_  
 Submitted to: City of Portland Unit #: \_\_\_\_\_  
 Submitted by: Doggis Energy Drawing #: \_\_\_\_\_  
 Reference: \_\_\_\_\_

**General Features**

- Refrigerant Type R410A.
- Human Sensor
- Wired and wireless remote controllers
- Double swing automatic
- Automatic airflow adjustment
- Low noise mode
- Powerful mode
- 5- Years Parts, 7-Years Compressor Warranty (See Warranty Statement for details)
- Program timer
- Weekly mode

**Model Information**

Outdoor..... AOU15RLS3H  
 Indoor..... ASU15RLS3

**Electrical**..... 208/230V AC 1ph-60Hz  
 Available Voltage Range..... 208/230 +/- 10%  
 Minimum Circuit Ampacity..... 18.2 A  
 Max Fuse Size..... 20A  
 Max Starting Current..... 5.2 A

**Input Power**

Cooling..... 1.04 kW  
 Heating..... 1.15 kW

**Running Current**

Cooling..... 4.8 A  
 Heating..... 5.2 A

**Capacity**

Nominal Cooling..... 15,000 Btu  
 Min-Max Cooling..... 3,100-18,400 Btu/h  
 Nominal Heating..... 18,000 Btu/h  
 Min-Max Heating..... 3,100-23,900 Btu/h

**Compressor**

..... Rotary (inv x1)  
 Motor Output..... 1,000 W  
 Refrigerant..... R410a  
 Charge..... 3 lbs. 1 oz  
 Oil..... FREOL a68SZ

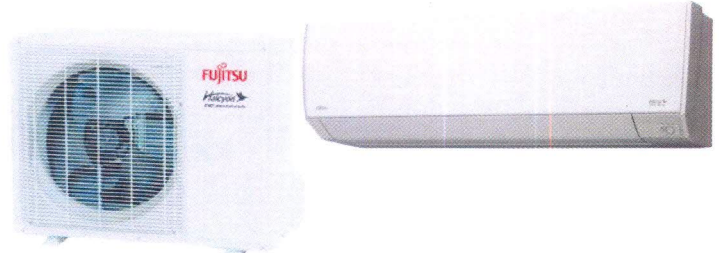
**Fan Motor**

(Condenser) Type: DC..... Propeller x 1  
 (Condenser) Motor Output..... 49 W  
 (Evaporator) Type: DC..... Cross flow fan x1  
 (Evaporator) Motor Output..... 61 W

**Heat Exchanger** {Condenser (C) Evaporator (E)}

Dimensions (H x W x D)  
 Condenser..... 23-1/8 x 34-11/16 x 1-7/16 in. (588x881x36.4 mm)  
 Evaporator..... Main 15-1/8 x 28-3/8 x 1-3/16 in. (384x720x30) Sub 3-5/16 x 28-3/8 x 1/2 in. (84x720x13.3 mm) 4-15/16 x 28-3/8 x 1/2 in. (126x720x13.3 mm)  
 Fin Pitch..... 20 FPI (C) Main 21 FPI Sub 18 FPI (E)  
 Rows x Stages..... 2 x 28 (C) Main 3 x 24 Sub 1 x 10 (E)  
 Pipe Type (Material)..... Copper (C) Copper (E)  
 Fin Type (Material)..... Aluminum (C) Aluminum (E)

Note: Specifications are based on the following conditions:  
 Cooling: In loor temperature of 80°F (26.7°C) DB/67°F (19.4°C) WB, and outdoor temperature of 95°F (35°C) DB/75°F (23.9°C) WB.  
 Heating: In loor temperature of 70°F (21.1°C) DB/59°F (15°C) WB, and outdoor temperature of 47°F (8.33°C) DB/43°F (6.1°C) WB.  
 Pipe length: 24ft. 7in. (7.5m), Height difference: 0ft. (0m) (Outdoor unit - indoor unit)



**Operation Temperature Range**

Cooling..... 14°F (-10°C) to 115°F (46°C)  
 Heating..... -15°F (-26°C) to 75°F (24°C)

**Efficiency**

SEER..... 25.3  
 EER (cooling)..... 4.09 kW/kW  
 COP (heating)..... 4.59 kW/kW / 15.7 Btu/hW  
 HSPF (heating)..... 13.4 Btu/hW

**Enclosure (Condenser)**

Material..... Painted galvanized steel  
 Color..... Beige (10 YR 7.5/1.0 NN)

**Sound Pressure Level**

Outdoor..... 49 dB(A)  
 Indoor..... 45 dB(A)

**Dimensions**

H x W x D  
 Outdoor in. (mm)..... 24-1/2 (620) x 31-1/8 (790) x 11-7/16 (290)  
 Indoor in. (mm)..... 11- 5/8 (295) x 37 (940) x 10-5/8 (270)

**Connection Pipe**

Liquid..... 1/4" / 6.35 mm Flare  
 Gas..... 1/2" / 12.7 mm Flare  
 Method (Liquid/Gas)..... Brazing  
 Max Length (Pre-charge)..... 66 ft. (20 m) / (49 ft. {15 m})  
 Max Height Difference..... 49 ft. (15 m)

**Weight**

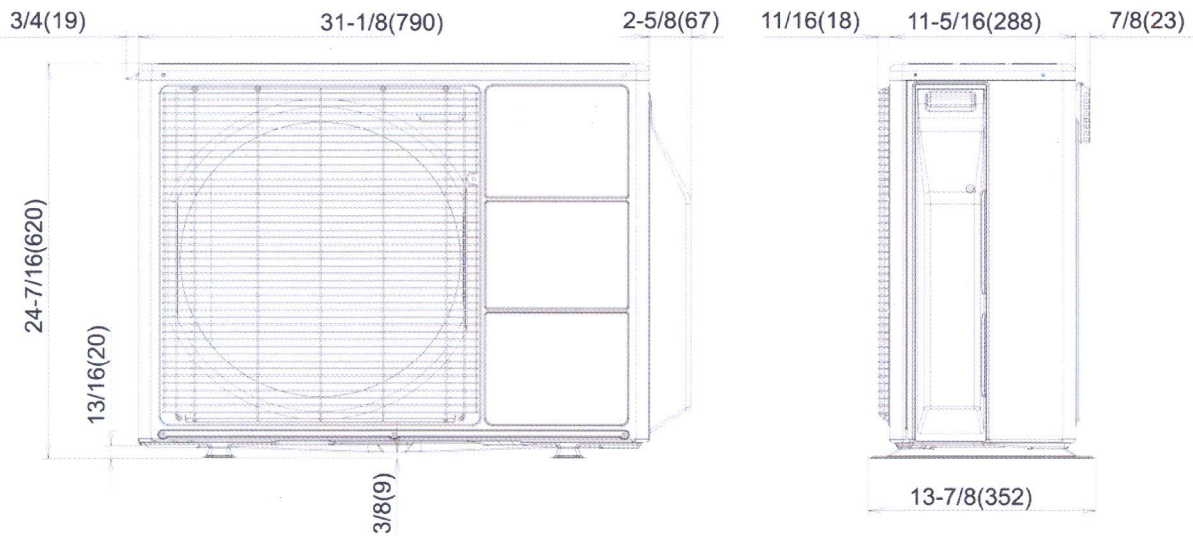
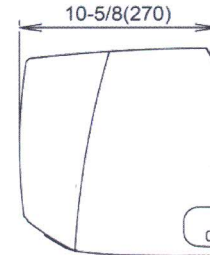
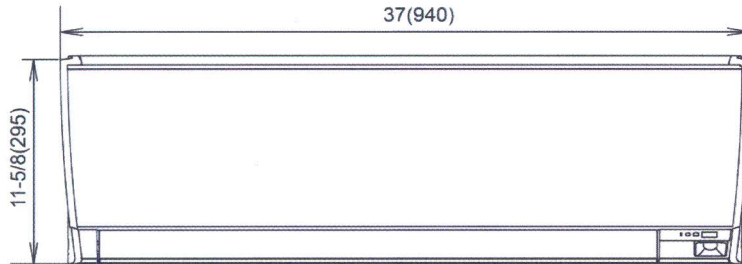
Outdoor..... 88 lbs (40 kg)  
 Indoor..... 31 lbs (14 kg)

**Accessories**

Wired Remote Controller..... UTY-RVNUM  
 Wired Remote Controller..... UTY-RNNUM  
 Simple Remote Controller..... UTY-RSNUM  
 Communication Kit..... UTY-TWBXF1  
 External Connection Kit..... UTY-XWZZ5

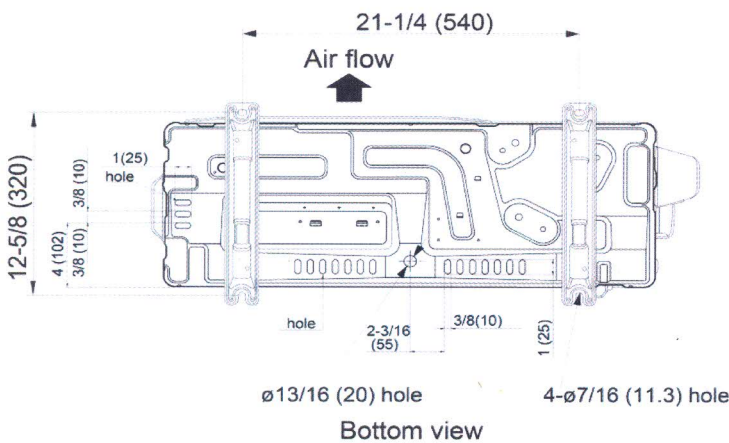
## Dimensions: 15RLS3H

[Unit: in. (mm)]

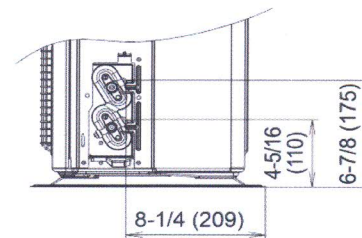


Front view

Side view



Bottom view



The Fujitsu logo is a registered trademark of Fujitsu Limited.  
 The Halcyon logo and name is a trademark of Fujitsu General America, Inc.  
 Copyright 2014 Fujitsu General America, Inc.  
 Fujitsu's products are subject to continuous improvements. Fujitsu reserves the right to modify product design, specifications and information in this brochure without notice and without incurring any obligations.