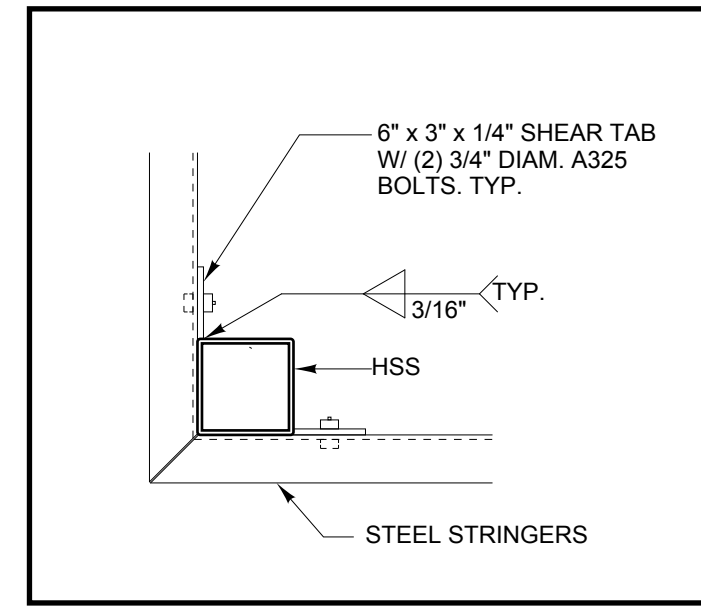
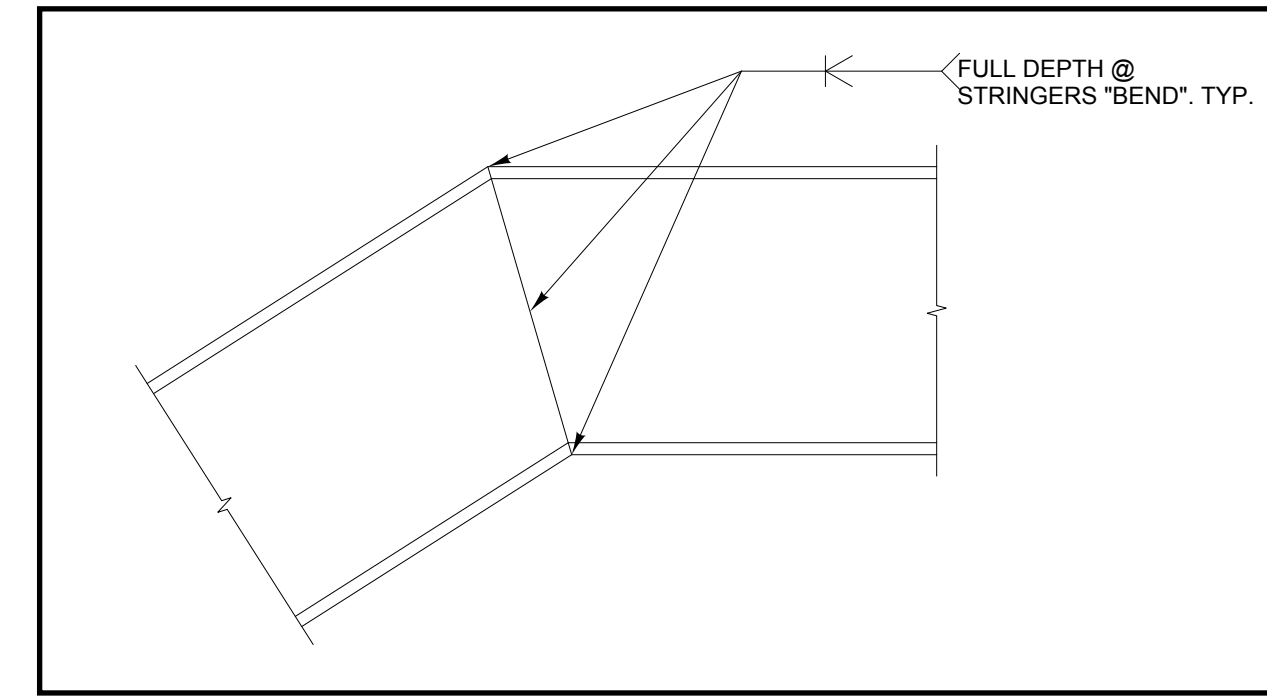


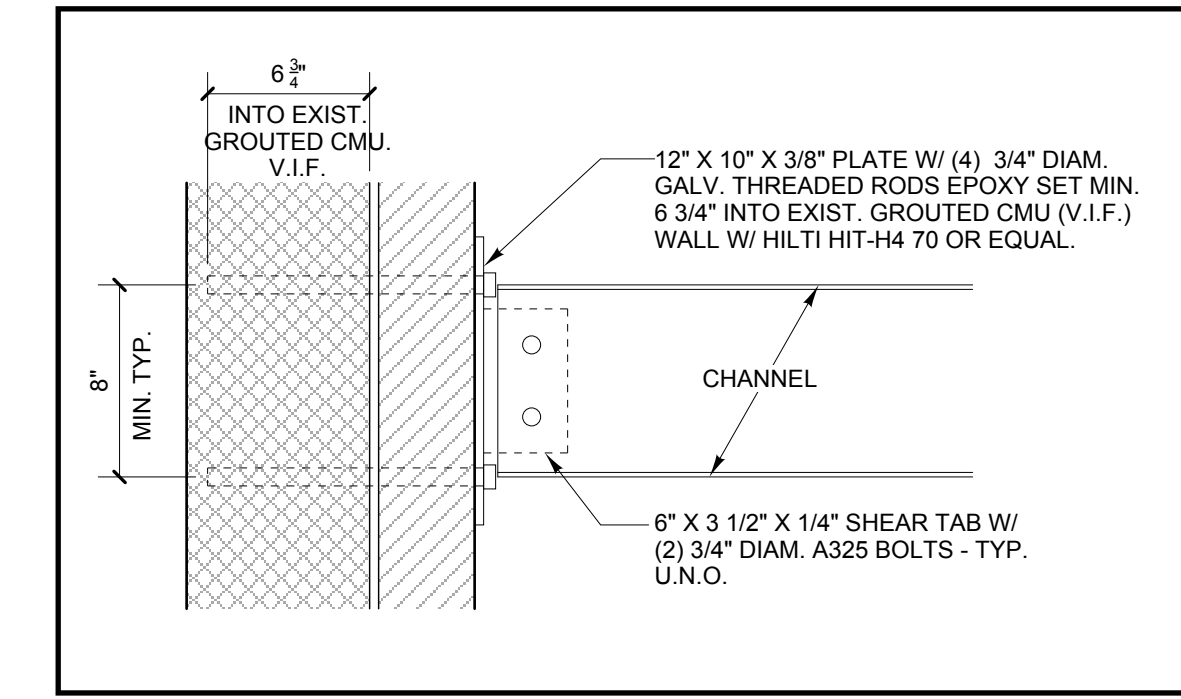
① Typical Detail at HSS & Foundation
1 1/2" = 1'-0"



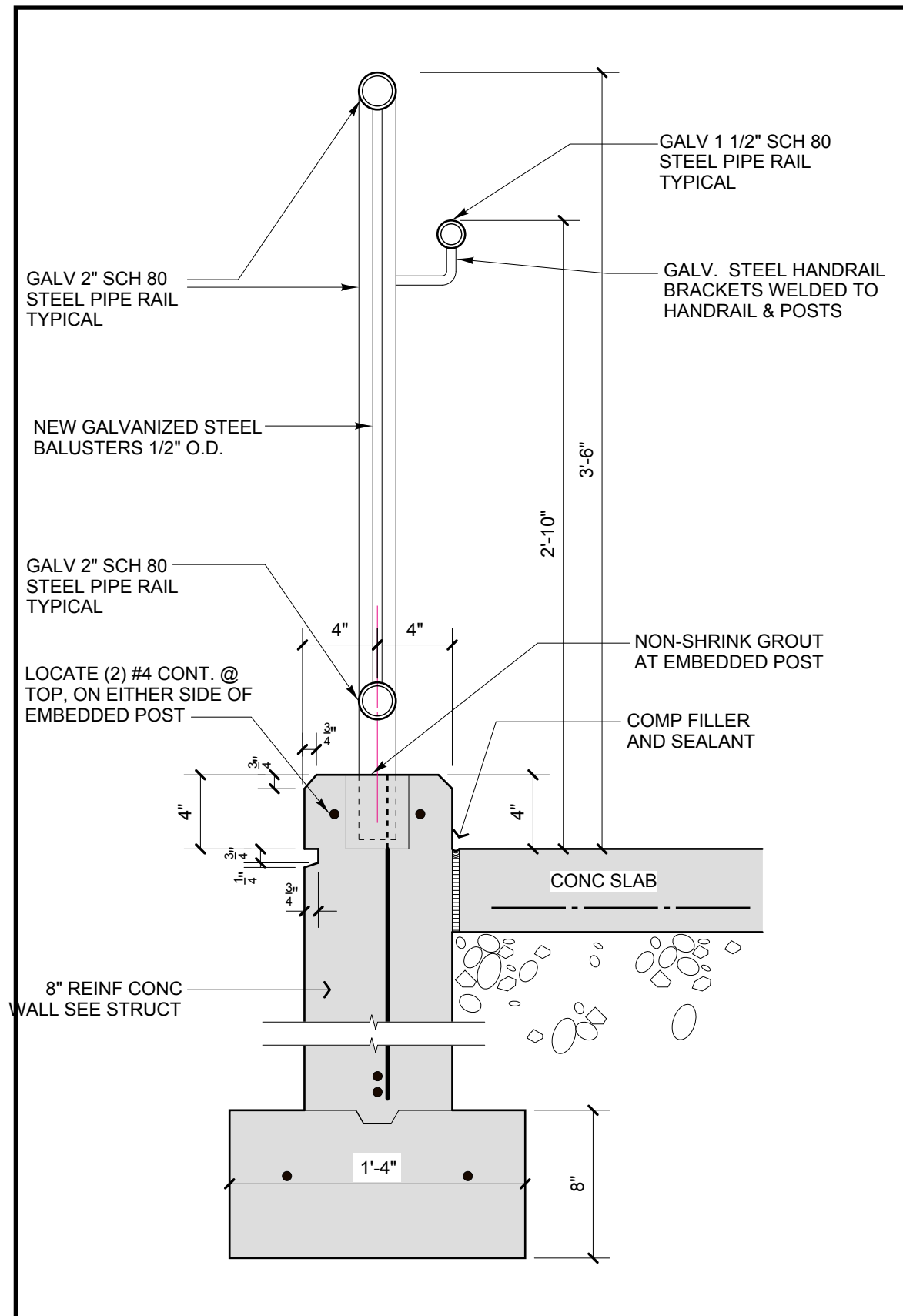
② Typical Corner Post Connection Detail
1 1/2" = 1'-0"



③ Detail at Stringers "Bend"
1 1/2" = 1'-0"



④ Typ. Connection Detail at Channel & Exist. Masonry Wall
1 1/2" = 1'-0"



⑤ Detail at Ramp
1 1/2" = 1'-0"