

Submittal Data: 30RLXEH  
Inverter Driven Heat Pump

30,000 BTU Heat-Pump System

Job Name: Porter / Campbell  
 Location: 277 Island Avenue 04108  
 Engineer: n/a  
 Submitted to: City of Portland  
 Submitted by: Gloggin Energy  
 Reference: n/a

Date: 10/18/16  
 Approval: \_\_\_\_\_  
 Construction: \_\_\_\_\_  
 Unit #: \_\_\_\_\_  
 Drawing #: \_\_\_\_\_

### General Features

- Control PCB w/ Switch Buttons
- Human Sensor
- Wired & wireless remote controllers
- Double swing automatic
- Airflow adjustment
- Low noise mode
- Base panel heater
- Powerful mode
- Standard Warranty: 5 years parts, 7 years compressor. Applies to systems purchased before June 1<sup>st</sup> 2015\*
- Extended Warranty: 10 years parts, 10 years compressor. Systems that have been installed on or after June 1<sup>st</sup> 2015 by licensed contractors and the online Product Registration has been submitted.\*\*
- Elite Contractor Extended Warranty: 12 years parts, 12 years compressor. Systems that have been installed on or after June 1<sup>st</sup> 2015 by contractors who have met requirements and have been approved for elite contractor status plus, the online Product Registration has been submitted.\*\*\*

### Model Information

Outdoor..... AOU30RLXEH  
 Indoor..... ASU30RLE

### Electrical

Available Voltage Range..... 208/230V AC 1ph-60Hz  
 Minimum Circuit Ampacity..... 25.6 A  
 Max Fuse Size..... 30 A  
 Max Starting Current..... 18.7 A  
 Input Power

Cooling..... 2.40 kW  
 Heating..... 2.74 kW  
 Running Current

Cooling..... 10.6 A  
 Heating..... 12.0 A

### Capacity

Nominal Cooling..... 30,000 Btu/h  
 Min-Max Cooling..... 9,900 – 32,400 Btu/h  
 Nominal Heating..... 32,000 Btu/h  
 Min-Max Heating..... 8,000 – 36,200 Btu/h

### Compressor

..... Twin rotary x1  
 Motor Output..... 3,750 W  
 Refrigerant..... R410a  
 Charge..... 6 lbs. 12 oz.  
 Oil..... POE (VG74)

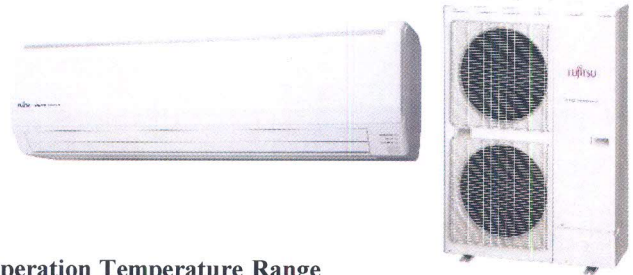
### Fan Motor

(condenser) Type: DC ..... Propeller x 1  
 (evaporator) Type:..... Cross flow fan x1  
 (condenser) Output..... 100 W x2  
 (evaporator) Output..... 80 W

### Heat Exchanger

Dimensions (condenser)  
 (H x W x D) in. (mm)..... 49-10/16 x 35-7/16 x 1-7/16 (1,260x900x36.4)  
 Fin Pitch..... 1.3 FPI  
 Rows x Stages..... 2 x 60  
 Pipe Type (Material)..... Copper  
 Type (Material)..... Corrugate (Aluminum)  
 Surface Treatment..... Hydrophilic coating (Blue fin)

Note: Specifications are based on the following conditions.  
 Cooling: Indoor temperature of 80°F (26.7°C) DB/67°F (19.44°C) WB, and outdoor temperature of 95°F (35°C) DB/75°F (23.9°C) WB.  
 Heating: Indoor temperature of 70°F (21.1°C) DB/59°F (15°C) WB, and outdoor temperature of 47°F (8.33°C) DB/43°F (6.11°C) WB.  
 Pipe length: 24ft. (6.1 (7.5m). Height difference: 0ft. (0m) (Outdoor unit – indoor unit)



### Operation Temperature Range

Cooling..... -5°F (-20°C) - 115°F (46°C)  
 Heating..... -15°F (-26°C) - 75°F (24°C)

### Efficiency

SEER..... 18.7  
 EER (cooling)..... 12.5  
 COP (heating)..... 11.7  
 HSPF (heating)..... 11.8

### Enclosure

Material..... Painted galvanized steel  
 Color..... Beige (10 YR 7.5/1.0 NN)

### Sound Pressure Level

Outdoor (max)..... 54 dB  
 Indoor (max)..... 50 dB

### Dimensions

H x W x D  
 (condenser) in. (mm)..... 50-13/16 x 35-3/8 x 13 (1,290x900x330)  
 (evaporator) in. (mm)..... 13-6/16 x 45-4/16 x 9 (340x1,150x280)

### Connection Pipe

Liquid..... 3/8" (9.52 mm)  
 Gas..... 5/8" (15.88 mm)  
 Method (Liquid/Gas)..... Flare  
 Pre-charge..... 65 ft. (20 m)  
 Max Length..... 246 ft. (75 m)  
 Max Height Difference..... 98 ft. (30 m)

### Weight

Outdoor..... 205 lbs. (93 kg)  
 Indoor..... 40 lbs. (18 kg)

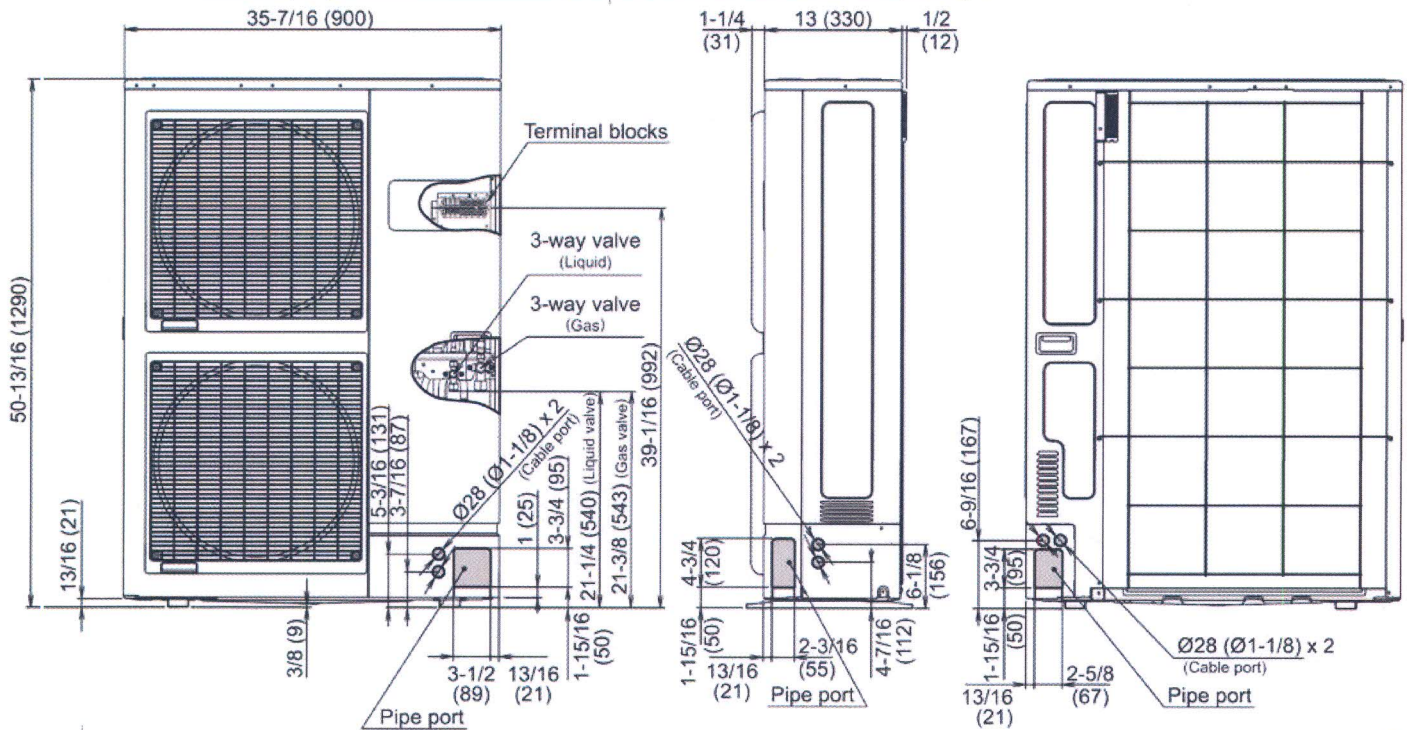
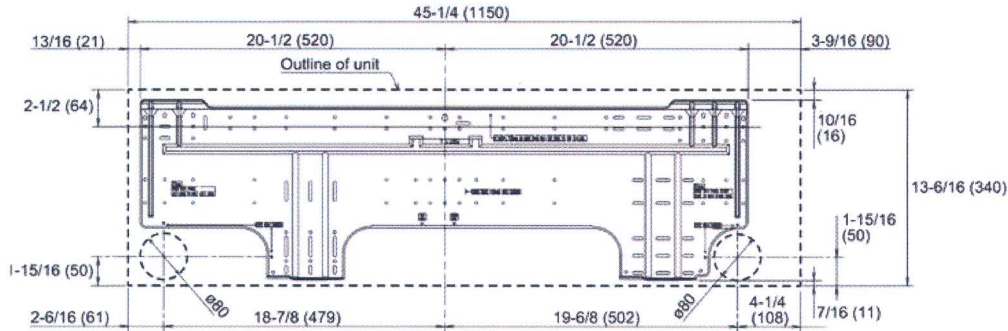
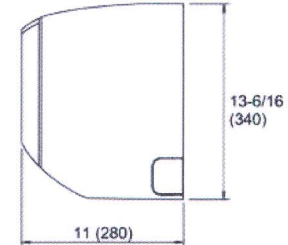
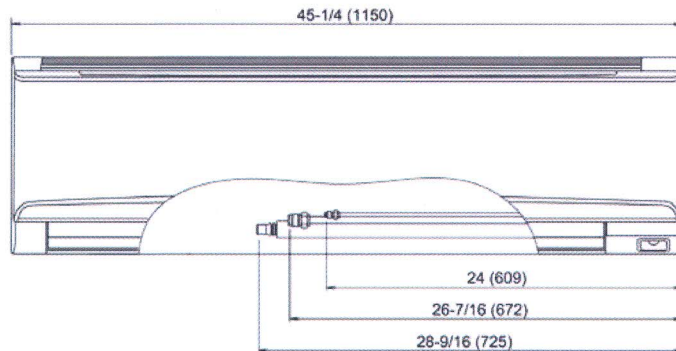
### Accessories

UTY-RNRUZ1..... Wired remote controller (backlit)  
 UTY-RVNUM..... Wired remote controller (backlit, displays room temp.)  
 UTY-RNNUM..... Wired remote controller  
 UTY-RSNUM..... Wired remote controller (simple)



## Dimensions: 30RLXEH

[Unit: in. (mm)]



The Fujitsu logo is a registered trademark of Fujitsu Limited.  
 The Halcyon logo and name is a trademark of Fujitsu General America, Inc. Copyright 2016  
 Fujitsu General America, Inc.  
 Fujitsu's products are subject to continuous improvements. Fujitsu reserves the right to  
 modify product design, specifications and information in this brochure without notice and  
 without incurring any obligations.

**FUJITSU**  
 Fujitsu General America, Inc.  
 353 Route 46 West  
 Fairfield, NJ 07004  
 Toll Free: 1-888-888-3424  
 Fax: (973) 836-0447  
[www.fujitsugeneral.com](http://www.fujitsugeneral.com)