



ARCHITECT:
REED & CO. ARCHITECTURE
 46 CUMBERLAND AVE
 PORTLAND, ME 04101
 207 871 5878

INTERIOR DESIGNER:
COLE DESIGN
 PO BOX 361
 KITTEERY, ME 03904
 207 653 0083

STRUCTURAL ENGINEER:
SHELLEY ENGINEERING
 PO BOX 1030
 GRAY, ME 04039
 207 657 8031

MECHANICAL ENGINEER:
HOLBROOK ENGINEERING
 52 HEATH RD
 SACO, ME 04072
 207 283 9127

ELECTRICAL ENGINEER:
BARTLETT DESIGN
 942 WASHINGTON STREET
 BATH, MAINE 04530
 207 443 5447



STERLING STREET

EXISTING FIRE STATION

ISLAND AVENUE

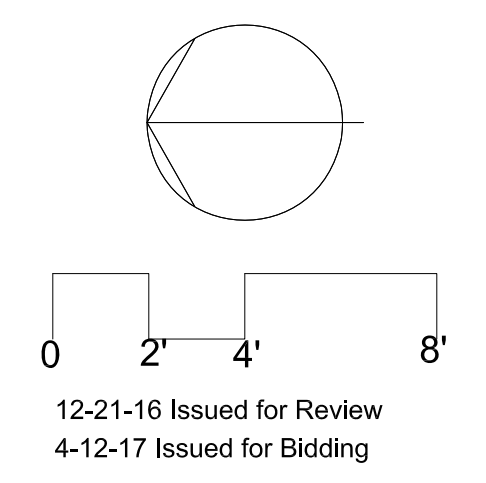
PROPOSED IMPROVEMENTS

PEAKS ISLAND COMMUNITY CENTER & LIBRARY

Title:
FIRST FLOOR FINISH PLAN

Sheet No.
A8.1

Scale: 1/4" = 1'-0"
 Date:
 Revised:



12-21-16 Issued for Review
 4-12-17 Issued for Bidding