

ARCHITECT:
REED & CO. ARCHITECTURE
 46 CUMBERLAND AVE
 PORTLAND, ME 04101
 207 871 5678

INTERIOR DESIGNER:
COLE DESIGN
 PO BOX 361
 KITTERY, ME 03904
 207 653 0083

STRUCTURAL ENGINEER:
SHELLEY ENGINEERING
 PO BOX 1030
 GRAY, ME 04039
 207 657 8031

MECHANICAL ENGINEER:
HOLBROOK ENGINEERING
 52 HEATH RD
 SACO, ME 04072
 207 283 9127

ELECTRICAL ENGINEER:
BARTLETT DESIGN
 842 WASHINGTON STREET
 BATH, MAINE 04530
 207 443 5447

PROPOSED
 IMPROVEMENTS

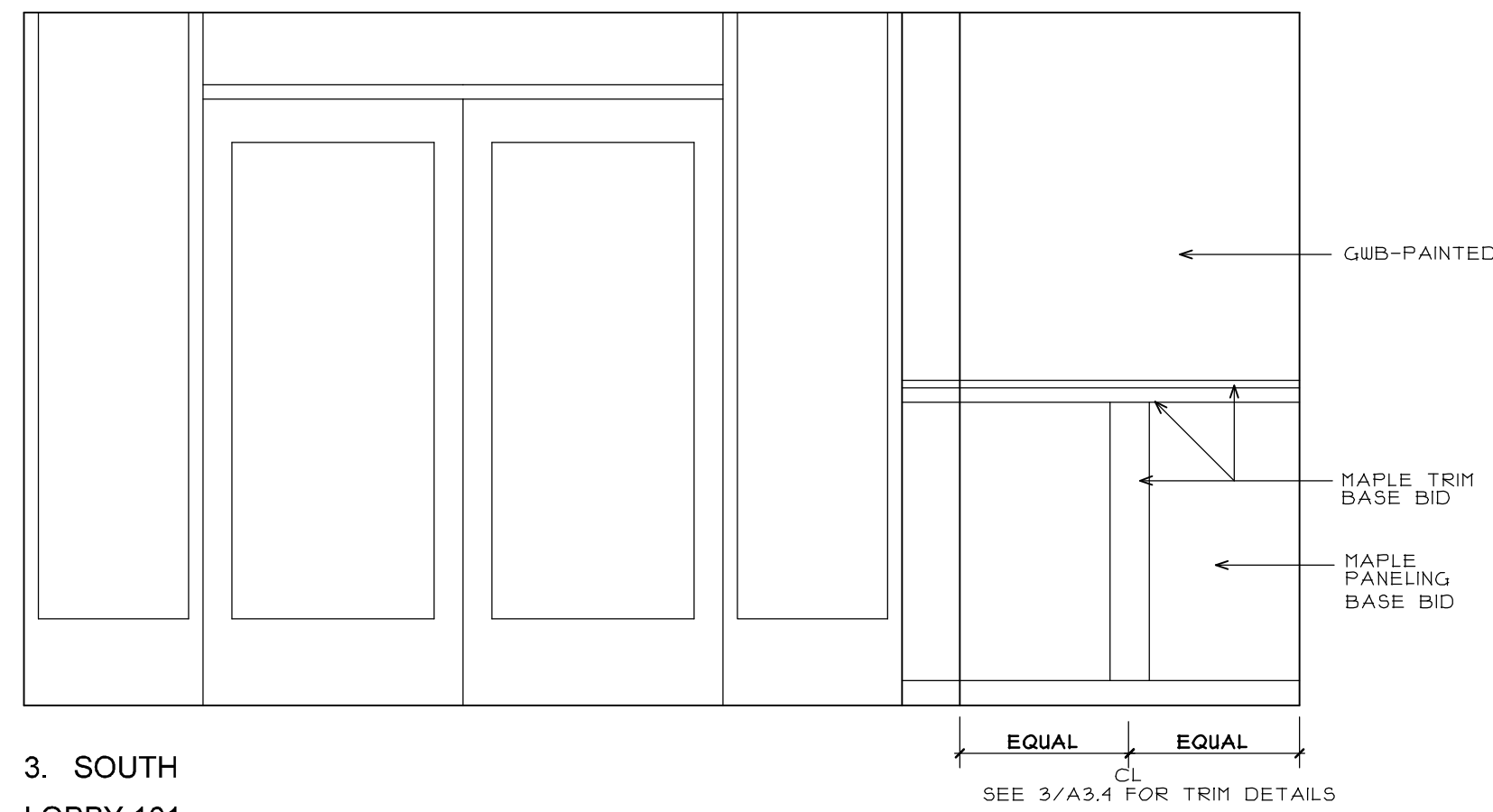
**PEAKS ISLAND
 COMMUNITY
 CENTER
 & LIBRARY**

Title:
 INTERIOR ELEVATIONS

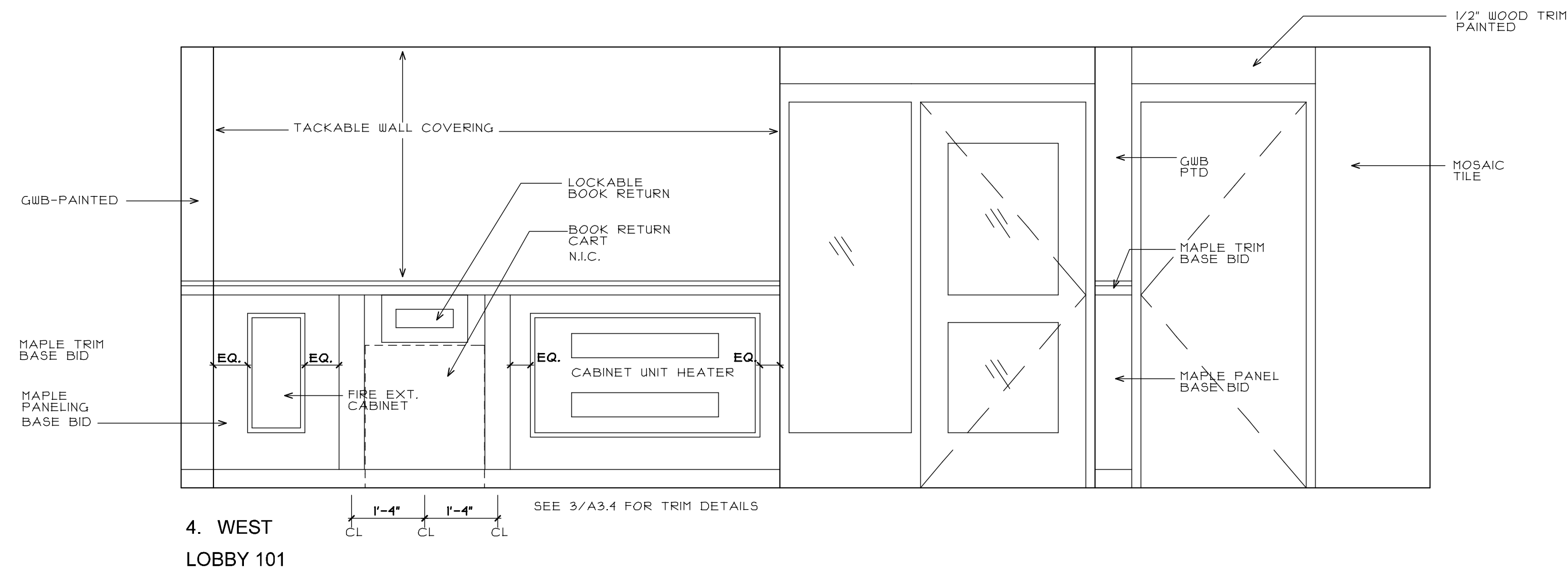
Sheet No.

A6.1

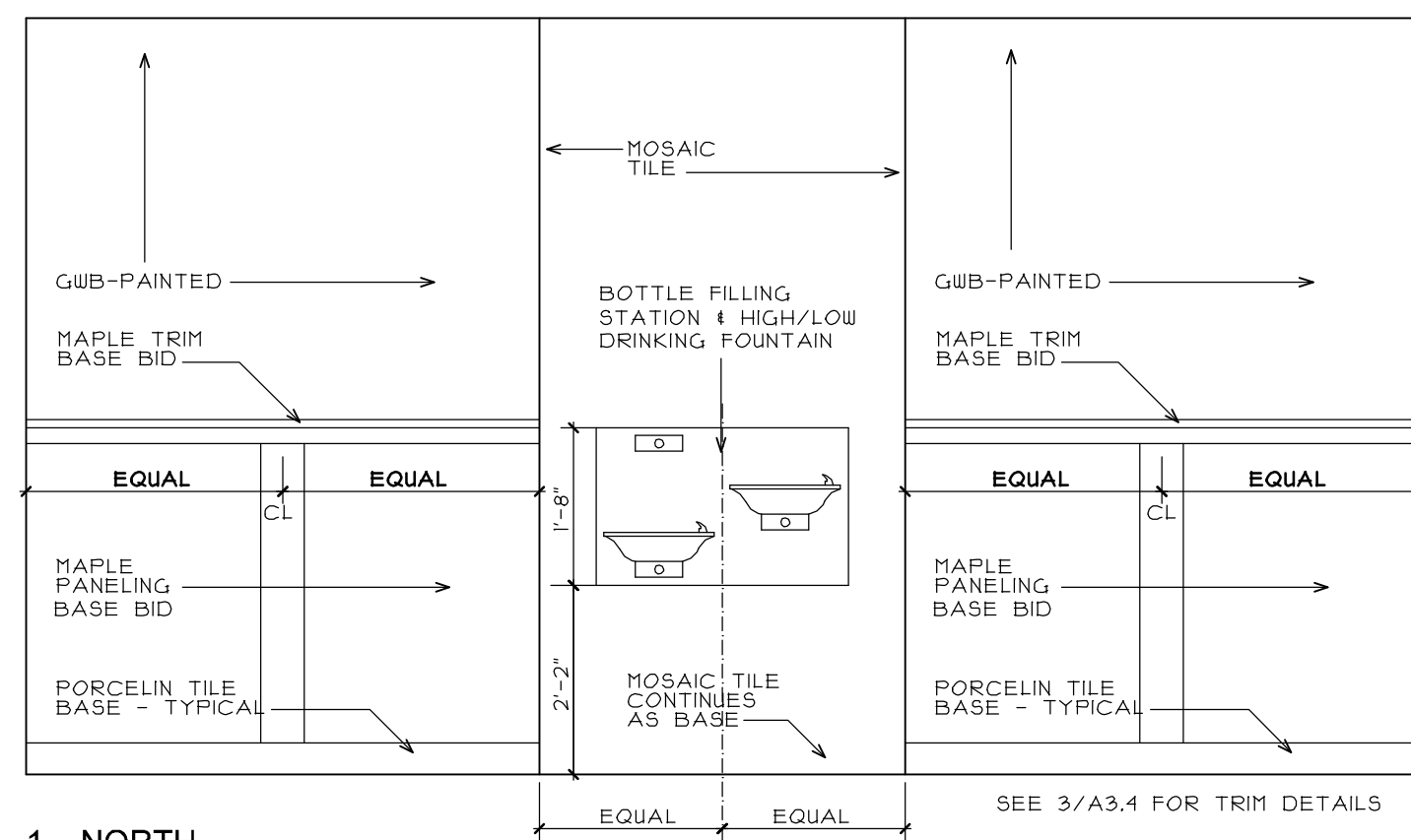
Scale: 1/2" = 1'-0"
 Date:
 Revised:



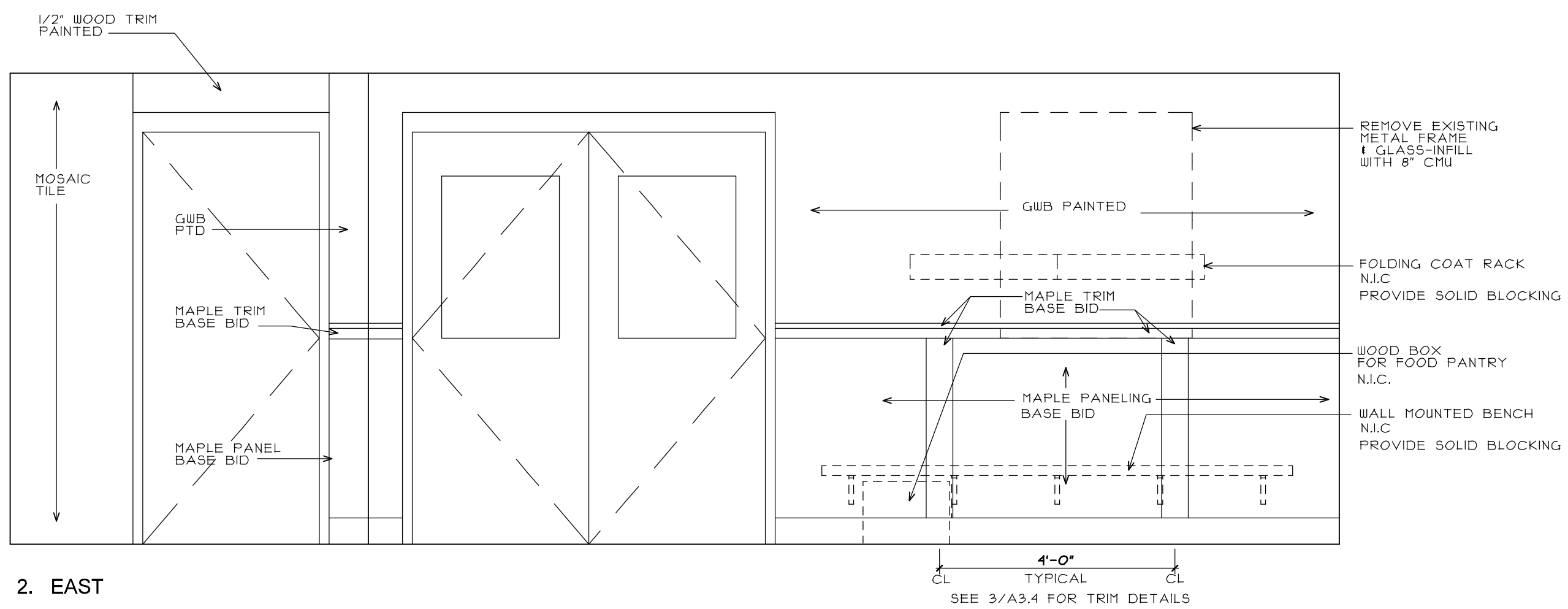
3. SOUTH
 LOBBY 101



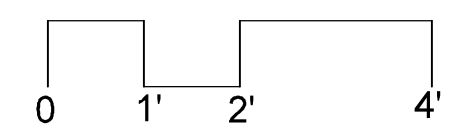
4. WEST
 LOBBY 101



1. NORTH
 LOBBY 101



2. EAST
 LOBBY 101



12-21-16 Issued for Review
 4-12-16 Issued for Bidding