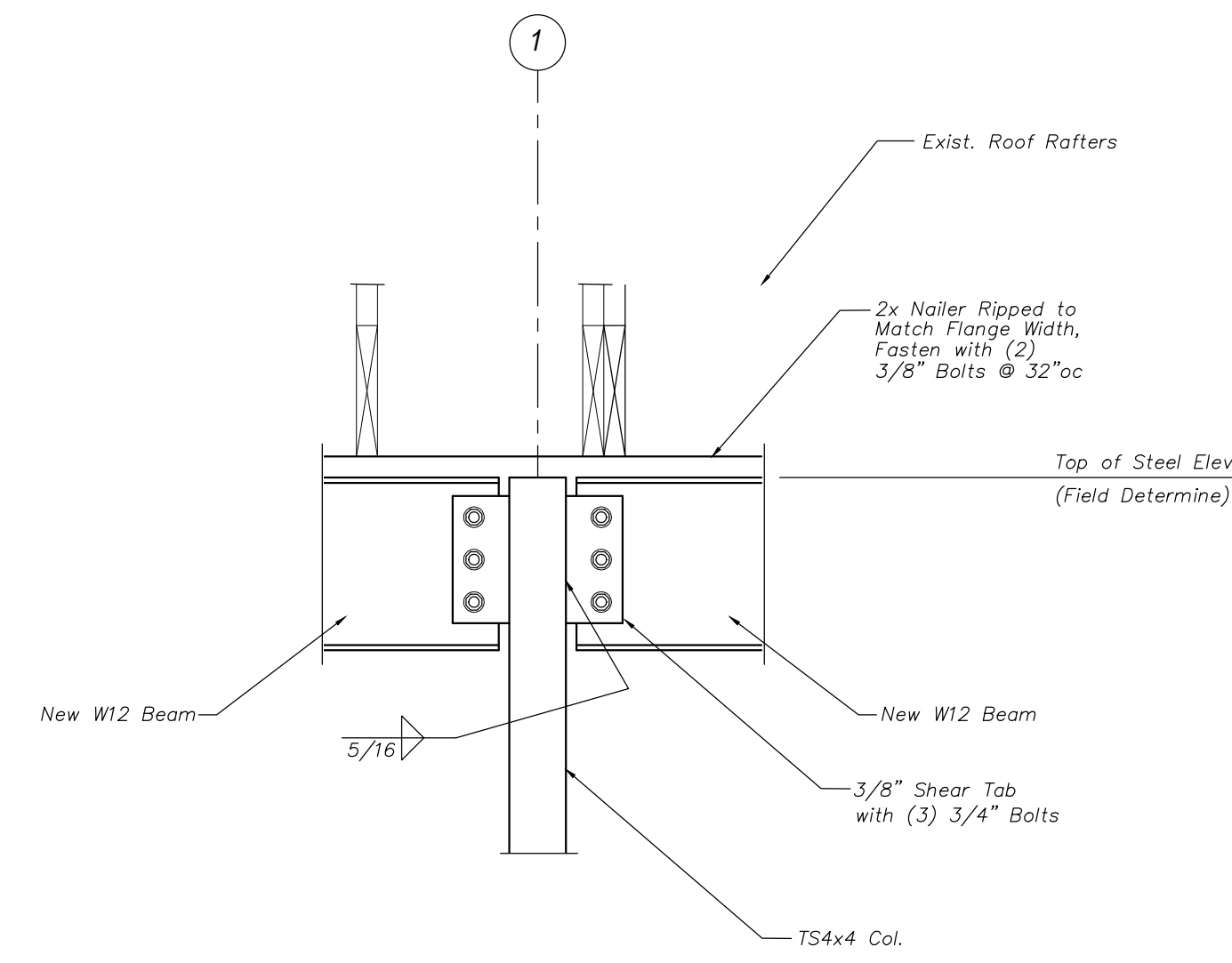
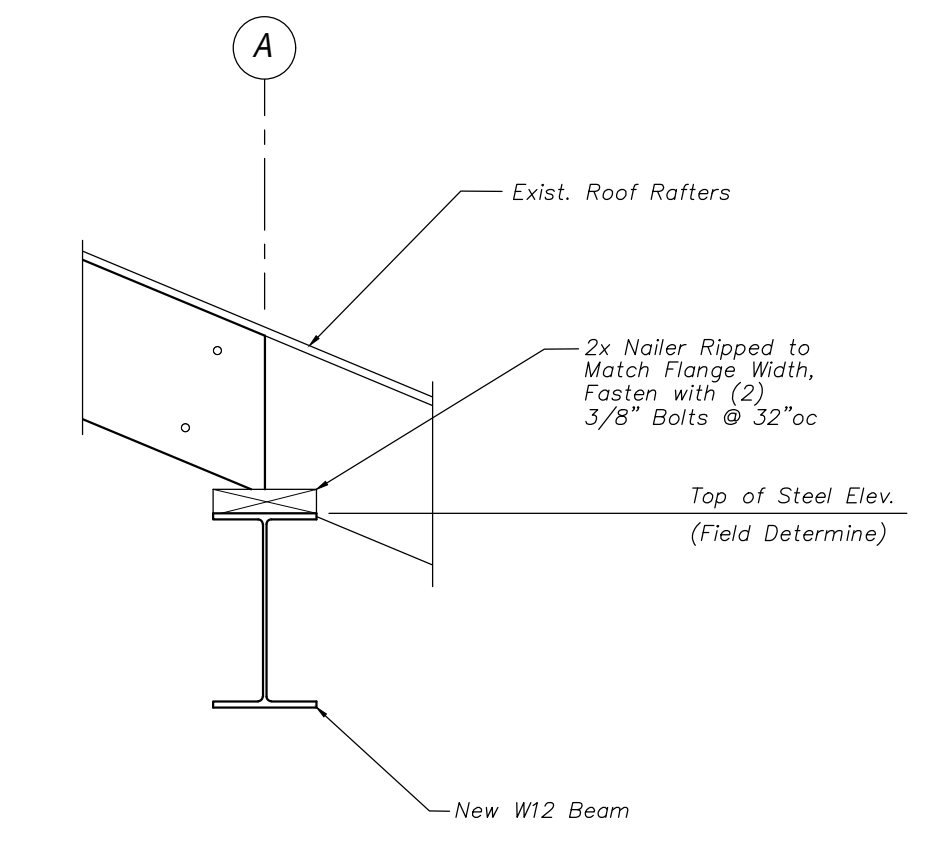


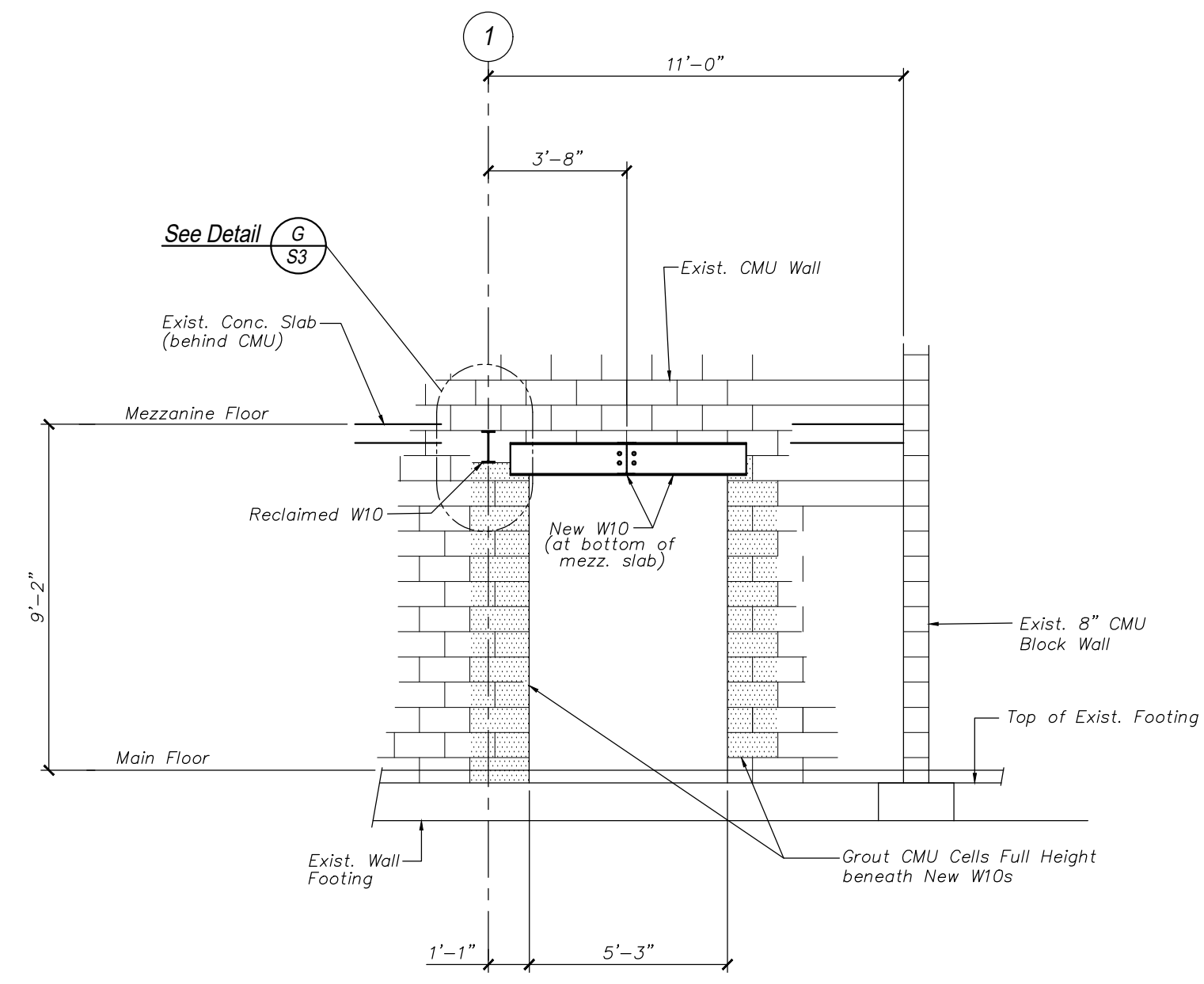
SECTION 4
Scale: 1/4" = 1'-0"



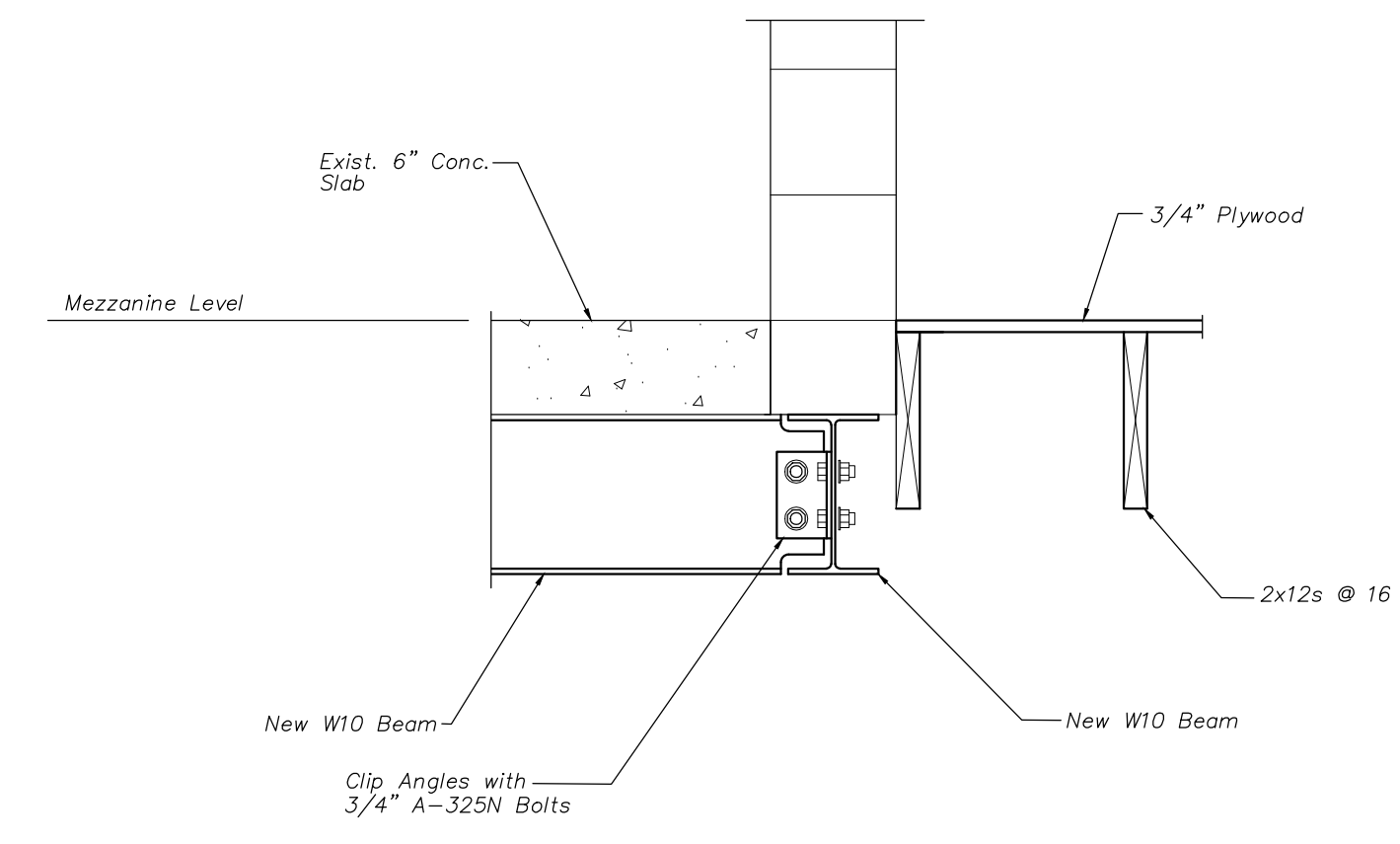
DETAIL A
Scale: 1" = 1'-0"



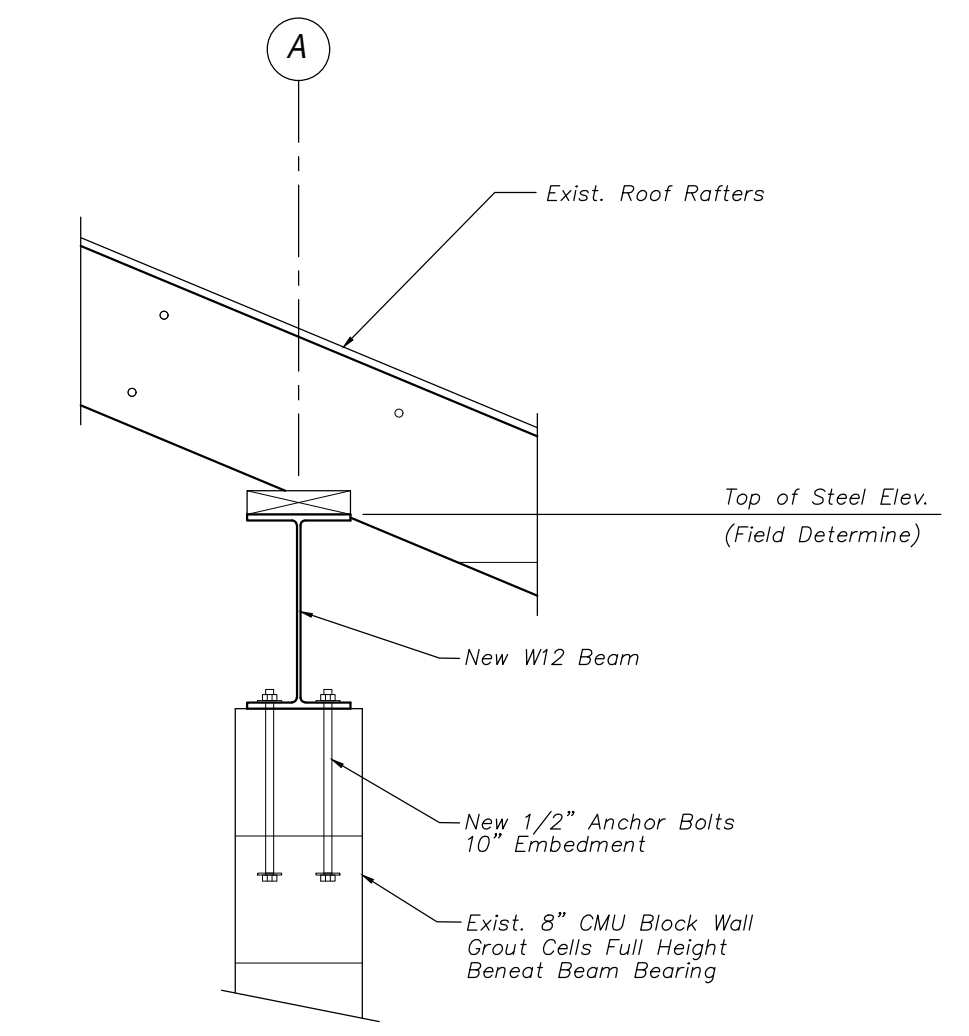
DETAIL B
Scale: 1" = 1'-0"



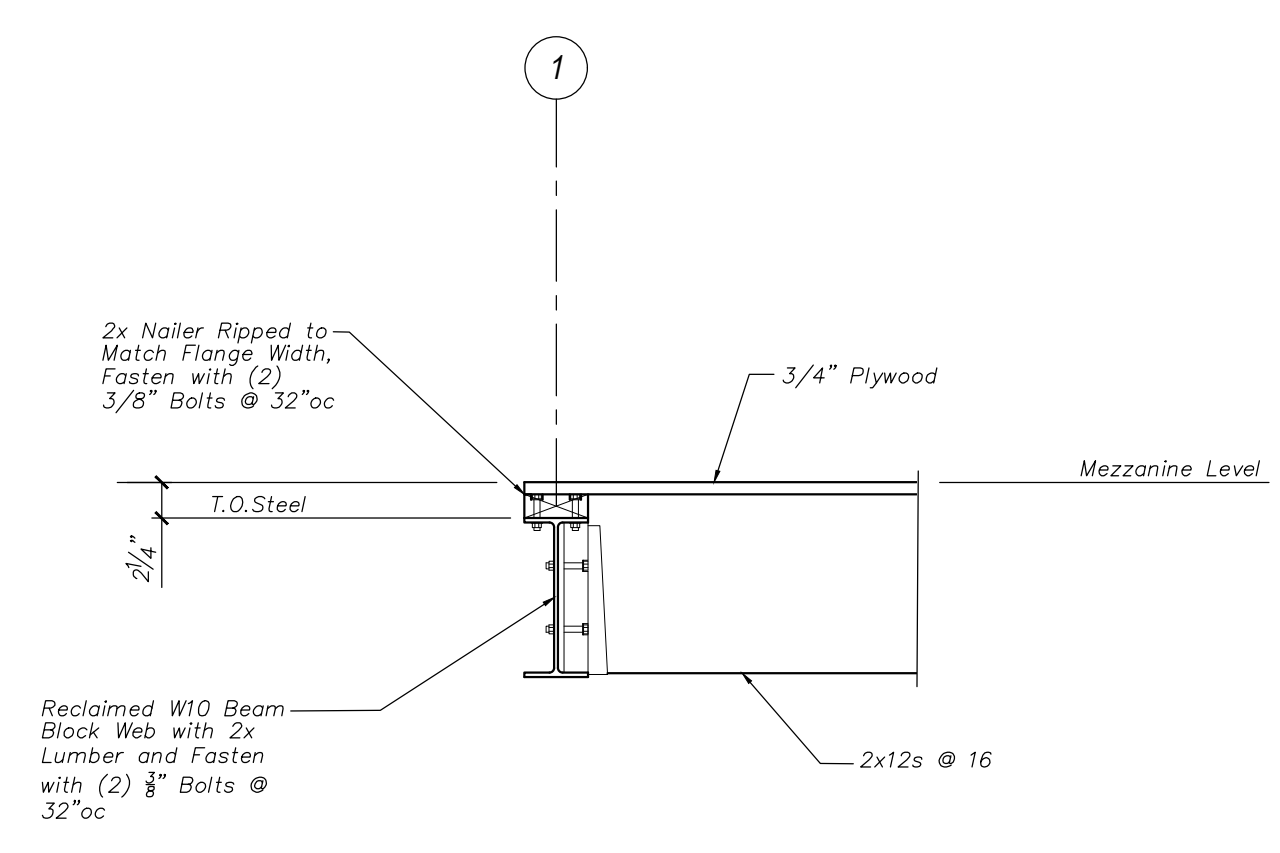
SECTION 5
Scale: 1/4" = 1'-0"



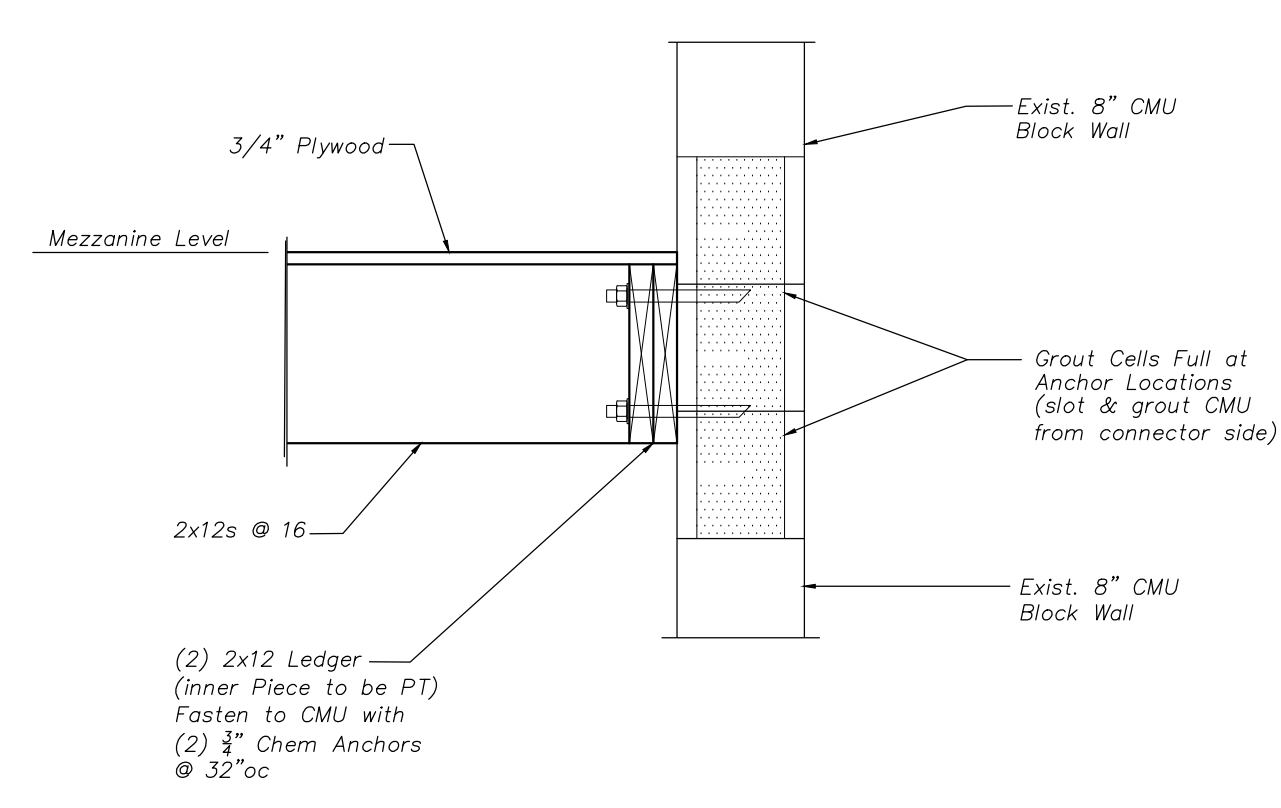
DETAIL C
Scale: 1" = 1'-0"



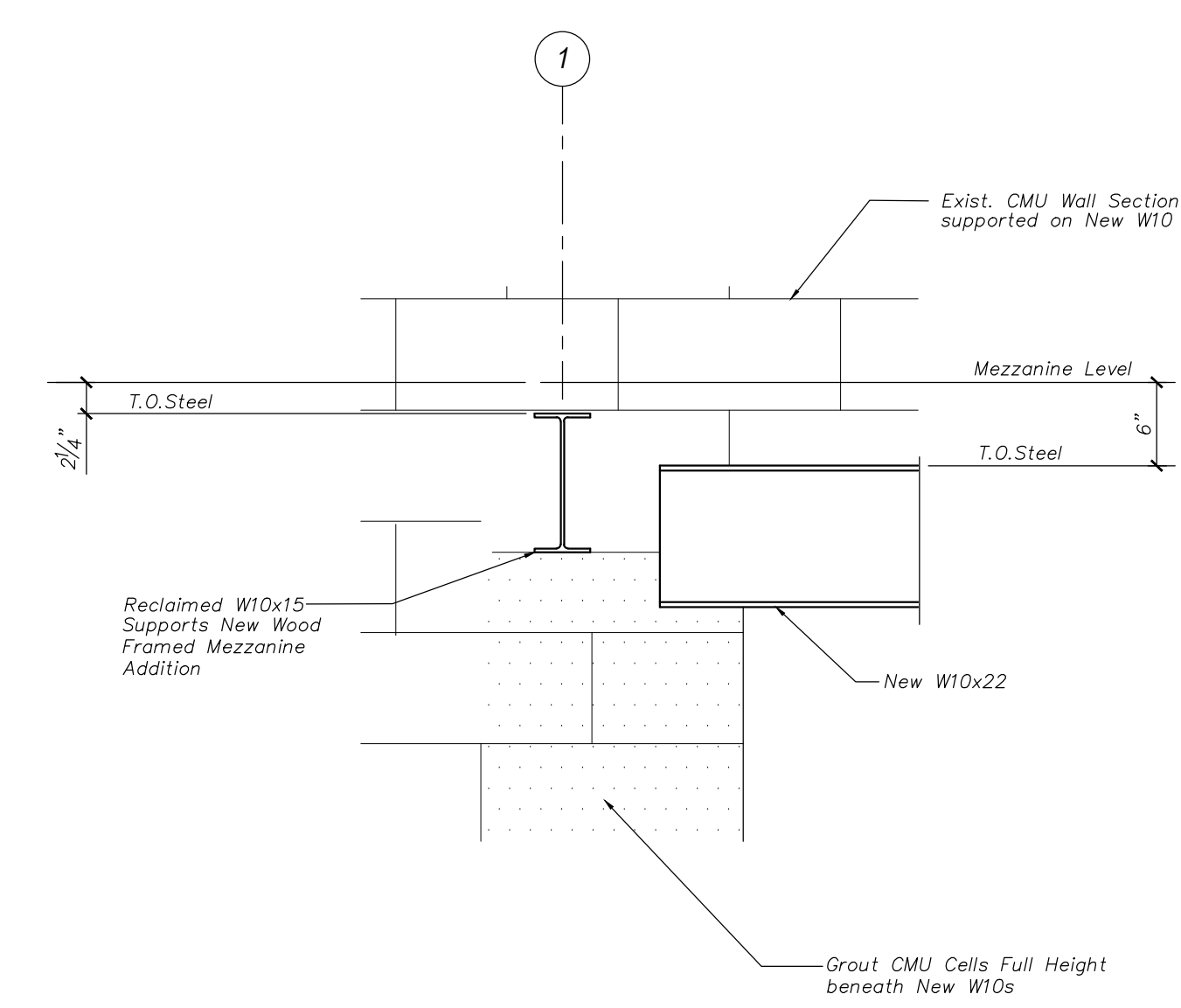
DETAIL D
Scale: 1" = 1'-0"



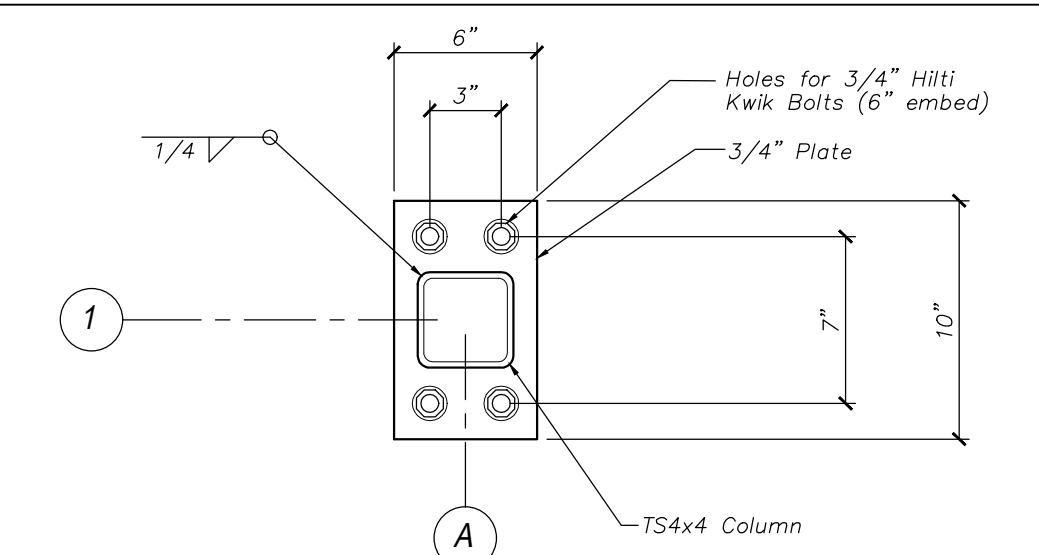
DETAIL E
Scale: 1" = 1'-0"



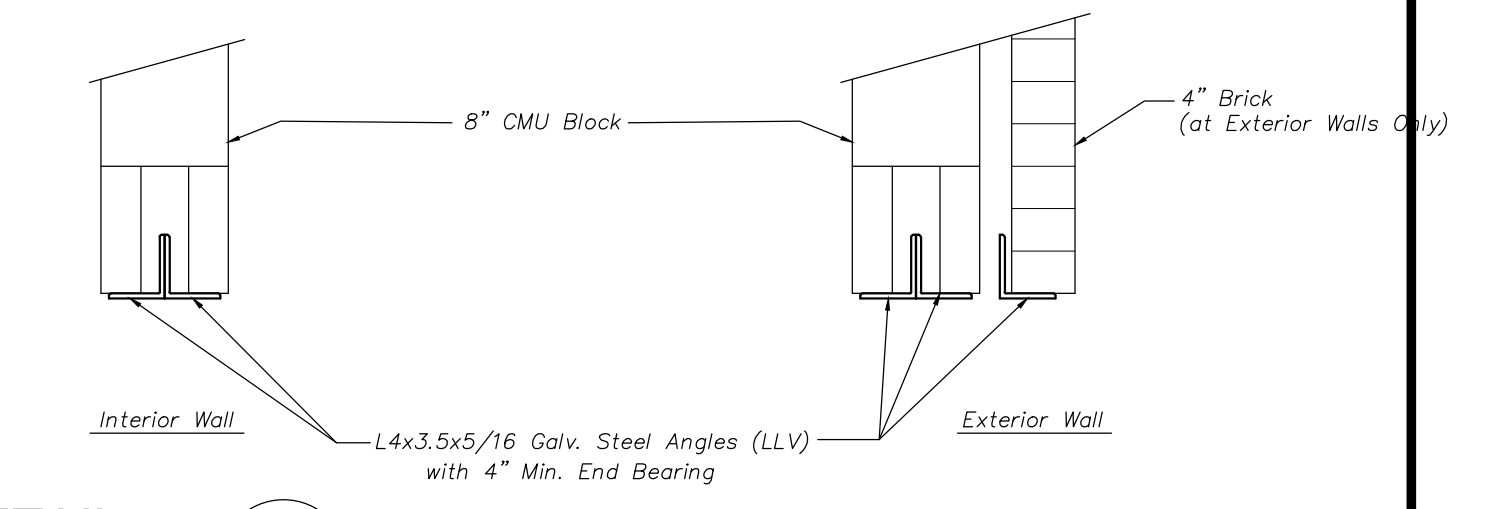
DETAIL F
Scale: 1" = 1'-0"



DETAIL G
Scale: 1" = 1'-0"



DETAIL H
Scale: 1" = 1'-0"



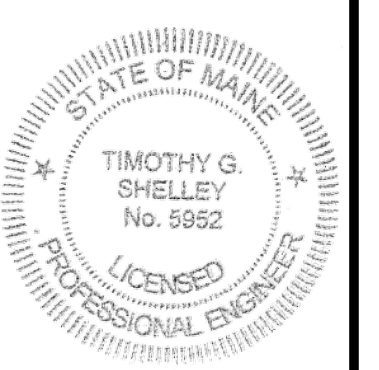
DETAIL J
Scale: 1" = 1'-0"

12-21-16 ISSUED FOR REVIEW

SEI
Shelley Engineering, Inc.
Structural Consultants
P.O. Box 1030
Gray, Maine 04039
Phone (207) 687-8031
www.ShelleyEngineering.com

ME
Proposed Improvements
Peaks Island Community Center
&
Library
Peaks Island

Issue	Date
Progress	11/28/16
Progress	12/8/16
Client Review	12/10/16
Review	12/21/16



SHEET TITLE:
Sections & Details
S3 of 3
SEI Job # 2016-194