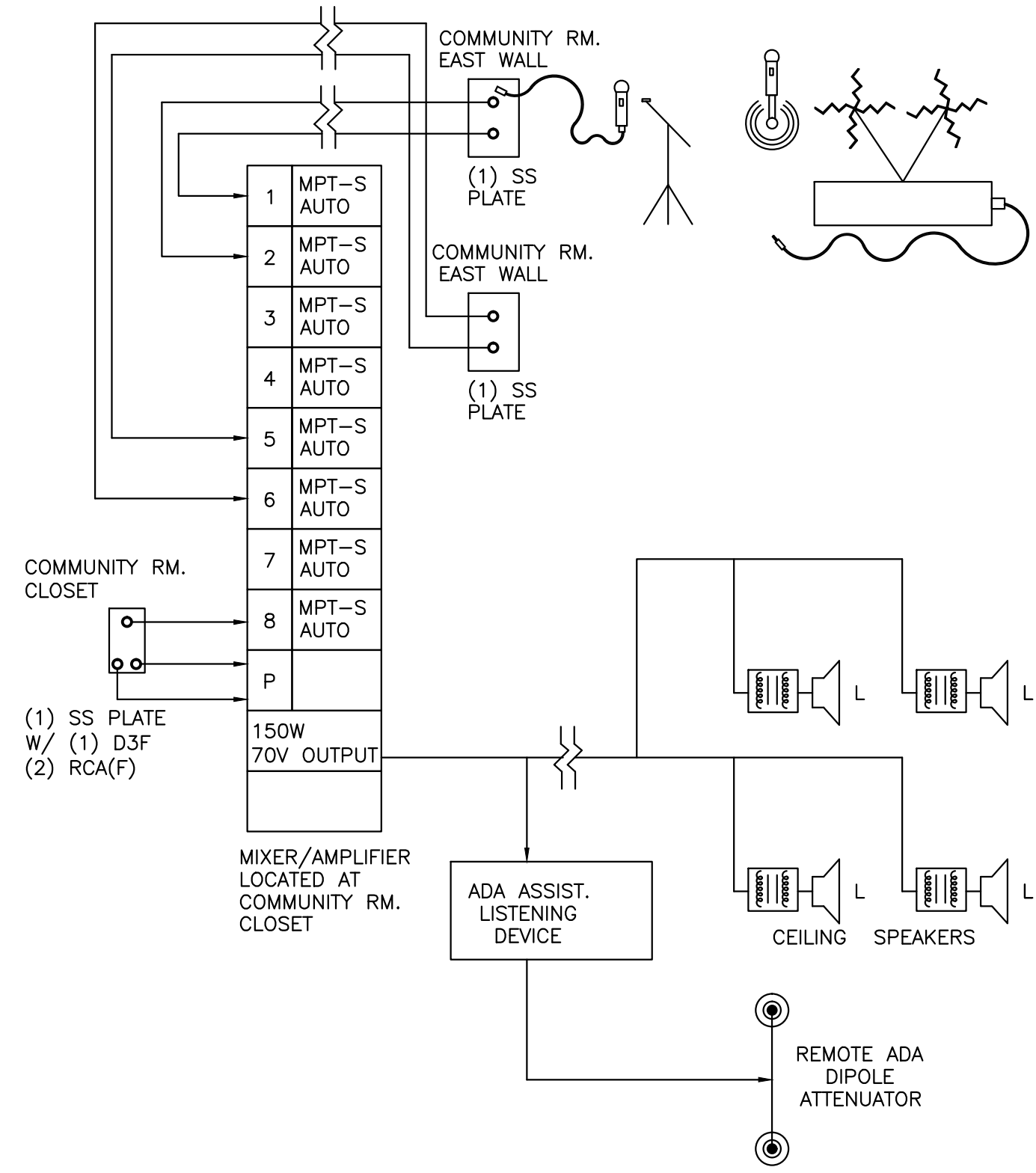
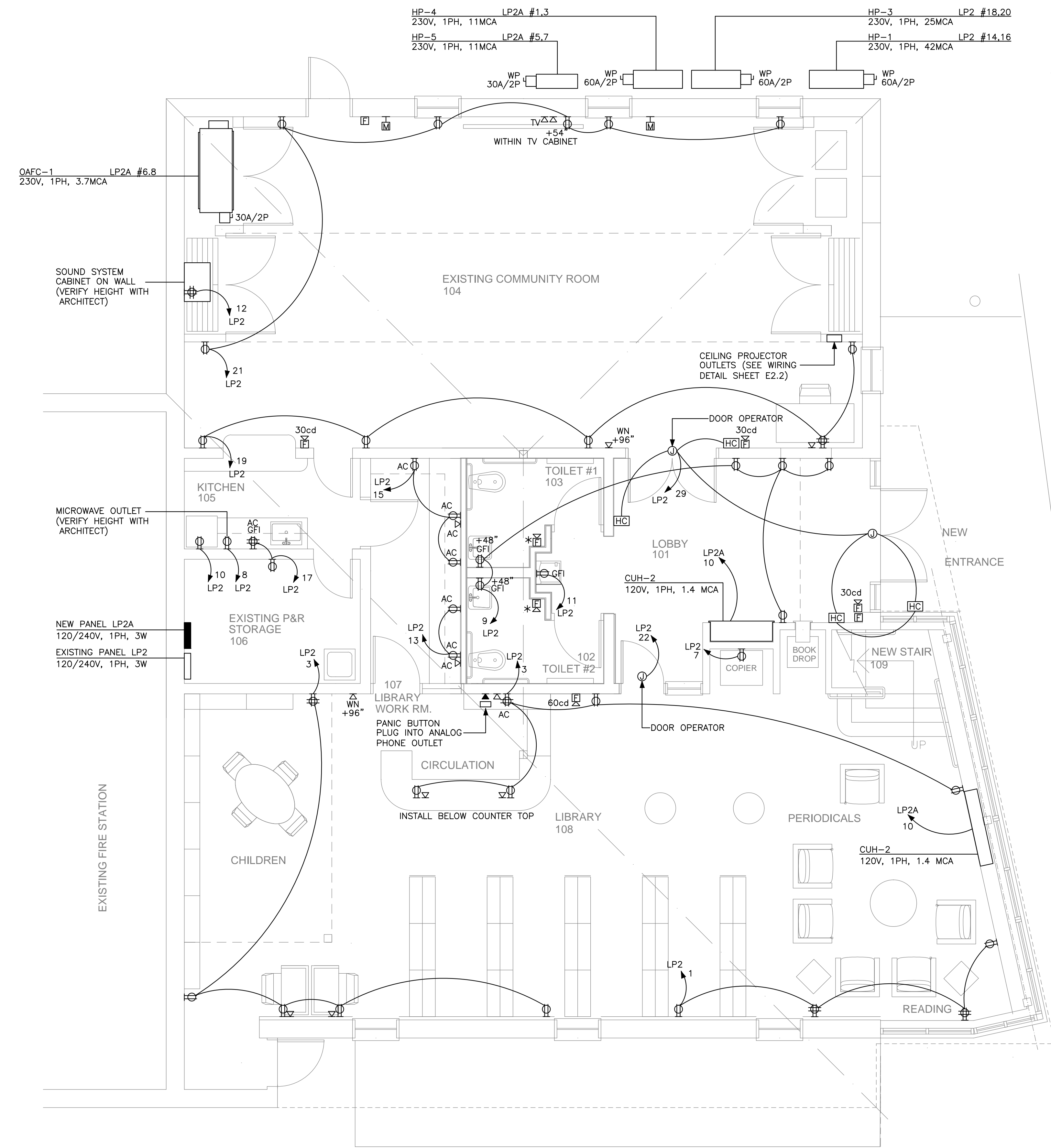


ELECTRICAL SYMBOLS

SYMBOL	DESCRIPTION	SYMBOL	DESCRIPTION
	125V, 20A, DUPLEX GROUND RECEPTACLE GFI = Ground Fault Interrupt AC = 6" Above Counter or Sink WP = Weatherproof		PROJECTION SPEAKER
	QUAD RECEPTACLE		WALL MOUNTED SPEAKER L = Indicates Local Sound System
	250V, SINGLE GROUND RECEPTACLE Indicates Ampere Rating		CEILING MOUNTED SPEAKER
	SIMPLEX DATA NETWORK OUTLET WN - Indicates Wireless Network Outlet		MICROPHONE OUTLET
	DUPLEX DATA NETWORK OUTLET		WALL MTD MOTION DETECTOR
	RECESSED FLOOR BOX (Contents May Vary, See Plan for Details)		CLG MTD MOTION DETECTOR
	CABLE TELEVISION OUTLET		HOMERUN TO PANELBOARD Indicates No. of Wires, Excluding Ground Circuit No., Panelboard Designation
	JUNCTION BOX		
	ELECTRICAL PANELBOARD (See Plan for Details and Mounting)		
	HANDICAP DOOR OPERATOR		
	DOOR HOLDER		
	FIRE ALARM AUDIO/VISUAL INDICATOR Indicates Visual Only, No Horn Candela Rating		
	FIRE ALARM PULL STATION		
	FIRE ALARM HEAT DETECTOR		
	FIRE ALARM SMOKE DETECTOR Indicates Duct Mounted		
	FIRE ALARM TAMPER SWITCH		
	FIRE ALARM FLOW SWITCH		



COMMUNITY ROOM SOUND SYSTEM RISER DIAGRAM



HEAT PUMP CIRCUITS:
 HP-1 2#6, 1#8G, 3/4"CDT.
 HP-3 2#6, 1#8G, 3/4"CDT.
 HP-4 2#6, 1#8G, 3/4"CDT.
 HP-5 2#10, 1#12G, 3/4"CDT.

PROVIDE 3#12, 1#12G, 3/4"CDT.
 BETWEEN EACH FAN COIL UNIT AND
 THEIR RESPECTIVE OUTDOOR HEAT PUM.
 (SEE SHEET M3.0)

PROVIDE 3#6, 1#18G, 1"CDT.
 BETWEEN EXISTING PANEL LP2 AND
 NEW PANEL LP2A FOR SERVICE
 FEEDER

ARCHITECT:
REED & CO. ARCHITECTURE
 46 CUMBERLAND AVE
 PORTLAND, ME 04101
 207 871 5678

INTERIOR DESIGNER:
COLE DESIGN
 PO BOX 381
 KITTERY, ME 03904
 207 653 0083

STRUCTURAL ENGINEER:
SHELLEY ENGINEERING
 PO BOX 1030
 GRAY, ME 04039
 207 657 8031

MECHANICAL ENGINEER:
HOLBROOK ENGINEERING
 52 HEATH RD
 SACO, ME 04072
 207 283 9127

ELECTRICAL ENGINEER:
BARTLETT DESIGN
 942 WASHINGTON STREET
 BATH, MAINE 04530
 207 443 5447

PROPOSED IMPROVEMENTS

PEAKS ISLAND COMMUNITY CENTER & LIBRARY

Title:
FIRST FLOOR POWER

Sheet No.
E1.1

Scale: 1/4" = 1'-0"
 Date: 12/12/16
 Revised:

