

ARCHITECT:
REED & CO. ARCHITECTURE
 48 CUMBERLAND AVE
 PORTLAND, ME 04101
 207 871 5678

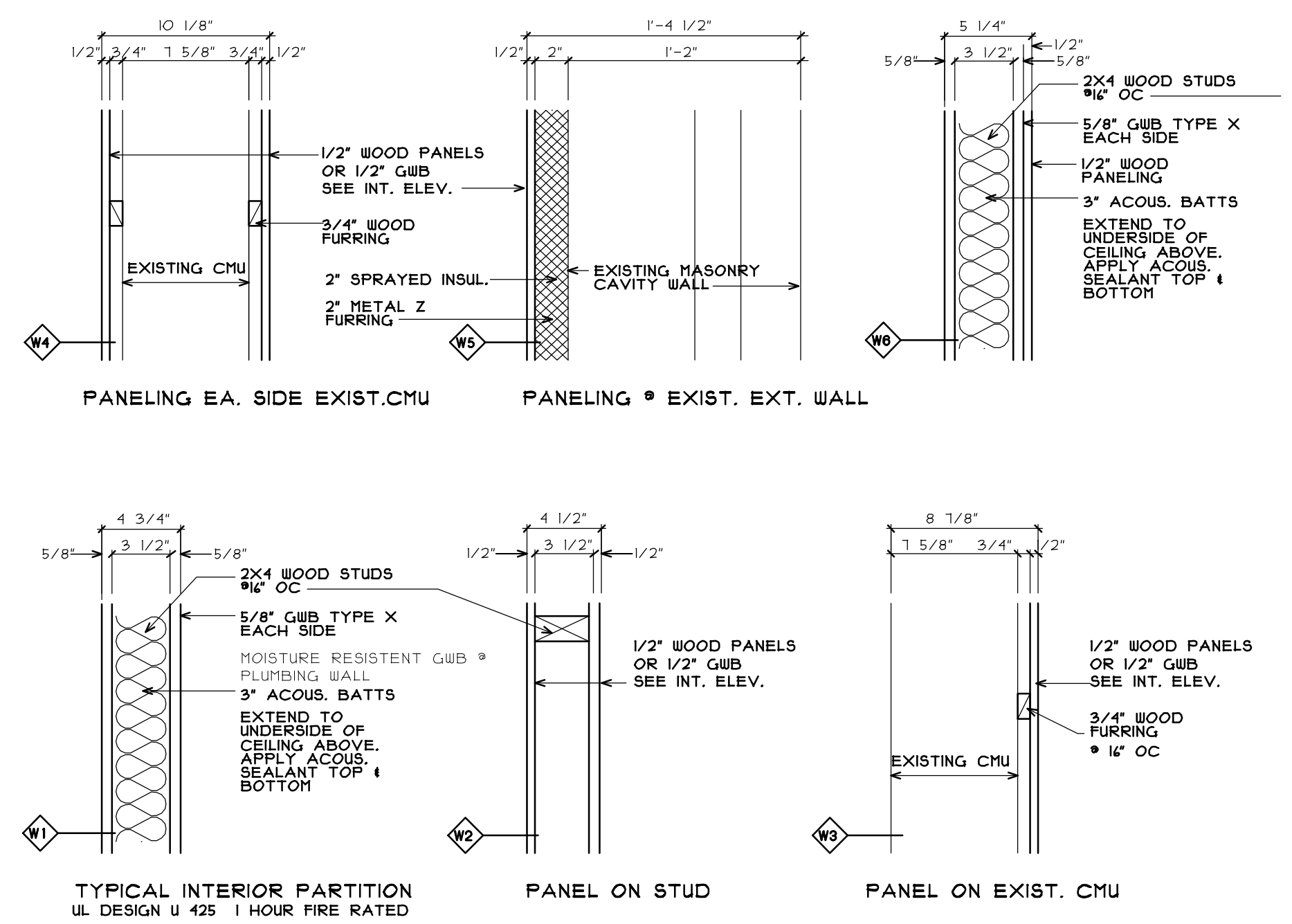
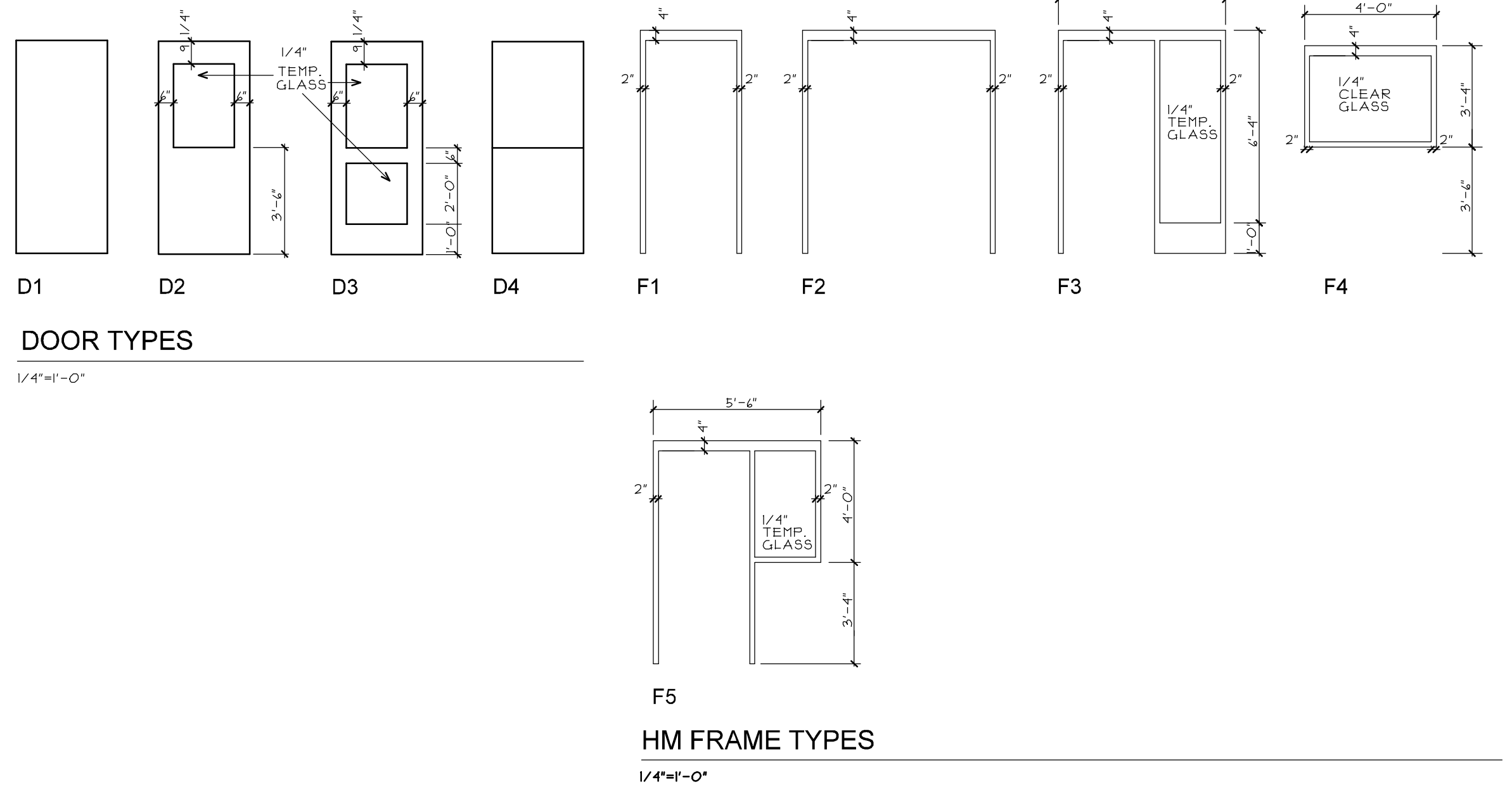
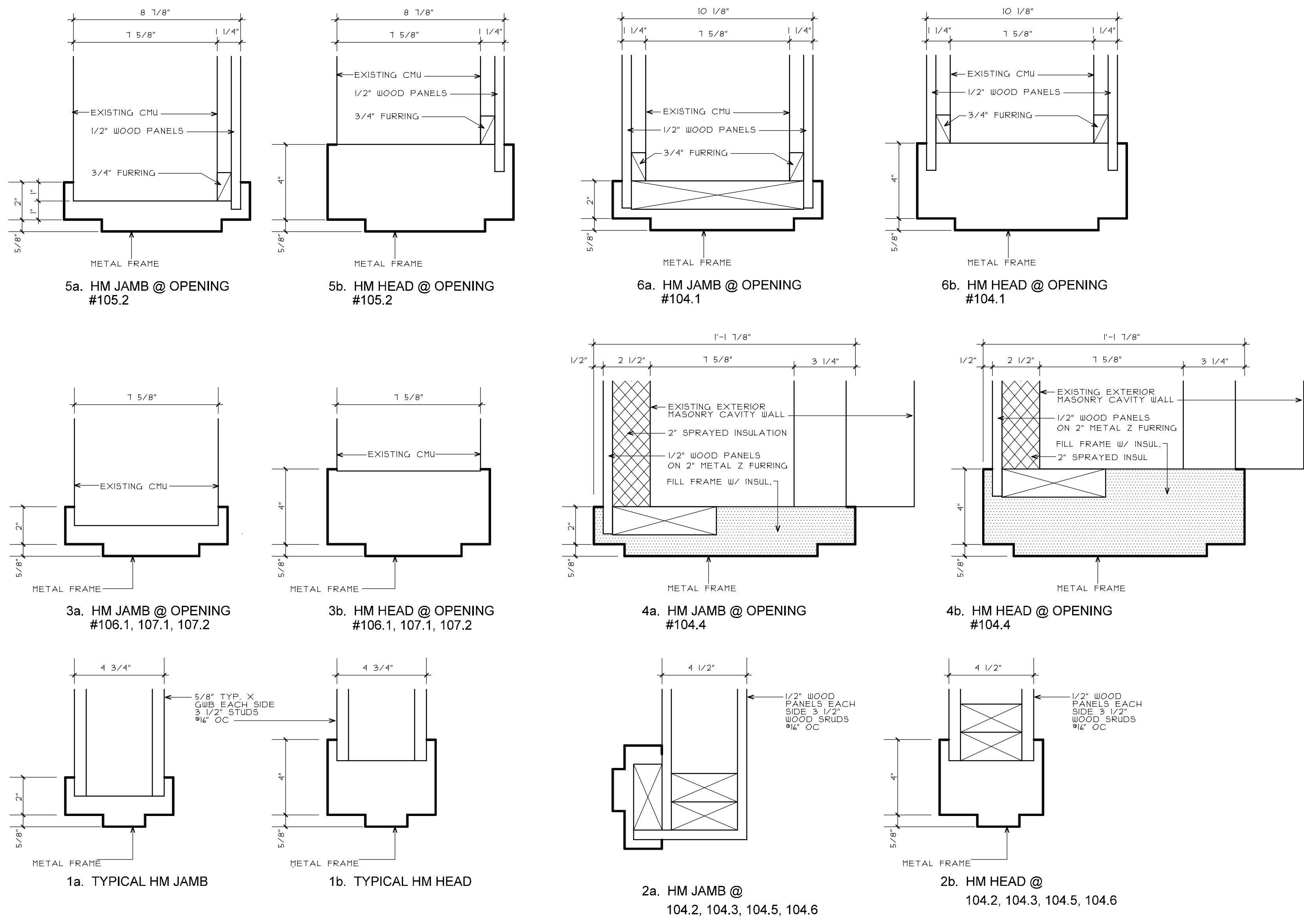
INTERIOR DESIGNER:
COLE DESIGN
 PO BOX 381
 KITTERY, ME 03904
 207 853 0883

STRUCTURAL ENGINEER:
SHELLEY ENGINEERING
 PO BOX 1030
 GRAY, ME 04039
 207 857 8031

MECHANICAL ENGINEER:
HOLBROOK ENGINEERING
 52 HEATH RD
 SACO, ME 04072
 207 283 9127

ELECTRICAL ENGINEER:
BARTLETT DESIGN
 842 WASHINGTON STREET
 BATH, MAINE 04530
 207 443 5447

NO.	NOMINAL SIZE	DOOR				FRAME					REMARKS	
		THICK.	MAT.	FINISH	TYPE	MAT.	FINISH	TYPE	HEAD	JAMB		THRESH.
101J	PR 3'-0" X 1'-0"	1 3/4"	ALUM.	PREFIN.		ALUM.	PREFIN.					ALUM. ENTRANCE, AUTO OPENER
1021	3'-0" X 1'-0"	1 3/4"	WOOD	TRANS.	DJ	HM	PAINT	FI	1b	1a		
1031	3'-0" X 1'-0"	1 3/4"	WOOD	TRANS.	DJ	HM	PAINT	FI	1b	1a		
1041	PR 3'-0" X 1'-0"	1 3/4"	WOOD	TRANS.	D2	HM	PAINT	F2	4b	4a		AUTO OPENER
1042	FR 3'-0" X 1'-0"	1 3/4"	WOOD	TRANS.	DJ	HM	PAINT	F2	2a	2a, 2b		
1043	FR 3'-0" X 1'-0"	1 3/4"	WOOD	TRANS.	DJ	HM	PAINT	F2	2a	2a, 2b		
1044	2'-8" X 1'-0"	1 3/4"	METAL	PAINT	DJ	HM	PAINT	FI	4a	4b		
1045	FR 3'-0" X 1'-0"	1 3/4"	WOOD	TRANS.	DJ	HM	PAINT	F2	2a	2a, 2b		
1046	FR 3'-0" X 1'-0"	1 3/4"	WOOD	TRANS.	DJ	HM	PAINT	F2	2a	2a, 2b		
1051												
1052	2'-10" X 1'-0"	1 3/4"	WOOD	TRANS.	D2	HM	PAINT	FI	5b	5a		
1061	2'-4" X 1'-0"	1 3/4"	METAL	PAINT	DJ	HM	PAINT	FI	3b	3a		1 HOUR FIRE RATED
1071	3'-0" X 1'-0"	1 3/4"	WOOD	TRANS.	DJ	HM	PAINT	FI	3b	3a		
1072	3'-0" X 1'-0"	1 3/4"	WOOD	TRANS.	D4	HM	PAINT	F5	5b	5a		
1081	3'-0" X 1'-0"	1 3/4"	WOOD	TRANS.	D3	HM	PAINT	F3	1b	1a		AUTO OPENER, UNDER-CUT 3/4"
1082	3'-0" X 1'-0"	1 3/4"	METAL	PAINT	DJ	HM	PAINT	FI	4b	4a		
2011	4'-0" X 1'-8"					HM	PAINT	F4	5b	5a		
2021	3'-0" X 1'-0"	1 3/4"	WOOD	TRANS.	DJ	HM	PAINT	FI	1b	1a		1 HOUR FIRE RATED
2031	3'-0" X 1'-0"	1 3/4"	WOOD	TRANS.	D2	HM	PAINT	FI	1b	1a		
2032	4'-0" X 1'-8"					HM	PAINT	F4	5b	5a		



FRAME DETAILS

3" = 1'-0"

WALL TYPES

1 1/2" = 1'-0"

PROPOSED IMPROVEMENTS

PEAKS ISLAND COMMUNITY CENTER & LIBRARY

Title: SCHEDULES & DETAILS
 WALL TYPES
 Sheet No.

A7.1

Scale: AS NOTED
 Date:
 Revised:

12-21-16 Issued for Review
 12-23-16 Revised per Review