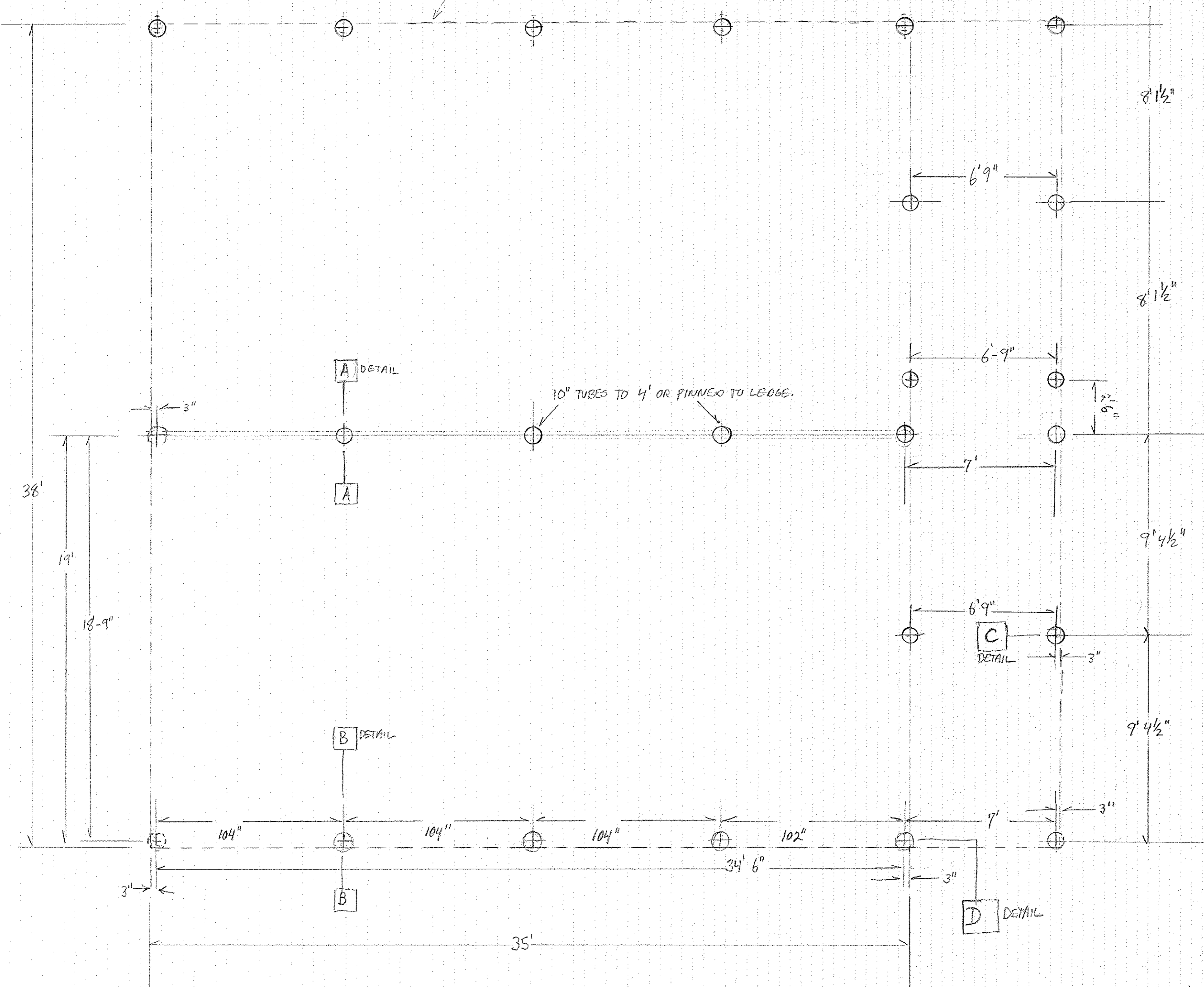


FOUNDATION PLAN

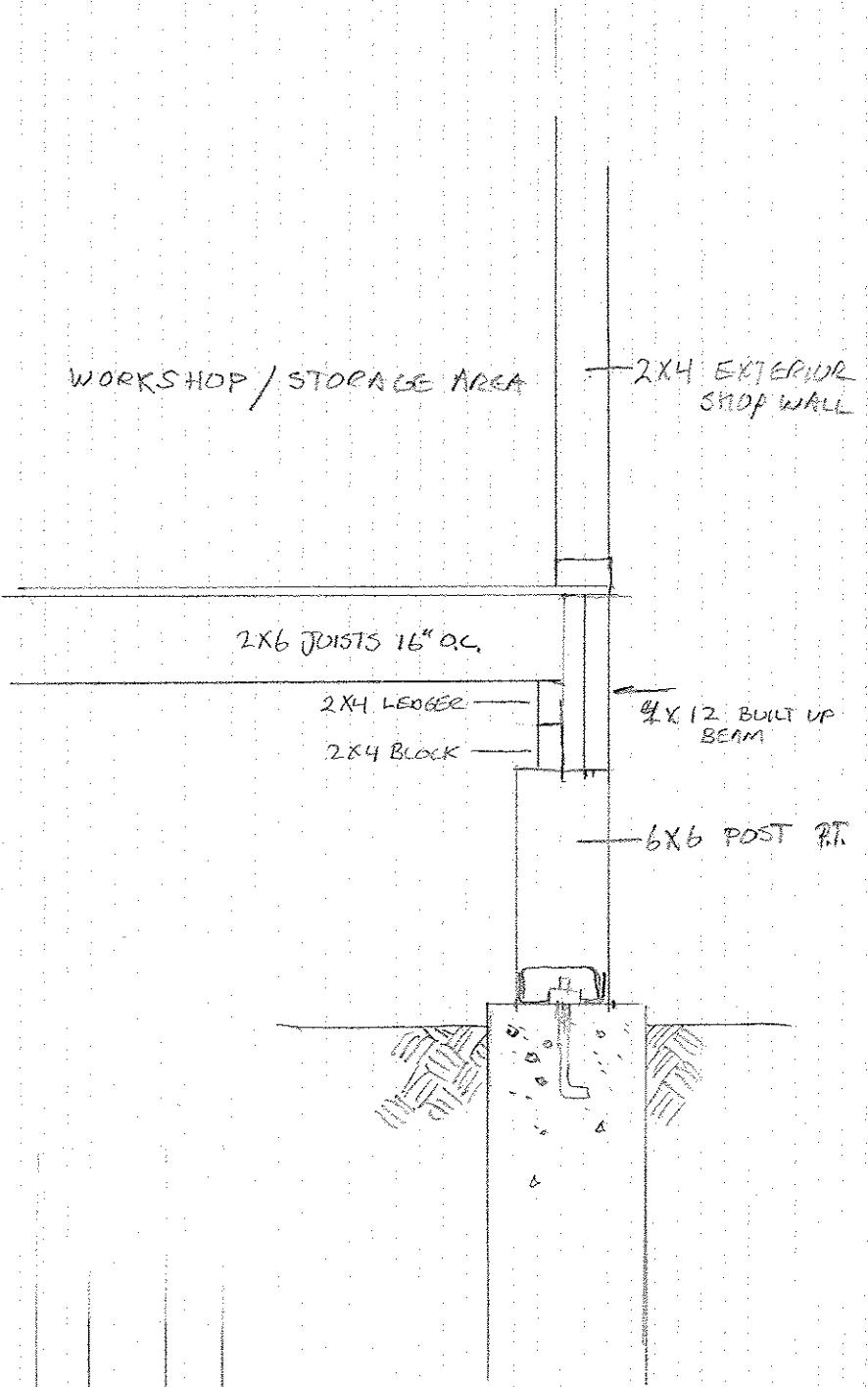
SCALE 1/4" = 1' K-Y = 1'

--- BUILDING LINE



DETAIL

C



DETAIL

D

