

12RLS2 Submittal



AOU12RLS2, ASU12RLS2 Inverter Driven Heat Pump

Job Name: Eleanor Morse
 Location: 45 Pleasant Ave, Peaks Island
 Engineer: n/a
 Submitted to: City of Portland
 Submitted by: Hoggin Energy
 Reference: n/a

Approval: _____
 Date: _____
 Construction: _____
 Unit #: _____
 Drawing #: _____

Outdoor Unit Power 208-230VAC-1Ph-60Hz
 Available Voltage Range 187-253VAC
 Fuse Size, Max. 20A
 MCA 10.5A

Compressor Inverter Driven Variable Speed DC Rotary
 No. used 1
 Output 850W
 Lubricant Oil POE (RB68)
Fan type Propeller
 Motor Output 115W
 Airflow Rate Cooling/Heating (High) 1206 / 1082CFM

Refrigerant R410A
 Outdoor Unit 2lbs 10oz
 Control Electronic Expansion Valve
 O.D. Discharge (in) 1/4" (Flare)
 O.D. Suction (in) 3/8" (Flare)

Dimensions H x W x D
 Uncrated (in) 24-1/2 x 31-3/32 x 11-11/32
 (mm) (620 x 790 x 290)
 Crated (in) 28-1/16 x 37-7/32 x 15-9/16
 (mm) (713 x 945 x 395)

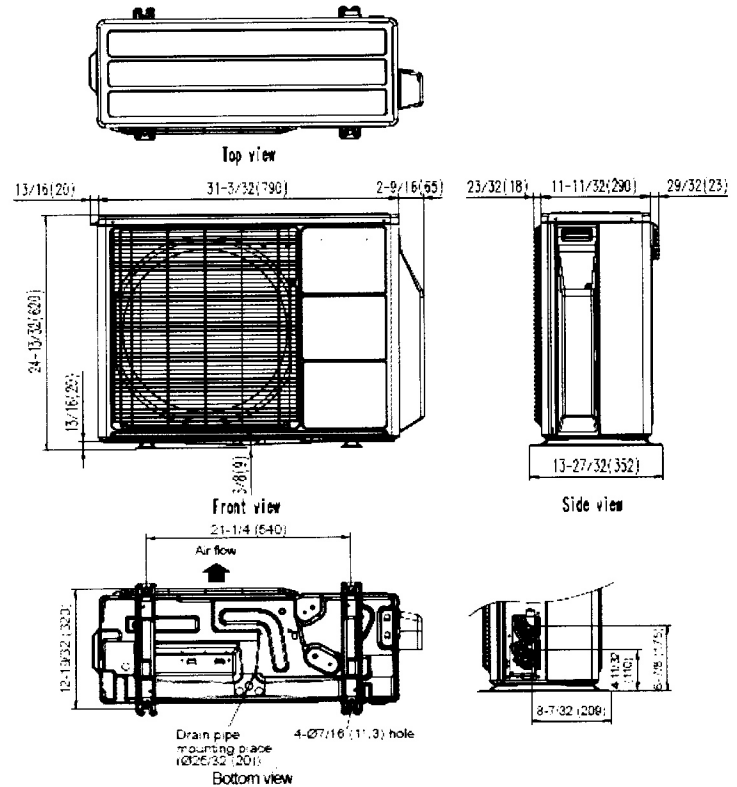
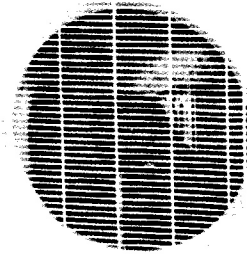
Weight Outdoor
 Net 84lbs (38kg)
 Gross Shipping 93lbs (42kg)

Cooling
 Rated Capacity 12,000BTU/h
 Min-Max Capacity 3,100~13,600BTU/h
 Rated Power Input 3.52kw
 Max. Power Input 4.00kw
 SEER 25
 Outdoor Sound Rating 49dB

Heating
 Rated Capacity 16,000BTU/h
 Min-Max Capacity 3,100~22,100BTU/h
 Rated Power Input 4.69kw
 Max. Power Input 6.5kW
 HS PF 12
 Outdoor Sound Rating 50dB

Piping Lengths
 Max. Piping Length (Total) 66ft
 Max. Pipe Height Difference 49ft
 Connection method (Flared)

Operating Range
 Cooling 14°F~115°F DB
 Heating -5°F~75°F DB



Fujitsu General America, Inc.
 Fairfield, NJ 07004
 Toll Free: 1-888-888-3424
 Fax: (973) 836-0447
 www.fujitsugeneral.com

Fujitsu products are subject to continuous improvements. Fujitsu reserves the right to modify product design, specifications and information in this data sheet without notice and without incurring any obligations.

Note: Specifications are based on the following conditions.

Power source of specifications : 230V

Cooling: Indoor temperature of 80°F(26.67°C)DB / 67°F(19.44°C)WB, and outdoor temperature of 95°F(35°C)DB/75°F(23.89°C)WB.

Heating: Indoor temperature of 70°F(21.11°C)DB / 60°F(15.56°C)WB, and outdoor temperature of 47°F(8.33°C)DB/43°F(6.11°C)WB.

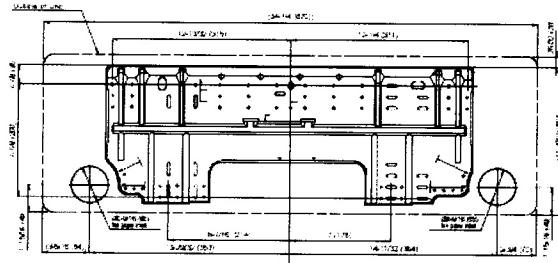
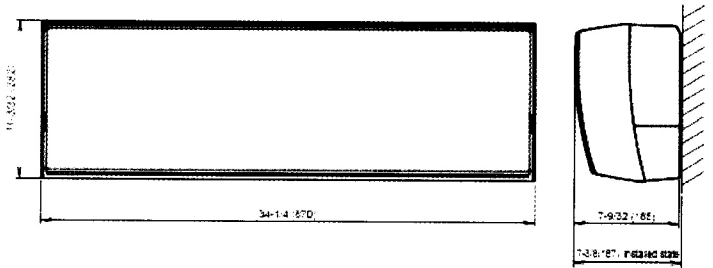
Pipe length : 24ft. 7in.(7.5m), Height difference : 0 ft.(0m) [Outdoor unit - Indoor unit]



Morse



Inoor Unit Power	208-230VAC-1Ph-60Hz	
Available Voltage Range	187-253VAC	
Fan type	Cross flow	
Motor Output	29W	
MC/A	0.4A	
Sound Pressure Level		
Cooling	Lo-Hi	21-43dB
Heating	Lo-Hi	21-43dB
Airflow rate		
Cooling	Lo-Hi	194-500dB
Heating	Lo-Hi	194-500dB
Dimensions H x W x D		
Un crated	(in)	11-3/32 x 34-1/4 x 7-9/32
	(mm)	(282 x 870 x 185)
Crated	(in)	9-23/32 x 36-7/32 x 14-11/16
	(mm)	(247 x 920 x 373)
Weight Indoor		
Net	21lbs (9.5kg)	
Gross Shipping	27lbs (12kg)	



Fujitsu General America, Inc.
 Fairfield, NJ 07004
 Toll Free: 1-888-888-3424
 Fax: (973) 836-0447
 www.fujitsugeneral.com

Fujitsu products are subject to continuous improvements. Fujitsu reserves the right to modify product design, specifications and information in this data sheet without notice and without incurring any obligations.



Eleanor Morse
45 Pleasant Ave
Peaks Island, ME
Hoggin Energy



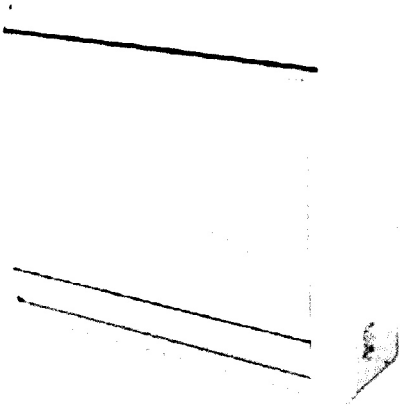
- [Request Account](#)
- [Sign In](#)
- [Contact Us](#)
- [Resources](#)
- [Find a Store](#)

[View Mfr. List](#)

- [HVAC Equipment](#)
- [HVAC Parts](#)
- [Heating & Cooling](#)
- [Mixers](#)
- [Refrigeration](#)
- [Coolers](#)
- [Ducting, Tools & Fitting](#)
- [Thermostats](#)
- [Ventilation & IAQ](#)

Home > Specialty > Ductless Mini-Splits > Single Zone >

[Enlarge Image](#)



15K Flex HP Floor Mounted unit

Amps Cooling: 1.8; BtuH Cooling: 14,200; BtuH Heating: 18,000; CFM High: 383; Depth: 7-7/8"; Height: 23-5/8"; Liquid Conn.: 1/4"; Max. Fuse Size: 20; Mfg. #: AGU15RLF; SEER: 20.3; Suction Fitting: 1/2"; Unit Type: Indoor; Volts: 208/230; Width: 29-1/8"; Wt. Lbs.: 31;

Order #: **B74-706** Catalog Page #: **609**
 Mfg. #: **AGU15RLF** Shipping Weight: **31.00**
 Brand: [Fujitsu](#) Country of Origin: **CHINA**

My Johnstone Supply Price:

[Log In to View Pricing](#)

AVAILABILITY

Store	Status
Login above to see availability	

- [Overview](#)
- Specifications**
- [Compliance & Safety](#)
- [Energy & Manufacturer](#)



Product Specifications

Depth	7-7/8"
Height	23-5/8"
Max. Fuse Size	20
Liquid Conn.	1/4"
Energy Star	Y
SEER	20.3
Suction Fitting	1/2"
Wt. Lbs.	31
Volts	208/230
Amps, Cooling	1.8
CFM High	383
BtuH Cooling	14,200
BtuH Heating	18,000
Width	29-1/8"
Unit Type	Indoor
Shipping Weight	31.00
Shipping Width	29.13
Shipping Length	7.88
Shipping Height	23.63

- Johnstone Info**
 - [About Johnstone Supply](#)
- Contractor Resources**
 - [Tax Credits](#)
 - [eCatalog](#)
- Programs**
 - [Johnstone University](#)
 - [NATE](#)
- Help Center**
 - [Contact Us](#)
 - [Site Overview](#)
- Opportunities**
 - [Corporate Job Openings](#)
- Management**
 - [Board of Directors](#)
 - [Executive Staff](#)