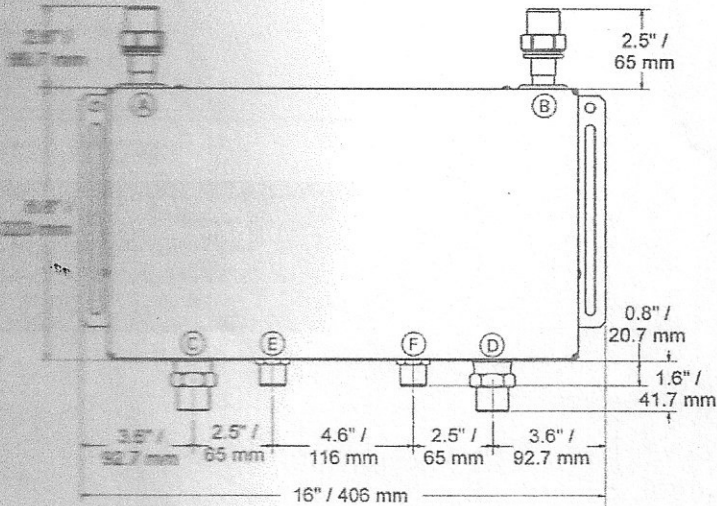
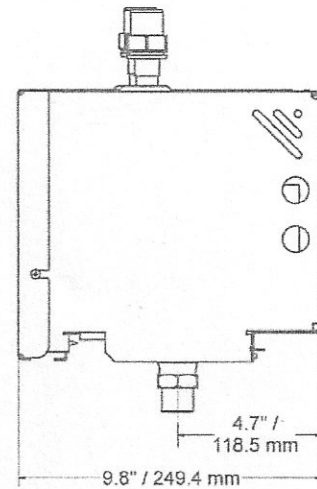


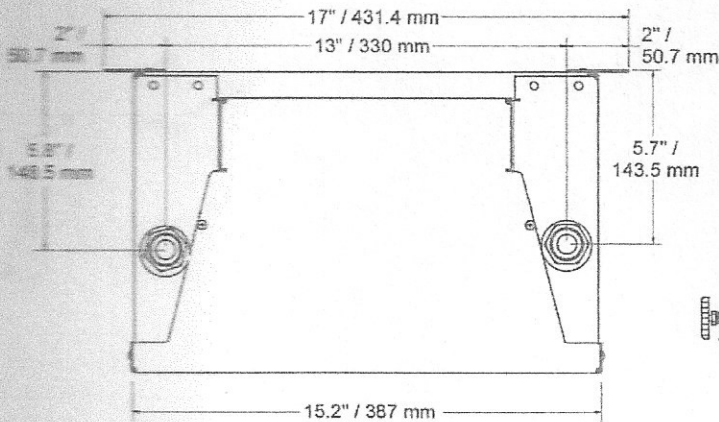
CombiPLUS connections and piping connections



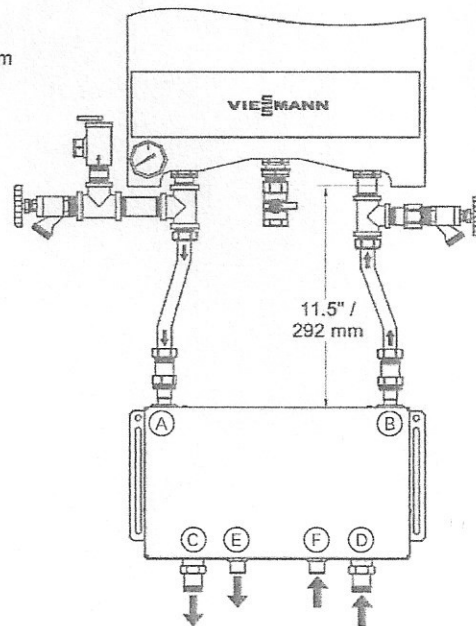
Front view



Side view



Top view



Front view

Legend

- Ⓐ Boiler water supply, NPTM 1/4" (male thread)
- Ⓑ Boiler water return, NPTM 1/4" (male thread)
- Ⓒ System water supply, NPTM 1/2" (male thread)
- Ⓓ System water return, NPTM 1/2" (male thread)
- Ⓔ DHW, NPTM 1/2" (male thread)
- Ⓕ DCW, NPTM 1/2" (male thread)

Shown is the distance between the boiler and CombiPLUS with Viessmann supplied 7" flex piping connection fittings.