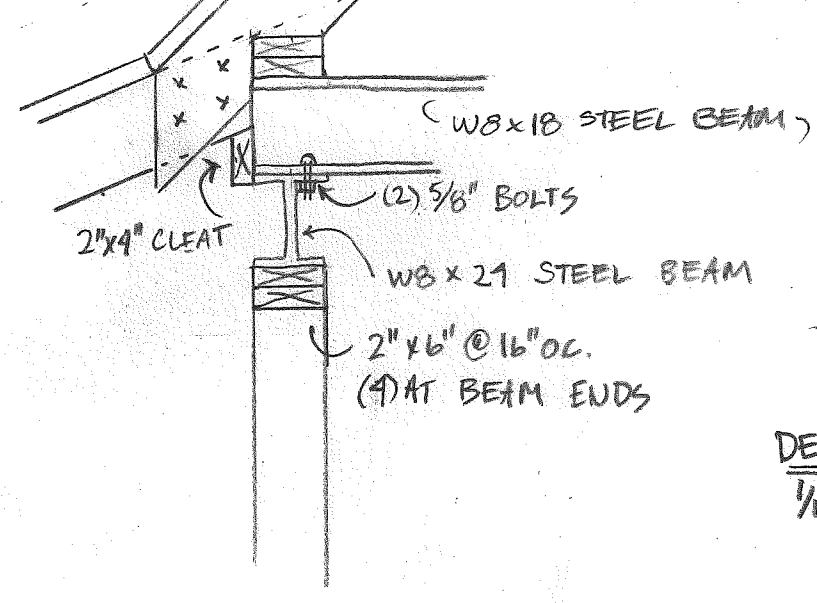
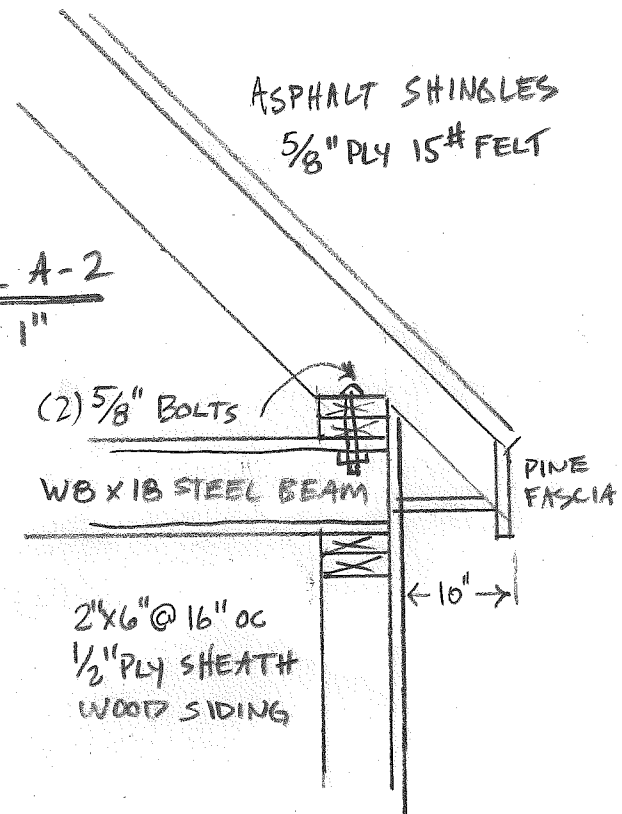


FOUNDATION PLAN  
 1/4" = 1'

ASPHALT SHINGLES  
 5/8" PLY, 15# FELT  
 DETAIL A-1  
 1/16" = 1"



DETAIL A-2  
 1/16" = 1"



DETAIL B1  
 1/16" = 1"

