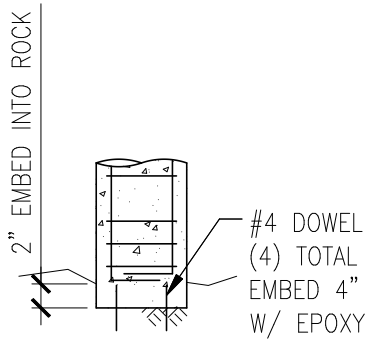
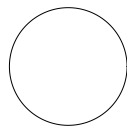
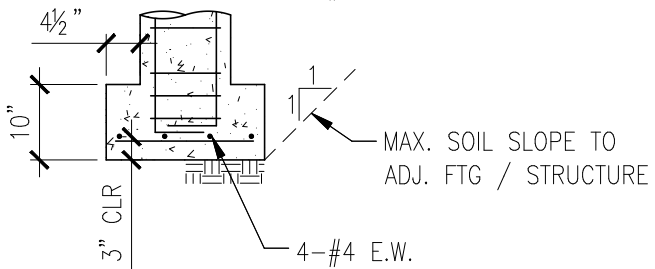
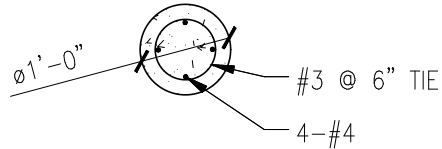


ALT DTL AT ROCK:



NOTE: ROCK SUB-BASE  
TO BE FREE OF LOOSE DEBRIS  
& STANDING WATER



## FOOTING DETAIL

CONCRETE 3,000 PSI

PROJECT: MOAN RESIDENCE  
DATE: NOV. 11, 2012