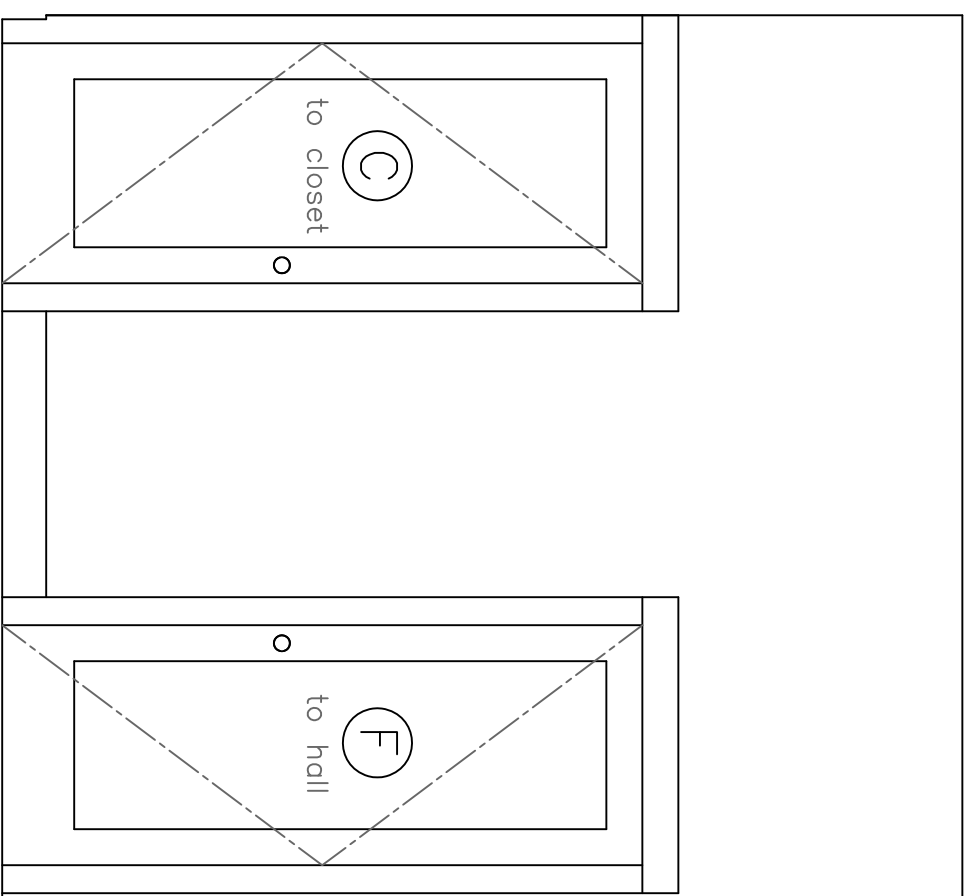


**Rachel Conly**

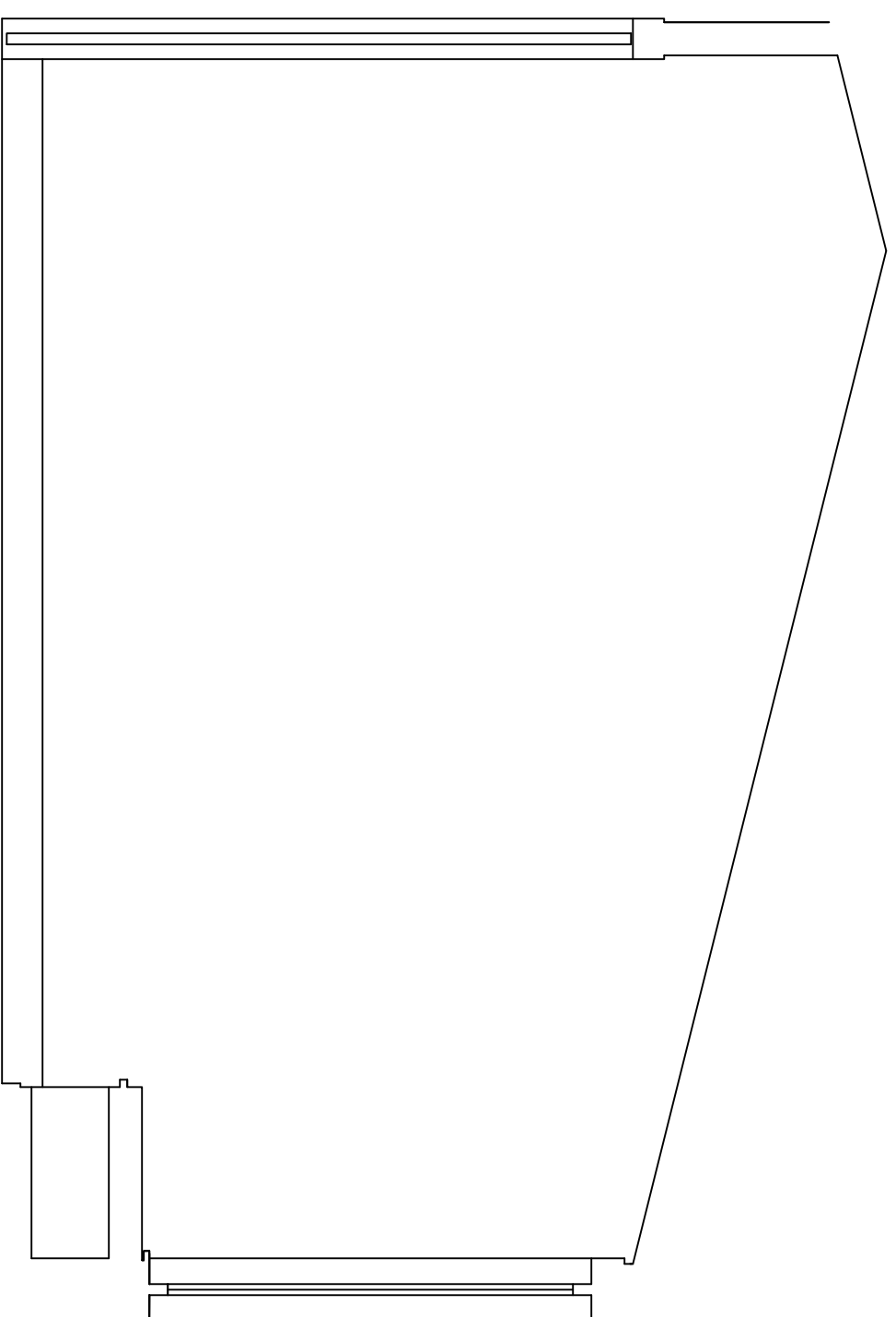
Architectural Design

Peaks Island, Maine 04108  
207.766.5625

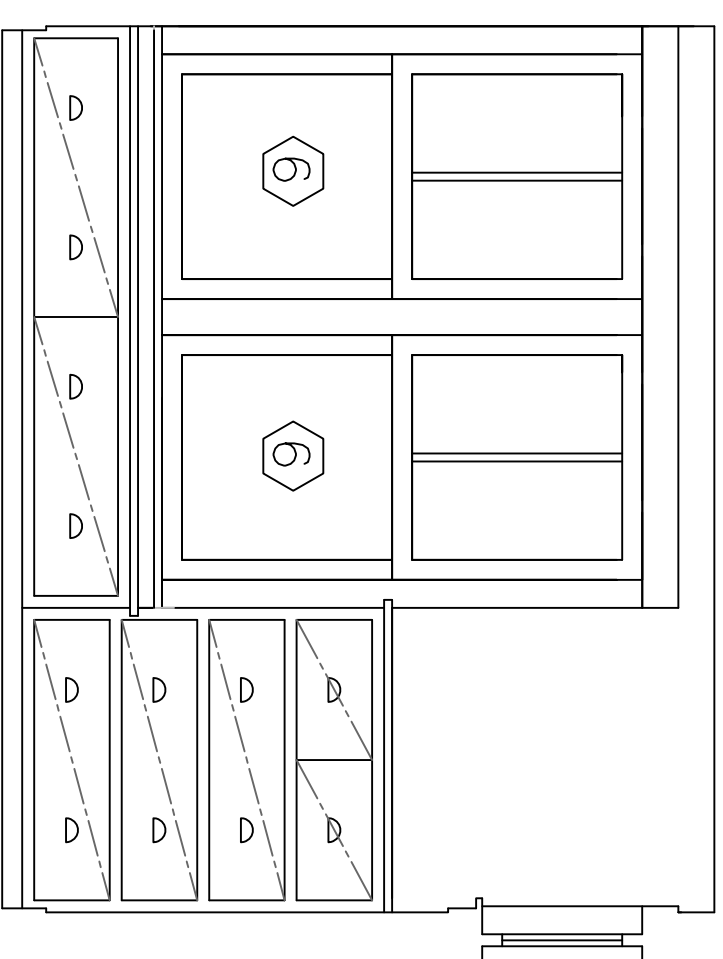
**Proposed Interiors**



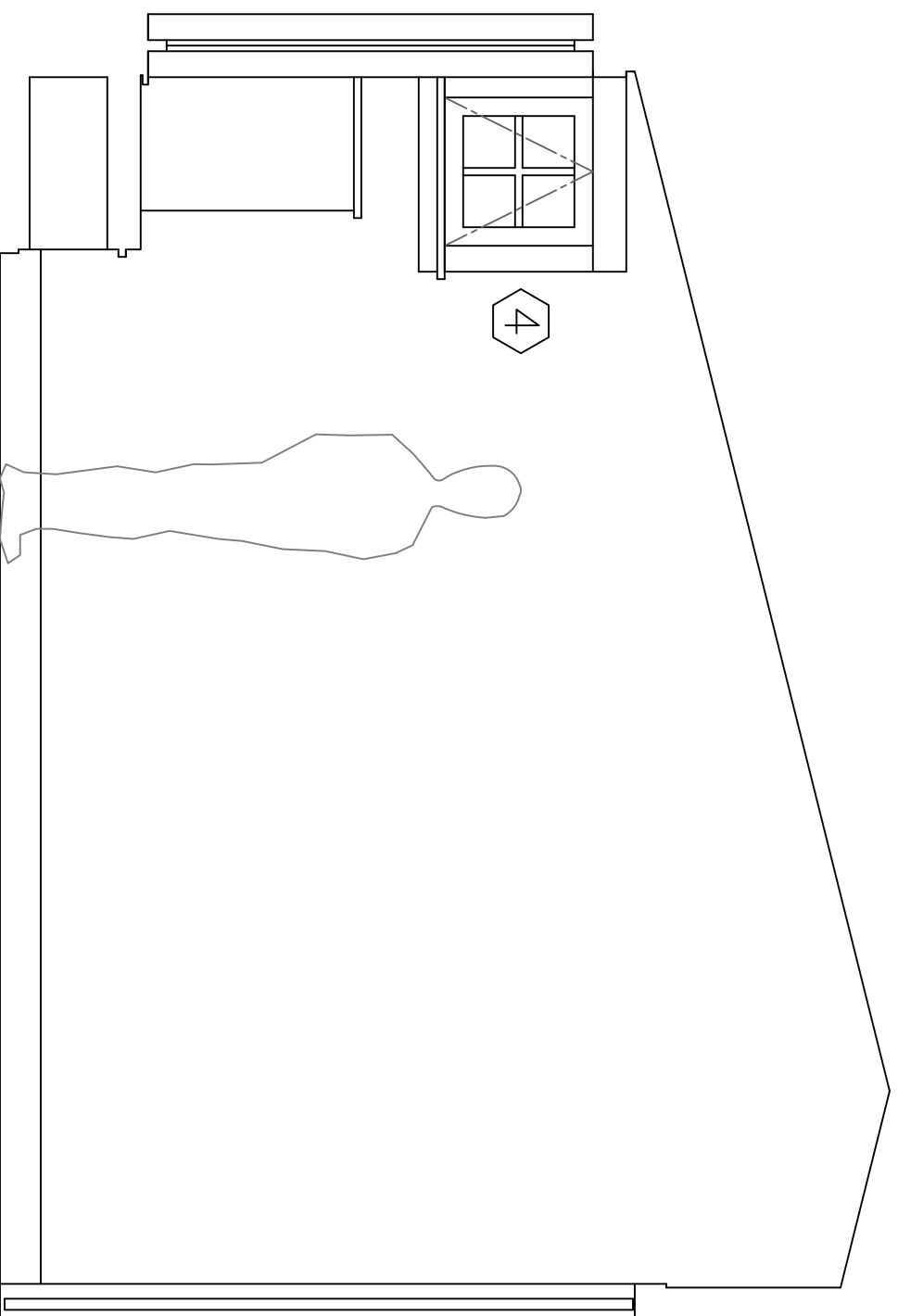
**E** Proposed Second Bedroom One: North  
 $\frac{1}{2}''=1'-0''$



**B** Proposed Second Bedroom One: East  
 $\frac{1}{2}''=1'-0''$



**C** Proposed Second Bedroom One: South  
 $\frac{1}{2}''=1'-0''$



**D** Proposed Second Bedroom One: West  
 $\frac{1}{2}''=1'-0''$

PROJECT  
**Moan Residence**  
186 Seashore Avenue  
Peaks Island, Me.  
04108

DATE 1.4.13 REVISED

SCALE  $\frac{1}{2}''=1'-0''$  DRAWN BY Rachel

NOTES