

DISPLAY THIS CARD ON PRINCIPAL FRONTAGE OF WORK

CITY OF PORTLAND

BUILDING INSPECTION

PERMIT

Permit Number: 040719

Please Read Application And Notes, if Any, Attached

This is to certify that Eighth Maine Reg Mem Assoc Morris, Inc. has permission to Addition of fire alarm system AT 13 8th Maine Ave. 085 N013001

provided that the person or persons, firm or corporation accepting this permit shall comply with all of the provisions of the Statutes of Maine and of the ordinances of the City of Portland regulating the construction, maintenance and use of buildings and structures, and of the application on file in this department.

Apply to Public Works for street line and grade if nature of work requires such information.

Notification of inspection must be given and written permission procured before this building or part thereof is occupied or closed-in. HEAVY NOTICE IS REQUIRED.

A certificate of occupancy must be procured by owner before this building or part thereof is occupied.

OTHER REQUIRED APPROVALS

Fire Dept. [Signature]

Health Dept.

Appeal Board

Other Department Name

[Signature] Director Building & Inspection Services

PENALTY FOR REMOVING THIS CARD

**City of Portland, Maine - Building or Use Permit Application**

		Permit No:	Issue Date:	CBL:
Location of Construction: 13 8th Maine Ave	Owner Name: Eighth Maine Reg Mem Assoc	Owner Address: Maine Ave		Phone: 766-5086
Business Name:	Contractor Name: Norris, Inc.	Contractor Address: 2257 W Broadwav South Portland		Phone 2078833473
Lessee/Buyer's Name	Phone:	Permit Type: Fire Alarm System		Zone:
Past Use: none	Proposed Use: fire alarm system	\$120.00	\$10,752.00	1
Proposed Project Description: Addition of fire alarm system		FIRE DEPT: <input checked="" type="checkbox"/> Approved <input type="checkbox"/> Denied	INSPECTION: Use Group: <i>ALARM ONLY</i> Type: <i>6/9/04</i>	
		Signature: <i>[Signature]</i>		Signature:
		PEDESTRIAN ACTIVITIES DISTRICT (P.A.D.)		
		Action: <input type="checkbox"/> Approved <input type="checkbox"/> Approved w/Conditions <input type="checkbox"/> Denied		
		Signature: _____ Date: _____		
Permit Taken By: iodinea	Date Applied For: 06/03/2004	<b>Zoning Approval</b>		
<ol style="list-style-type: none"> <li>This permit application does not preclude the Applicant(s) from meeting applicable State and Federal Rules.</li> <li>Building permits do not include plumbing, septic or electrical work.</li> <li>Building permits are void if work is not started within six (6) months of the date of issuance. False information may invalidate a building permit and stop all work..</li> </ol>	<b>Special Zone or Reviews</b> <input type="checkbox"/> Shoreland <input type="checkbox"/> Wetland <input type="checkbox"/> Flood Zone <input type="checkbox"/> Subdivision <input type="checkbox"/> Site Plan Maj <input type="checkbox"/> Minor <input type="checkbox"/> MM <input type="checkbox"/> Date: _____	<b>Zoning Appeal</b> <input type="checkbox"/> Variance <input type="checkbox"/> Miscellaneous <input type="checkbox"/> Conditional Use <input type="checkbox"/> Interpretation <input type="checkbox"/> Approved <input type="checkbox"/> Denied Date: _____	<b>Historic Preservation</b> <input type="checkbox"/> Not in District or Landmark <input type="checkbox"/> Does Not Require Review <input type="checkbox"/> Requires Review <input type="checkbox"/> Approved <input type="checkbox"/> Approved w/Conditions <input type="checkbox"/> Denied Date: _____	

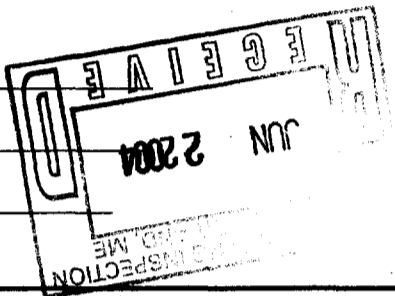
**CERTIFICATION**

I hereby certify that I am the owner of record of the named property, or that the proposed work is authorized by the owner of record and that I have been authorized by the owner to make this application as his authorized agent and I agree to conform to all applicable laws of this jurisdiction. In addition, if a permit for work described in the application is issued, I certify that the code official's authorized representative shall have the authority to enter all areas covered by such permit at any reasonable hour to enforce the provision of the code(s) applicable to such permit.

SIGNATURE OF APPLICANT	ADDRESS	DATE	PHONE
RESPONSIBLE PERSON IN CHARGE OF WORK, TITLE		DATE	PHONE

# All Purpose Building Permit Application

If you or the property owner owes real estate or personal property taxes or user charges on any property within the City, payment arrangements must be made before permits of any kind are accepted.

Location/Address of Construction: <u>13 Thirteen 8th Maine Ave (Peaks Island)</u>		
Total Square footage of Proposed Structure		Square Footage of Lot
Tax Assessor's Chart, Block & Lot Chart# <u>85</u> Block# <u>N</u> Lot# <u>13</u>	Owner: <u>8th Maine Memorial Assoc.</u>	Telephone: <u>766-5086</u>
Lessee/Buyer's Name (if Applicable)	Applicant name, address & telephone: <u>Norris Inc.</u> <u>P.O. Box 2551</u> <u>5 Portland, ME 04116</u> <u>207 283 3473</u>	Cost Of Work: \$ <u>10,752.00</u> Fee: \$ <u>120.00</u>
Current use: _____		
Proposed use: _____		
Project description: <u>Fire Alarm</u>		
 <u>NORRIS INC</u> <u>P.O. 2551 SPORTRAND ME 04116</u>		
<p><b>You</b> will contact you by phone when the permit is ready, You must come in and pick up the permit and review the requirements before starting any work with a Plan Reviewer. A stop work order will be issued and a \$100.00 fee if <b>any</b> work starts before the permit is picked up. PHONE:</p>		

IF THE REQUIRED INFORMATION IS NOT INCLUDED IN THE SUBMISSIONS THE PERMIT WILL BE AUTOMATICALLY DENIED AT THE DISCRETION OF THE BUILDING/PLANNING DEPARTMENT, WE MAY REQUIRE ADDITIONAL INFORMATION IN ORDER TO APPROVE THIS PERMIT.

*I hereby certify that I am the Owner of record of the named property, or that the owner of record authorizes the proposed work and that I have been authorized by the owner to make this application as his/her authorized agent. I agree to conform to all applicable laws of this jurisdiction. In addition, if a permit for work described in this application is issued I certify that the Code Official's authorized representative shall have the authority to enter all areas covered by this permit at any reasonable hour to enforce the provisions of the codes applicable to this permit.*

Signature of applicant: [Signature] | Date: 6/2/04

**This is NOT a permit, you may not commence ANY work until the permit is issued.**  
**If you are in a Historic District you may be subject to additional permitting and fees with the Planning Department on the 4th floor of City Hall**



**NORRIS, INC.**

LOSS PREVENTION

BUILDING AUTOMATION

COMMUNICATIONS

***SUBMITTAL  
PACKAGE***

**Project:** Eighth Maine Memorial  
Peaks Island  
Portland, Maine

**System:** Fire Alarm/Security (Ademco)

**Submitted  
By:** Norris Inc.  
2257 Broadway  
South Portland, Maine 04106  
Telephone: (207)883-3473

**Project  
Manager:** Peter ~~Reed~~

**Installing  
Contractor:** Norris Inc Electric  
South Portland, Maine

**Date:** May 28,2004

**Norris, Inc.**  
 2257 W. Broadway  
 South Portland, Maine 04106  
 800-370-3473

**13048**  
**Equipment List : Status: 6 Wait Orders\***  
 05/28/2004 Page: 1 Time: 12:00 PM  
 Purchase Order#: RONADAMS

**EIGHTHMAINE MEMORIAL ASSOCIATION**  
 RON ADAMS  
 13 EIGHTH MAINE AVE.  
 PEAKS ISLAND, ME 04108

**EIGHTH** 207-807-2635

DateIn 04/28/2004 DateDue 05/26/2004  
 CSRep PDR

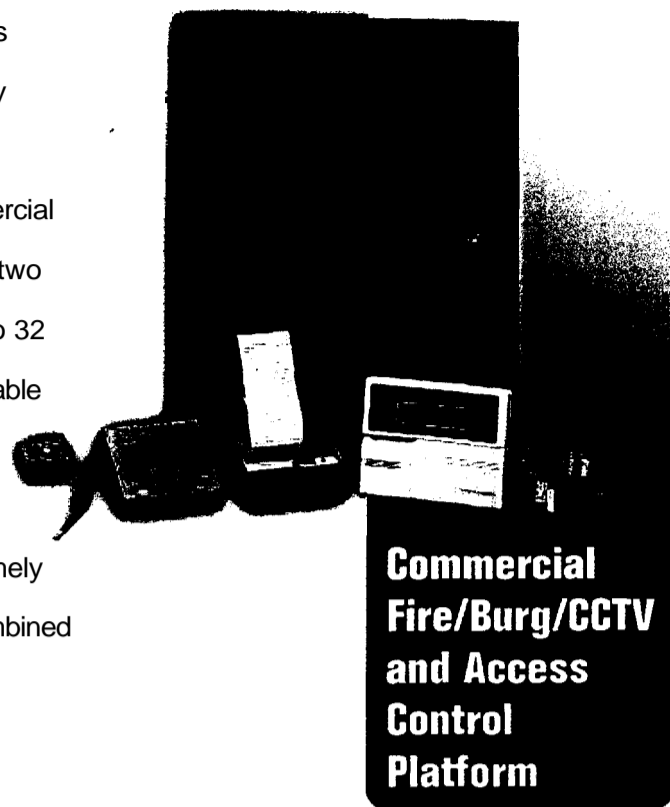
Signature: \_\_\_\_\_ Date: \_\_\_\_\_  
**Eighth Maine Memorial, Peaks  
 Island**

Product: B  
 List: PDR Sales PDR

Qty	Description	Shipped Qty	Location
	Fire/Security Alarm System:		
1	ADI-VISTA-32FB, Ademco Vista 32FB alarm control panel, 8 zone		
1	SPECIAL-SPECIAL, Zone expander 4209U		
1	Notifier-PS-1270, Battery, 12 volt, 7 AH		
2	ADI-MO-RJ31X, DACT RJ31X UL Telco Jack		
2	ADI-MO-362, Dact Cord (2 ft) - (91628)P TO Y RJ		
1	ADI-6139, Alpha/LCD Keypad		
6	Notifier-2400, Smoke Detector 2-Wire (Photoelectric)		
2	Notifier-5602, Heat detector 200 degree fixed and rate-of-rise		
4	Notifier-5601, Heat detector 135 degree fixed and rate-of-rise		
3	WHEELOCK-NS-121575W-FR, Horn/strobe 12vdc 15/75CD red wall mount		
3	WHEELOCK-RSS-121575W-FR, Light Only 12 VDC, 15/75 CANDELA		
7	RMS1TKL, Pullstation, Red Die Cast (Notifier key)		
17	SPECIAL-SPECIAL, Firex 120VAC/9VDC smoke detector		
4	ADI-SR-6155CT, Motion Detector, cold temp		
2	ADI-MA-GD1, Propane gas detector, GD2A		
1			

# VISTA- 32FB

Designed to integrate seamlessly with CCTV, access control and ADEMCO's full range of fire and burglary components, the VISTA-32FB provides the ultimate protection of life and property. The UL listed Commercial Fire and Burglary Control Platform can control up to two separate partitions independently, and supports up to 32 zones/points using hardwired, wireless and addressable **VIZET** technologies. A diverse line of ADEMCO initiating devices, notification circuits, digital dialers, keypads, RF receivers and relays support this extremely powerful control platform. Advanced technology, combined with simple end-user operation, make the versatile VISTA-32FB the smartest choice for the most demanding applications.



## FEATURES:

- supports addressable **VIZET** access control points using VistaKey (1 to 4 doors)
- Supports up to 16 doors of access control using Vista Gateway Module (VGM)\*
- Supports CCTV applications with the new VistaView-100 CCTV switcher Module
- Identifies the point or zone of a fire using the new FSA-8/FSA-24 Fire System Annunciator
- Supports eight hardwired zones, 24 **VIZET** addressable points/zones, or 32 wireless points/zones
- Can control two separate areas (partitions) independently
- Stores up to 512 events and can accommodate 75 user codes
- New E2 Software Simplifies Programming
- Easily programmed and maintained with newly upgraded Compass Downloader Software
- Automatic smoke detector sensitivity maintenance testing
- Commercial UL Wireless Fire and Burg

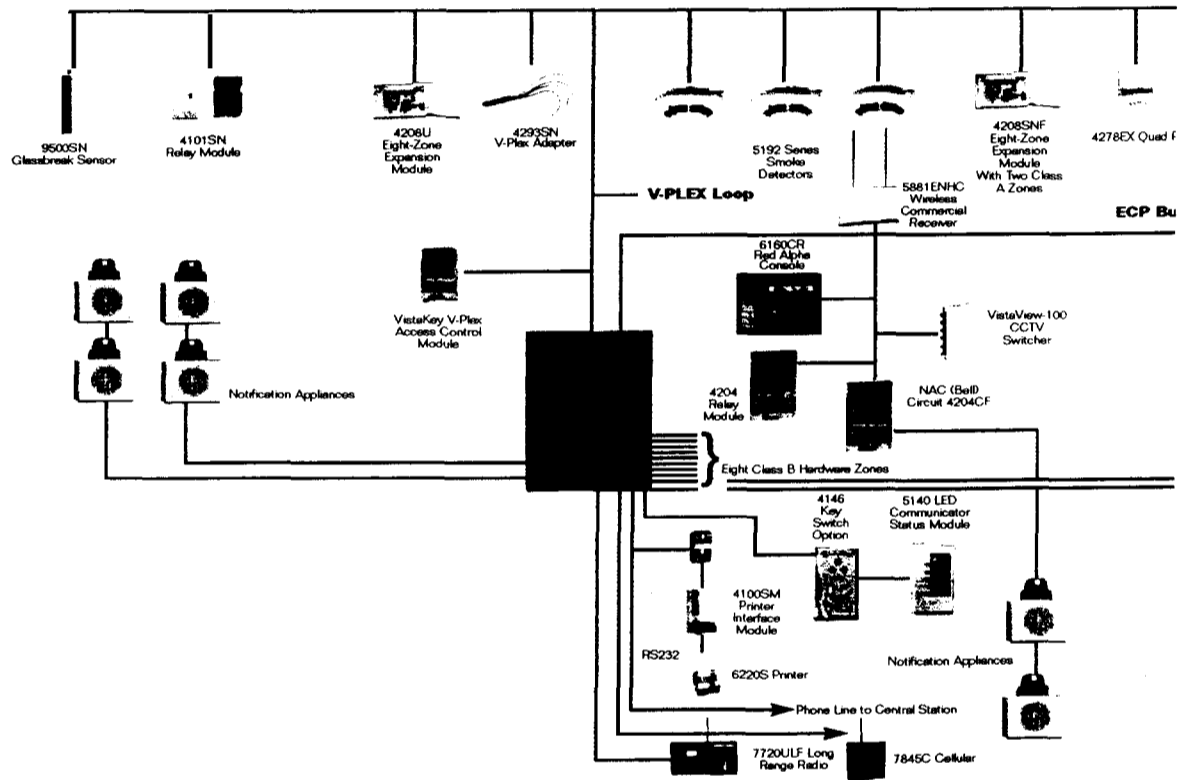
\*Connects to Northern Computer's PassPoint Access Control Systems. Maximum 32 doors.

**ADEMCO  
GROUP**

# VISTA-32FB

## Additional Features

- Notification Appliance Circuits (two):
  - Programmable
  - Temporal code compliant
  - Individually silenceable
- Programmable on-board auxiliary relay
- SIA false alarm reduction features:
  - Exit error logic
  - Exit delay reset
  - Cross zoning
  - Call waiting d e b t
  - Recent close report
- Supports commercial hardwired, addressable **VIZET** polling loop and wireless zones
- Hardwired zones
  - Provides nine style B hardwired zones
  - EOLR supervised for Fire and UL burglary installations
  - Supports N.O or N.C. sensors
  - Individually assignable to one or all eight partitions
  - Up to 16 two-wire smoke detectors each on zone one and two (32 total)
  - Up to 50 two-wire glassbreak detectors on zone eight
- Patented addressable **VIZET** polling loop technology
  - Supports up to 24 two-wire **VIZET** zones/points
  - Global polling technology for faster processing
  - Increased current draw capacity (128mA)
  - Supervised by panel
  - Individually assignable to partitions, notification circuit (bell) output or aux relay
  - 4,000 ft capability without the use of shielded cable
  - Extender/Isolation bus module
- Two-wire smoke detector zone/group expansion module adds two or four zones
- Eight zone - Class A and B extender module
- Eight zone - Class B extender module
- One zone supervised contact monitor module
- UL Listed wireless expansion
  - Supports up to 32 wireless zones/points using 5881ENHC Receiver
  - Supervised by control for check-in signals
  - Tamper protection for transmitters
  - Individually assignable up to eight partitions
  - Supports UL864/NFPA approved wireless smoke detectors
- Event reporting
- Local printer of access or VISTA related event
- Scheduled uploading of events to central station
- Up to four doors using VistaKey **VIZET** Access Control Supported by a diverse line of ADEMCO initiating devices. the VISTA-32FB is well suited for a variety of smaller to medium sized applications as an integrated fire and burglary control—including restaurants, small retail stores and shops, churches and synagogues, strip malls, larger residences and small factory and warehouse environments.
- Stored events for one call retrieval
- Communication
  - Phone mapping by zone response type
  - Supports VIP Interactive Phone Voice Module
  - Panel operation during download
  - Uploading equipment list to central station
  - Communication to PassPoint via Vista Gateway Module



**Applications**

The VISTA-32FB control is well suited for a variety of applications as an integrated fire and burglary control. A diverse line of ADEMCO initiating devices supports this extremely powerful control. Some of the applications supported are: medical and professional buildings, churches or synagogues, office buildings, schools, strip malls, larger residences and factory or warehouse environments.

**Installation**

The VISTA-32FB alarm system has been designed to mount both quickly and easily. It meets all applicable requirements for UL commercial fire and burglary installations.

**Specifications**

**Electrical:**

- Primary power: 18VAC @ 72VA ADEMCO No. 1451
- Quiescent current draw: 350mA
- Backup battery:
  - 12VDC, 7AH min to 34.4AH max
  - Lead acid battery (gel type)
- Alarm power: 12VDC, 1.7A max for each notification (bell) circuit output
- Aux. standby pwr: 12VDC, 1A max
- Total power: 2.3A at 12VDC, 3.4A at 24VDC from all sources
- 24 hours with 1A standby load or 60 hours with 205mA max standby load using 34.4AH battery
- Fusing: Battery input, aux. and notification (bell) circuit outputs are protected using PTC circuit protectors. All outputs are power limited.

**Main Dialer:**

- Line seize: Double Pole
- Ringer equiv.: 0.7B
- Formats: ADEMCO Low Speed, ADEMCO 4+2 Express, ADEMCO High Speed, ADEMCO Contact ID, SESCOA and Radionics

**Cabinet dimensions:**

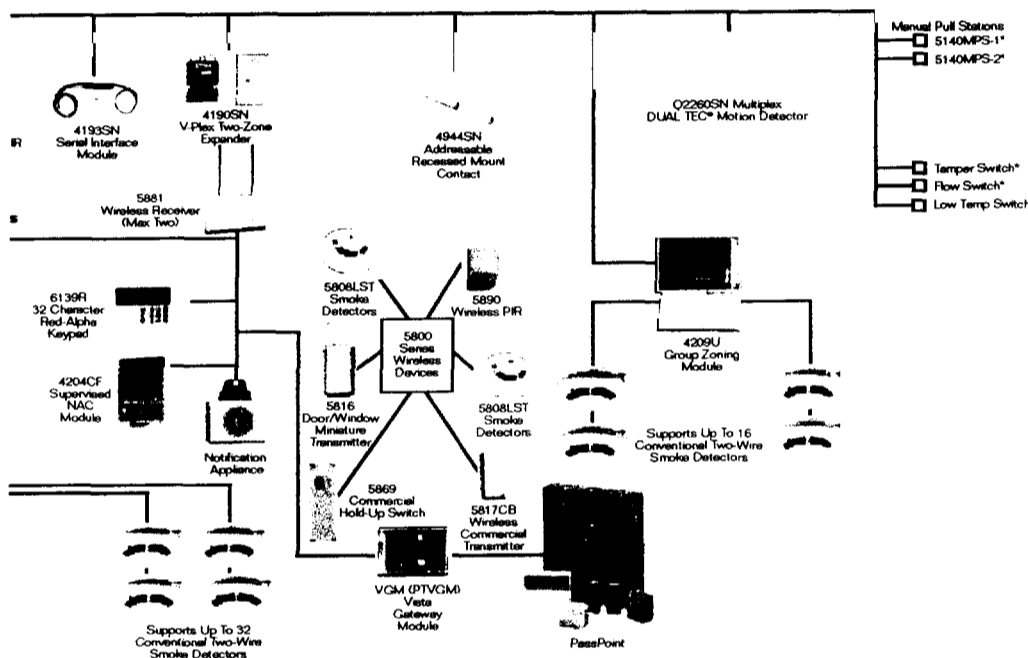
- 14.5" H X 12.5" W X 3" D

**Environmental:**

- Storage temp: -10°C to 70°C
- Operating temp: 0°C to 50°C
- Humidity: 85% RH
- EMI: Meets or exceeds the following requirements:
  - FCC Part 15, Class B Device
  - FCC Part 68
  - IEC EMC Directive

**Agency Listings**

- Burglary
- FCC Part 15, Class B; FCC Part 68
- UL Residential and Commercial
- UL864/NFPA Local Fire
- UL864/NFPA Central and Remote Station Fire
- UL609 Grad A Local Mercantile Premises/Local
- Mercantile Safe and Vault
- UL365 police station connected burglar alarm
- Grade AA Service (with LRR Model 7920SE)
- UL611/UL610 Central Station Burglar Alarm
- California State Fire Marshal
- FM



\*Use with 4193SN Mix-Zone Module



# VISTA-32FB

## SPECIFICATIONS:

### Compatible Devices

See ADEMCO Group control accessories compatibility chart for complete list

### Auxiliary devices

- 4204 - Relay Module, four form C contacts
- 4204CF - Two supervised output circuits
- 5140DLM, Supervised Dialer
- 5881 Series - RF Receiver supporting 5800 wireless detectors
- 6160CR - Red Alpha Keypad
- 6139R - Red Alpha Keypad/annunciator
- 6220S - System printer used with 4100SM serial module
- FSA-8, FSA-24 Fire Annunciators

### Two-wire smoke detectors

#### conventional:

- System Sensor smoke detectors

#### Horn/Strobes:

- System Sensor Notification Appliances

#### Manual Pull Stations:

- 5140MPS-1
- 5140MPS-2

### V-Plex (addressable) Devices:

- 4101SN Relay Zone Module
- 4190SN Remote Point Module - two zones
- 4190WH
- 4193SN Two Zone Serial Interface Module
- 4208U Loop Expansion Module - eight zones
- 4208SNF Eight Zone/2 Class A/6 Class B Expander Module
- 4209U Group Zoning Module - two/four zones
- 4293SN One Zone Serial Interface Module
- 4297 Isolation/Extender Module

### CCTV

- VistaView-100-CCTV Switcher Module

### V-Plex (addressable) Smoke Detectors:

- 5192SD
- 5192SDT

### Vista Interactive Phone Module:

- 4286 Voice Module

### Passive Infrared Detectors:

- 998MX
- 4275EX-SN
- 4278EX-SN
- QUEST2260SN

### V-Plex (addressable) Contacts:

- 4194WH, 4193SN
- 4939SN-WH
- 4944SN-WH
- 4959SN

### Glassbreak Detectors:

- 9500SN

### Long Range Radio:

- 7720ULF
- 7845C Cellular Radio

### Upgraded software:

- Upgraded Compass Downloader Windows compatible

### Wireless Devices:

- 5804 - Wireless Key
- 5804BDV - Bi-directional with voice
- 5804BD - Bidirectional Key
- 5808C - wireless Smoke Detector
- 5816 - Door/Window Transmitter
- 5819 - Shock Sensor
- 5827BD - Bidirectional Keypad
- 5849 - Glassbreak Detector
- 5890 - PIR

### Access Control:

- VistaKey V-Plex (addressable) Access control
- VistaKey-SK Starter Kit
- VistaKey-EX Expansion Kit
- VGM Wsta Gateway Module to PassPoint Access Control (Northern Computers)

### Commercial Wireless Devices:

- 5808LST - Wireless Smoke Detector
- 5809 - Wireless Heat Detector
- 5817CB - Wireless Commercial Transmitter
- 5869 - Hold up Transmitter
- 5881ENHC - Commercial Fire/Burg Receiver

**Commercial  
Fire/Burg/CCTV  
and Access  
Control  
Platform**

185 Elton Way Syosset, NY 11791  
Copyright ©2002 Pittway Corporation  
ADEMCO is an ISO9001 Registered  
Company

**ADEMCO  
GROUP**

## ORDERING:

Part No.	Description
VISTA-32FB	Commercial Fire and Partitioned Burglary Alarm Platform

L/VIST32FB/D 1/02

# VISTA-32FB

**ADEMCO GROUP**

## Additional Features

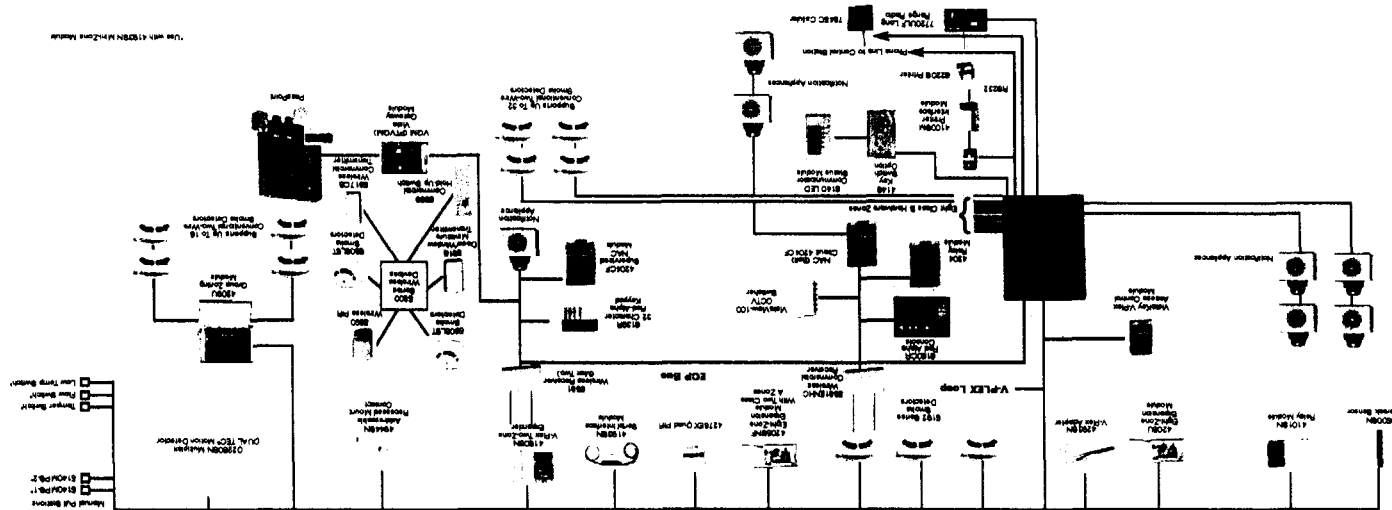
- Notification Appliance Circuits (two):
  - Programmable
  - Temporal code compliant
  - Individually alterable
  - Programmable on-board auxiliary relay
  - SIA false alarm reduction feature:
  - Exit error log
  - Exit delay reset
  - Cross zoning
  - Call waiting defeat
  - Report close report
  - Supports command hardware addressable polling loop and wireless zones
  - Hardwired zones
  - Provides one style B hardwired zones
  - EOL supervised for fire and UL burglary installations
  - Supports N.O. or N.C. sensors
  - Individually assignable to one or all eight partitions
  - Up to 16 two-wire smoke detectors each on zone one and two (32 total)
  - Up to 50 two-wire gasbreak detectors on zone eight (parted addressable) polling loop technology
  - Supports up to 24 two-wire zones/points
  - Global polling technology for faster processing
  - Increased current draw capacity (1.28mA)
  - Supervised by panel
  - Individually assignable to partitions, notification circuit (bell) output or aux relay
  - 4,000 ft capability without the use of shielded cable
  - Extender/Isolation bus module
- Two-wire smoke detector zone/group expansion module
- Adds two or four zones
- Eight zone - Class A and B extender module
- Eight zone - Class B extender module
- One zone supervised contact monitor module
- UL Listed wireless expansion
- Supports up to 32 wireless zones/points using 5881 ENHC Receiver
- Supervised by control for check-in signals
- Tamper protection for transmitters
- Individually assignable up to eight partitions
- Supports UL84/NFPA approved wireless smoke detectors
- Event reporting
- Local printer of access or VISTA related event
- Scheduled updating of events to central station
- Up to four doors using VisiKey Access Control
- Supported by a diverse line of ADEMCO Initiating devices. The VISTA-32FB is well suited for a variety of smaller to medium sized applications as an integrated fire and burglary control—including restaurants, small retail stores and shops, churches and synagogues, strip malls, larger residences and small factory and warehouse environments.
- Stored events for one call retrieval
- Communication
- Phone mapping by zone response type
- Supports VIP Interactive Phone Voice Module
- Panel operation during download
- Uploading equipment set to central station
- Communication to PassPoint via Vista Gateway Module

## Applications

- The VISTA-32FB control is well suited for a variety of applications as an integrated fire and burglary control. A diverse line of ADEMCO Initiating devices supports the extremely powerful control. Some of the applications supported are: medical and professional buildings, churches or synagogues, office buildings, schools, strip malls, larger residences and factory or warehouse environments.

## Main Dimensions

- Line size: Double Pole
- Finger equi.: 0.7B
- Format: ADEMCO Low Speed, ADEMCO 4+2 Express, ADEMCO High Speed, ADEMCO Contact ID, Seosca and Radonics
- Cabinet dimensions: 14.5"H X 12.5"W X 3"D
- Environmental:
  - Storage temp: -10°C to 70°C
  - Operating temp: 0°C to 50°C
  - Humidity: 85% RH
- EMI: Meets or exceeds the following requirements:
  - FCC Part 15, Class B Device
  - FCC Part 68
  - IEC EMC Directive
- Agency Listings
  - Burglary
  - FCC Part 15, Class B, FCC Part 68
  - UL Residential and Commercial
  - UL84/NFPA Local Fire
  - UL84/NFPA Central and Remote Station Fire
  - UL809 Grad A Local Mercantile Premises/Local
  - Mercantile Sale and Vault
  - UL865 police station connected burglar alarm
  - Grade AA Service with LRM Model 7920SB
  - UL611/UL810 Central Station Burglar Alarm
  - FM
  - California State Fire Marshal
- Outputs are power limited.
- Alarm power: 12VDC, 1.7A max for each notification bell
- Lead add battery (gel type)
- Backup battery: 12VDC, 7AH min to 34.4AH max
- Alarm power: 2.3A at 12VDC, 3.4A at 24VDC
- Total power: 2.3A at 12VDC, 3.4A at 24VDC
- Aux standby power: 12VDC, 1A max
- From all sources
- 24 hours with 1A standby load or 60 hours with 205mA max standby load using 34.4AH battery
- Fusing: Battery input, aux. and notification bell circuit outputs are protected using PTC circuit protectors. All



**Honeywell**

→

HOME | PRODUCTS | LIBRARY | SUPPORT | CONTACTUS

ADEMCO Products

→ Honeywell Security and C

ADEMCO &gt; Expansion Devices and Accessories &gt; 4209U

— Honeywell Security Pro

**4209U**

Brochure

**V-Plex Group Zoning Remote Point Module**

The **4209U** Group Zoning Module streamlines large or expansion system installation. In retrofit applications, installers can utilize hardwired smoke detectors (UL Compatibility Listed) and will expand system-wide smoke detector capability and capacity. **4209U** also offers flexible zone configurations to meet the varied demands of commercial applications.

- Combines two-wire smoke detectors from an area of protected premises into group zones
- Can be attached remotely or at the panel
- All loops are EOLR supervised (2K, supplied)
- Provides power and supervision for two-wire industry smoke detectors (review UL compatibility listing)
- Each loop can support up to 16 smoke detectors in the grouped mode, or 21 smoke detectors in the grouped mode
- Supports four-wire smoke detectors
- Uses two or four V-Plex addresses
- Supports either dip switch or serial number application
- UL864 Listed NFPA 72 compliant
- Separate DC input, no current drain from primary V-I
- Can greatly expand smoke detection coverage cost

©2004 Honeywell International Inc | [Terms & Conditions](#) | [Privacy Statement](#)



July 7, 2000

DN-1109 • E-200

## PS Series Batteries

Section Power Supplies

### GENERAL

Power-Sonic PS Series batteries provide secondary power for the whole series of NOTIFIER fire alarm control panels.

### FEATURES

- Provide secondary power for control panels.
- Gelled **electrolyte**.
- **Sealed** and maintenance-free.
- Overcharge protected.
- Extended **shelf life**.
- **Easy handling** with **leakproof construction**.
- **Ruggedly constructed, high-impact** case (ABS, polystyrene, or **polypropylene** depending on model).
- Long service life.
- **Compact** design.

### CAPACITY

Battery capacity, expressed in ampere-hours (AH), is the product of a discharge current and the length of time that the current is discharged. Batteries are rated according to their performance during 20 hours of discharge at a constant current.

The rated capacity of a battery is **determined** by subjecting it to a constant discharge current for 20 hours at 68°F (20°C). After 20 hours the voltage across the **terminals** is measured. The discharge current which causes a reading of 1.72 **volts** per cell (5.16 V on a 6 V battery and 10.32 V on a 12 V battery) is called the rated current. This current multiplied by 20 is the rated capacity of the battery.

### APPLICATIONS

Use the PS Series batteries to provide backup power for control panels. Select batteries based on current requirements for your system and the capacity of its charger. These batteries can be used over a temperature range of **-76°F to +140°F** (-60°C to +60°C).

### CONSTRUCTION

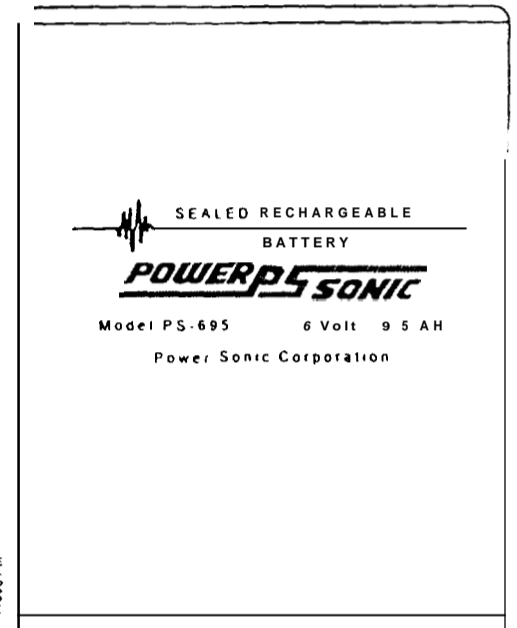
The sealed construction of the Power-Sonic battery allows trouble-free, safe operation in any position. There is no need to add electrolyte, as gases generated during overcharge are recombined in a unique "Oxygen Cycle." The battery is sealed, leakproof, and maintenance-free. The case is of high-impact materials with high resistance to chemicals and flammability.

### INSTALLATION

All panels have space reserved for batteries. See the appropriate panel installation manual for battery size restrictions. Typical inter-connection diagrams are shown in the literature accompanying each control panel.



LISTED  
MH14328 (S)



The PS-695 Battery

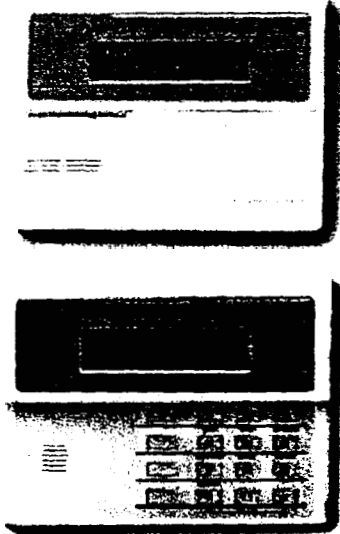
This document is not intended to be used for installation purposes. We try to keep our product information **up-to-date** and **accurate**. We cannot cover all specific **applications** or anticipate all requirements. All specifications are subject to change without notice. For more information, contact NOTIFIER. Phone: (203) 484-7161 FAX (203) 484-7118



One Fire-Lite Place, Nodhford, Connecticut 06472

**ISO 9001**  
**CERTIFIED**  
ENGINEERING & MANUFACTURING

**6139**



**New designer styled keypad with a 32 Character custom English display and removable door.**

**Ordering Information**

Part No.	Description
6139	Keypad

The **6139** is an attractive, easy to use keypad that takes the guess work out of operating your security system. This console is designed in white to blend in with most surroundings. You can use it with the door closed to hide the keys, or remove the door completely to reveal them.

**Everything in plain English**

A sophisticated and versatile keypad, the **6139** has a large, two line, 32 character, backlit customized English language display that indicates warnings and zone messages - there are no confusing blinking lights.

**An easy-to-use information center**

This **smartly-styled** console is the system's information center, providing the status of your security system at-a-glance, with all information clearly displayed in a bright, extra large liquid crystal display (LCD) window. Arranged in a telephone touchpad configuration, the keypad is easy to understand and operate. Keys are backlit to make nighttime operation possible

**Customized to meet your needs and preferences**

Your system is programmed to your specific needs. Each protection zone is custom-programmed into the control by your alarm installer and is identified by name. You are instantly aware of the status of your security system. Depending on your system, different emergency situations can signal a 24-hour central station in case of a fire, police, or personal problem.

**Built-in self-help**

A self-help feature (on select controls) reviews the basic system functions and operation, displaying them in the console window; especially helpful to new users. It is activated by simply pressing any desired function key for five seconds.

**Keypad features:**

- 4 New attractively designed white keypad with removable door
- 4 New easy-touch plastic white keys that are backlit for easy visibility
- ◆ Large type that can display 2 lines of English text
- ◆ Separate keys for emergencies
- ◆ Built-in sounder - makes audible "beeps" for entry/exit delays, system status and other alarm conditions
- ◆ All protection zones and system events are displayed in simple English words
- ◆ User-friendly - all system functions are clearly marked on the touch pad. Operation is simplified by using a uniform "security code + command" entry to perform any desired function

**2400 Series**  
**2-Wire Photoelectric Smoke Detector**  
**with Optional Horn & Thermal**

Section: Conventional Initiating Devices

**GENERAL**

The System Sensor 2400 Series photoelectric detectors are specifically designed to meet the stringent performance requirements of industrial and municipal fire detection/alarm systems. The design of these detectors emphasizes ease of installation and field maintenance. The new AT/AIT models add built-in audible signaling and optional isolation of the thermal.

**FEATURES**

- Unique optical sensing chamber:
  - Superior signal-to-noise ratio.
  - Built-in signal processing.
  - 3.0% nominal sensitivity.
- Removable cover for field cleaning.
- Visible **LED** "blinks" in standby.
- Sealed against dirt, insects, and back pressure.
- Built-in 135°F (57°C) thermal (models TH, AT, AIT only).
- Three-year limited warranty.
- Field metering of detector sensitivity (using MOD400R).
- Built-in test capability.
- Low standby current.
- Twist-on mounting bracket with tamper option.
- Designed for direct surface or electrical box mounting.
- Built-in 85 dBA piezoelectric horn (models AT and AIT only).
- Insect-resistant screening (0.020"/0.508 mm openings).
- Isolated or integrated operation of thermal available.
- SEMS screws for easy wiring.

**APPLICATIONS**

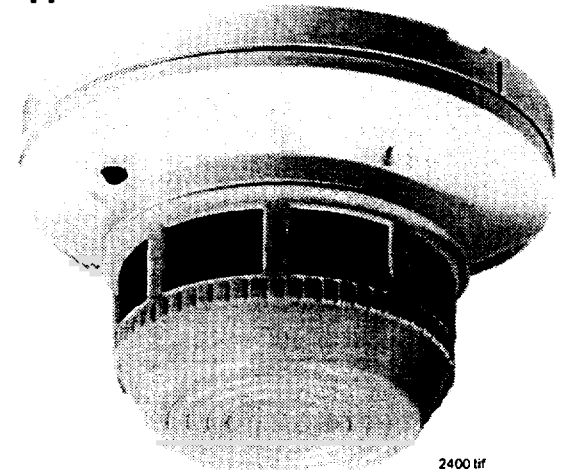
Use to contribute to life safety, fire protection, and property conservation. Photoelectric detectors are recommended in areas where slow smoldering fires are likely to ignite. In areas where small combustion particles are usually present from fork-lift trucks, cooking stoves, etc., they are less likely than ionization detectors to produce false alarms.

**CONSTRUCTION AND OPERATION**

All System Sensor 2400 Series photoelectric smoke detectors contain a unique optical sensing chamber designed to sense the presence of smoke particles produced by a wide range of combustion sources and meet performance criteria designated by UL 268. A new custom integrated circuit incorporates signal processing to reduce false alarms and sample/hold circuitry to provide easy field metering of sensitivity. Additional key features of AT/AIT models include available isolation of the thermal for separate monitoring, and a built-in horn.



California State Fire Marshal  
 7272-1209:103  
 (2400 & 2400TH)  
 7272-1209:134  
 (2400AT & 2400AIT)



The built-in piezoelectric horn produces an interrupted 85 dBA tone. The horn operates when the unit senses smoke, or when the thermal reaches its alarm point (integral thermal models only).

**INSTALLATION**

Model 2400 detectors are designed for systems use with UL listed control panels. See panel Compatibility Chart to determine maximum number of detectors per zone. Easy to install and maintain, this detector is designed for direct surface mounting (mounting bracket included), or mounting to a 4" octagon or smaller box. Easy-to-wire screw terminals allow fast and simple field wiring of in, out and remote annunciator connections.

Consult control panel specifications for the maximum allowable loop resistance for the particular control panel to be used.

To prevent wiring mistakes, observe polarities and make certain that each conductor is identified. A copy of Installation and Maintenance Instructions is packaged with each detector. For further information, refer to NFPA 72 and to Local Authority Having Jurisdiction.

This document is not intended to be used for installation purposes. We try to keep our product information up-to-date and accurate. We cannot cover all specific applications or anticipate all requirements. All specifications are subject to change without notice. For more information, contact NOTIFIER. Phone: (203)484-7161 FAX: (203)484-7118

 One Fire-Lite Place, Northford, Connecticut 06472



# HD-600 Heat Detectors

Section: Conventional Initiating Devices

## GENERAL

The HD-600 Heat Detector is attractive, durable, and features combination rate-of-rise and fixed-temperature detectors. Heat detectors are available in 135°F (57°C) and 200°F (94°C) temperature ratings.

Rate-of-rise elements detect heat by quickly responding to rapid temperature increase. HD-600 detectors use the same reliable pneumatic rate-of-rise element used in former models, but offer added aesthetic appeal. The pneumatic rate-of-rise element responds to a rapid rise in temperature, approximately 15°F (8°C) per minute, by expansion of air within the sealed chamber faster than it can escape through a calibrated vent. The resultant increase in pressure depresses the diaphragm, causing the electrical contact to close the circuit. HD-600 rate-of-rise units have a wide spacing allowance of 50-foot (15.24-meter) centers. See *Specifications* table (page 2) for details.

Fixed-temperature elements react to heat by responding to a specific temperature setting. The fixed-temperature element uses a fusible alloy. When activated, the external heat collector drops away to provide quick visual confirmation that the element has operated.

The units protrude only 1-3/8" (34.925 mm) from the ceiling surface with a junction box mounting. They have pleasing contours and an all-white finish that conforms to ceiling aesthetics.

## FEATURES

- Rate-of-rise and fixed-temperature.
- One- or two-circuit, normally open.
- Easy installation.
- Low-profile design.
- Visual indication.
- Operation testing.

## INSTALLATION

Each detector includes a patented reversible mounting plate. In one position, it easily attaches to a 3-1/4" (82.55 mm) octagonal box or 4" (101.60 mm) junction box.

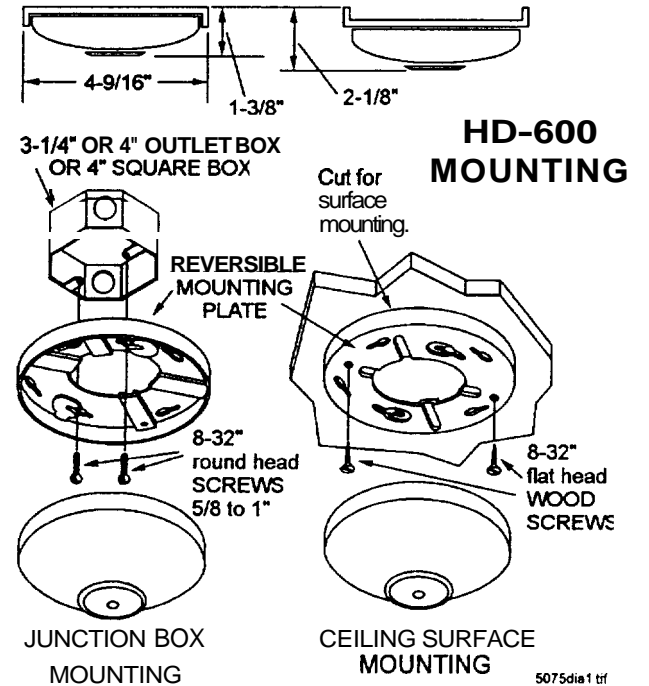
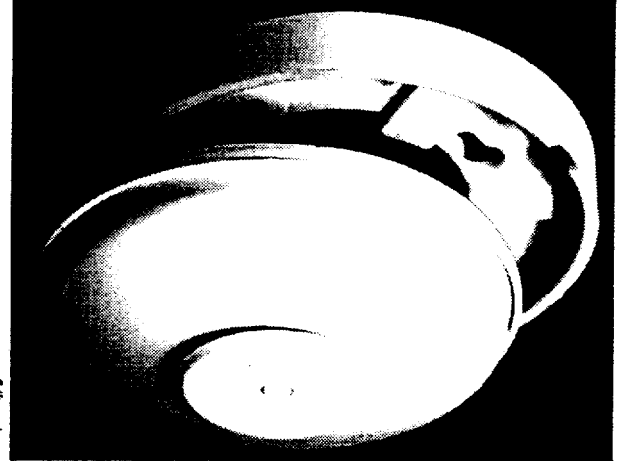
In reverse, the plate can be used for open wiring without a junction box. A 1/4" (6.35 mm) space between detector and mounting surface allows for wire connections. All mounting screws are concealed.

The detector attaches simply to the mounting plate with a push and twist motion. No special tools are required.

The mounting plate is molded of white self-extinguishing thermoplastic rated at 105°C. The plate is extremely strong, yet adapts to uneven mounting surfaces.



California State Fire Marshal  
7270-0028:170



This document is not intended to be used for installation purposes. We try to keep our product information up-to-date and accurate. We cannot cover all specific applications or anticipate all requirements. All specifications are subject to change without notice. For more information, contact NOTIFIER. Phone: (203) 484-7161 FAX: (203) 484-7118



12 Clintonville Road, Northford, Connecticut 06472



## Wheelock NS/NS4 Series Horn Strobes and NH Series Horns

Section: Audio/Visual Devices

### GENERAL

Wheelock's new devices, the **NS/NS4** Series Horn Strobes and the **NH** Series Horns, feature low current design with reduced inrush. The horn devices provide a selectable continuous horn tone or a temporal pattern (Code 3) tone when constant voltage from a Fire Alarm Control Panel (FACP) is applied. Each tone has two dB settings to choose from. All models (horn only or horn with strobe) may be synchronized when used in conjunction with **SM** or **DSY** Sync Modules. Additionally, the horn may be silenced while maintaining strobe activation of the NS/NS4 Series horn-strobe devices. All of these features are achievable with either the patented two-wire NS Series or with the four-wire NS4 Series models.

The NS/NS4 Series horn-strobe devices and the NH horn devices are designed for maximum performance, reliability, and cost-effectiveness while meeting or exceeding the latest requirements of NFPA 72 (National Fire Alarm Code), ANSI 117.1 (American National Standard for Accessible and Usable Buildings and Facilities), and UL Standard 1971 (Standard for Signaling Devices for the Hearing Impaired), and UL 464 (Audible Signal Appliances). NS/NS4 audible strobe devices, when properly specified and installed in accordance with NFPA/ANSI standards, can provide the Equivalent Facilitation allowed under ADA Accessibility Guidelines (ADAAG General Section 2.2) by meeting or exceeding the illumination which results from the ADA-specified strobe intensity of 75 candela at 50 feet (15.24 m). This is an illumination of 0.030 lumens per square foot.

When used with the Wheelock SM or DSM Series Sync Modules, the continuous horn tone produces a synchronized temporal (Code 3) tone. This ensures a distinct temporal (Code 3) pattern when two or more horns are within hearing distance. If not synchronized, the temporal sound could overlap and not be distinctive. Additionally, if strobes on the same circuit are synchronized, this provides the ability to comply with ADA recommendations concerning photosensitive epilepsy and to meet NFPA requirements when installing two or more visual devices within the field of view. All of this, plus the ability to silence the horn, is achieved by using only two wires (NSMH).

### FEATURES

- ADA/NFPA/ANSI compliant. Meets OSHA 29 Part 1910.165.
- Low current draw and reduced inrush.
- Wall-mount only.
- Two selectable tones and dB levels:  
*Continuous* tone: anechoic, 90 or 95 dB; reverberant, 82 or 88 dB @ 24 VDC.  
 Temporal Code 3 tone: anechoic, 90 or 95 dB; reverberant, 75 or 82 dB @ 24 VDC.
- Patent pending Universal Mounting Plate for single-gang, double-gang, 4" (10.16 cm) square, or 100 mm European backboxes, or Wheelock's SHBB shallow surface backbox.
- No additional trim plates required.



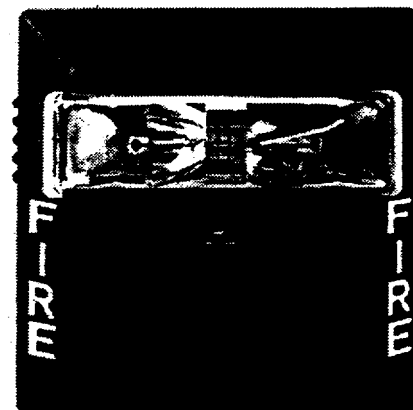
E 5946


 CS 243 (NH)  
 CS 356 (NS/NS4:  
 15 cd, 75 cd, & 710 cd)

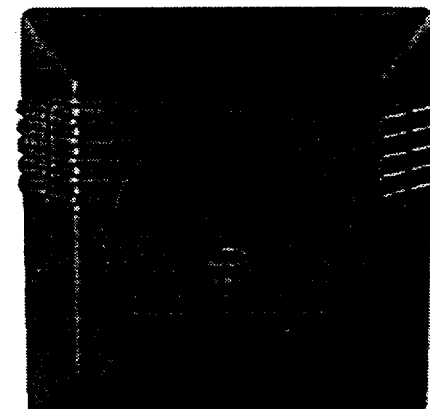

OD7A4.AY


 California  
 State Fire  
 Marshal  
 7125-0785:142


151-92-E



NS/NS4  
Horn  
Strobe



NH Horn

- Available with 15, 15/75, 30, 75, and 110 candela strobe intensities.
- 15/75 candela wall-mounted strobes are listed at 15 candela under UL Standard 1971 and meet 75 candela intensity on axis for ADA guidelines with low current draw.
- Two versions available: two-wire for both horn and strobe; *four-wire* model.
- Non-sync and sync in one model (*synchronization requires a SM or DSM Sync Module*).
- Matching horn in 12/24 volts (selectable).

This document is not intended to be used for installation purposes. We try to keep our product information up-to-date and accurate. We cannot cover all specific applications or anticipate all requirements. All specifications are subject to change without notice. For more information, contact NOTIFIER. Phone: (203) 484-7161 FAX: (203) 484-7118



NOTIFIER® 12 Clintonville Road, Northford, Connecticut 06472

**ISO 9001**  
**CERTIFIED**  
 ENGINEERING & MANUFACTURING



**GENERAL**

Wheelock's patented RSS Series Strobes and RSSP Series Strobe Plates have lower current draw and zero inrush while maintaining outstanding performance, reliability, and cost effectiveness. These versatile devices will satisfy virtually all requirements for indoor wall- or ceiling-mount applications.

Strobe options for wall-mount models include 15/75 cd or Wheelock's patented **SPEC1FIRE™** multi-candela strobe with field-selectable candela settings of: 15, 30, 75, or 110 cd. Ceiling-mount models are available in 15, 30, 75, or 100 cd intensities.

All models may be synchronized when used in conjunction with the Wheelock SM or **DSM** Sync Modules. Synchronized strobes can eliminate possible restrictions on the number of strobes in the field of view. Wheelock's synchronized strobes offer an easy way to comply with ADA recommendations concerning photosensitive epilepsy as well as meeting the requirements of NFPA 72 (1999).

Wheelock's **RSS Series Strobes** employ a patented integral strobe mounting plate that can be mounted to single-gang, double-gang, 4" (10.16 cm) square, 100 mm European, or the SHBB surface backbox. If the flush backbox has side or top space between it and the finished wall, the NATP (Notification Appliance Trim Plate) may be used. It provides an additional 0.65" (16.51 mm) of trim for the appliance. An attractive cover plate is provided for a clean, finished appearance on all models.

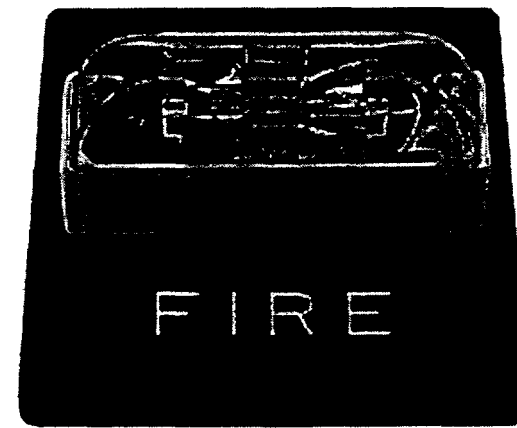
The **RSSP Series Multi-Candela Strobe Plates** are a cost-effective way to retrofit required strobe appliances to bells, horns, chimes, multitones, or speakers. They mount easily to standard 4" (10.16 cm) backboxes, or for surface mounting, use with Wheelock's **SBL2** surface backbox.

For **weatherproof RSS Series model**, see *Wheelock data sheet S9004*.

**FEATURES**

- ADA/NFPA/ANSI compliant. Meets OSHA 29, Part 1910.165.
- **Wall-mount or ceiling-mount models available.**
- Wall-mount models are available in 15/75 cd or with field-selectable candela settings of 15, 30, 75, or 110 cd (multi-candela models).
- Ceiling-mount models are available in 15, 30, 75, or 100 cd.
- Low current draw with temperature compensation to reduce power consumption and wiring costs.

**SPEC1FIRE™** is a trademark of *Wheelock Inc.* **LEXAN®** is a registered trademark of *GE Plastics*, a subsidiary of *General Electric Company*.



**RSS-24MCW-FR** 5765phmc.jpg

- Low current draw **with** temperature compensation to reduce power consumption and wiring **costs**.
- Strobes produce one flash per second over the regulated voltage range.
- 12 and 24 VDC models with wide new UL "regulated voltage" ranges using filtered (DC) or unfiltered V<sub>RMS</sub> input voltage.
- Synchronize with Wheelock SM or DSM sync modules.
- Zero inrush above peak.
- Compatible with all Wheelock two-wire products.
- Fast installation with In/Out screw terminals using #12 AWG (3.25 mm<sup>2</sup>) to #18 AWG (0.75 mm<sup>2</sup>) wires.
- For **RSS Series** mounting: patented integral strobe mounting plate for single-gang, double-gang, 4" (10.16 cm) square, or 100 mm European backboxes. Wheelock's SHBB shallow backbox is used for surface mounting.
- For **RSSP Series** mounting: use standard 4" (10.16 cm) backboxes or for surface mounting. Wheelock's SBL2 surface backbox.

**NOTIFIER®** is an operation of **Honeywell**

This document is not intended to be used for installation purposes. We try to keep our product information up-to-date and accurate. We cannot cover all specific applications or anticipate all requirements. All specifications are subject to change without notice. For more information, contact NOTIFIER. Phone: (203) 484-7161 FAX: (203) 484-7118



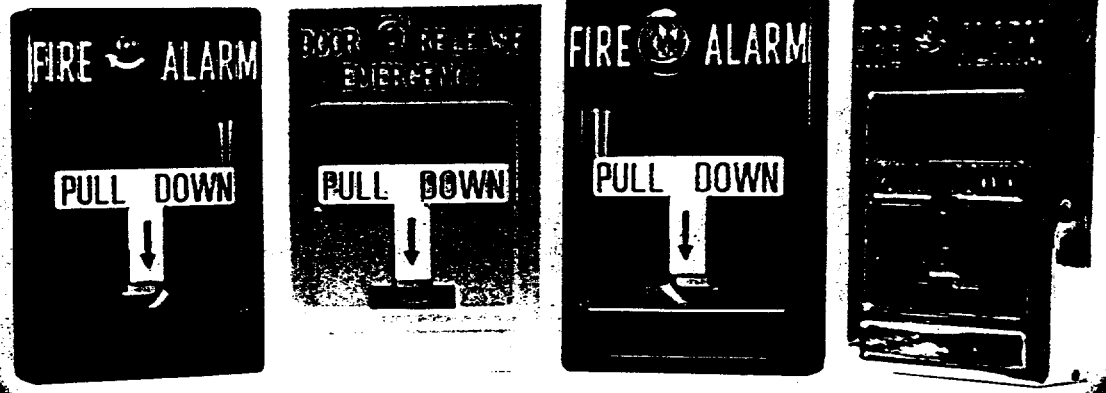
12 Clintonville Road, Northford, Connecticut 06472



ENGINEERING & MANUFACTURING



# MANUAL STATIONS



The RMS manual pull station is a high quality non toxic die-cast manual pull station manufactured entirely in the U.S.A. Low profile design and smooth edges offer a clean, professional design. All components are pre-painted or have plated surfaces to inhibit corrosion. Electrically the RMS manual pull station is interchangeable with 10 amp snap action switches in any possible terminal arrangements (including gold contacts). The RMS pull station is available with or without a break glass rod with replacement requiring no special tools.

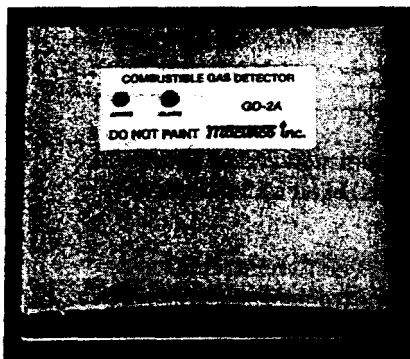
- Other features include:
- Pull and push
  - Break glass cover
  - Key operated only
  - Weather resistant powder version
  - Available in many colors to match your decor
  - Customizing and special ordering available

UL No. 1154



# GAS DETECTOR

FOR USE WITH ALARM CONTROL PANELS or for use alone



## GD-2A

The GD-2A uses a full wave bridge rectifier at its power input, so that it is independent of the polarity of the input power. It can operate on DC or AC voltages between 12 and 24 volts. A switching regulator is used to efficiently match the wide input voltage range to the fixed, internal power system. As a result the power consumption is fairly constant at about 0.75 watts in normal operation, and 1.0 watts in alarm.

The GD-2A has an internal 2 minute time delay, that prevents alarms during the warm-up of the **gas** sensor. During the warm-up period the green LED light blinks on and off. **Once** the delay is over, the continuous green light (ARMED) indicates normal operation. The GD-2A has a supervisory circuit of critical functions. A trouble condition, due to failure of a non-reliable component, results in **both** lights switching on and off and the normally closed trouble relay opening. A power failure also causes the trouble relay to open.

The red LED (ALARM) turns on at the same time the SPDT alarm relay activates, to indicate the alarm condition. The relays are reed type devices that are glass encapsulated, thus are ignition protected.

In the configuration, as shipped from the factory, the GD-2A is self-restoring. When the air clears of gas, the red light turns off and the relay switches to its normal state. A jumper wire on the circuit board can be clipped to allow the unit to latch in upon alarm. Once latched in, power will need to be *interrupted* to un-latch the alarm condition.

The GD-2A does NOT detect carbon monoxide.

### MANUFACTURED BY:

**MACURCO**  
3946 S. Mariposa Street  
Englewood, CO 80110  
(303) 781-4062 Fax: (303) 761-6640  
Website: [www.macurco.com](http://www.macurco.com)

The GD-2A is an all electronic detector of heating type gases (natural and bottle), designed for use alone or for connection to alarm control panels. It can operate on 12 to 24 VDC power from standby or interruptible panel power, or be powered separately.

The attractive **two** part plastic case allows the GD-2A to be installed over a four inch square or double gang electrical **box**, providing a near flush mount. A terminal strip is provided for connections to the control panel or other devices.

- DETECTS HEATING GASES: PROPANE (LP), NATURAL (METHANE).
- SPDT ALARM AND N.C. TROUBLE RELAYS
- CAN BE SELF-RESTORING OR LATCHING
- ELECTRONIC SENSORS: NO MAINTENANCE OR RECALIBRATION
- TEMPERATURE COMPENSATED
- SIMPLE INSTALLATION AND OPERATION
- FAIL SAFE SYSTEM: SUPERVISED SENSOR
- IGNITION PROTECTED DESIGN

### SPECIFICATIONS

SIZE: 4 ½ X 5 X 1 ½ inches

SHIPPING WEIGHT: One pound

VOLTAGE: 12 to 24 VAC or VDC

CURRENT (non-alarm): 60 ma @ 12 VDC, 30 ma @ 24 VDC

CURRENT (in alarm): 83 ma @ 12 VDC, 42 ma @ 24 VDC

COLOR: White

SENSOR MAINTENANCE: Not required

ALARM RELAY RATING: 0.25 Amps, 100V, 3VA

TROUBLE RELAY: 0.50 Amps, 200V, 10 VA

OPERATING TEMPERATURE RANGE: 32" to 120" F

ALARM SET POINT: Per UL 1484 (25% LEL)

### DISTRIBUTED BY



## Sharpshooter™ PIR

6150 Series

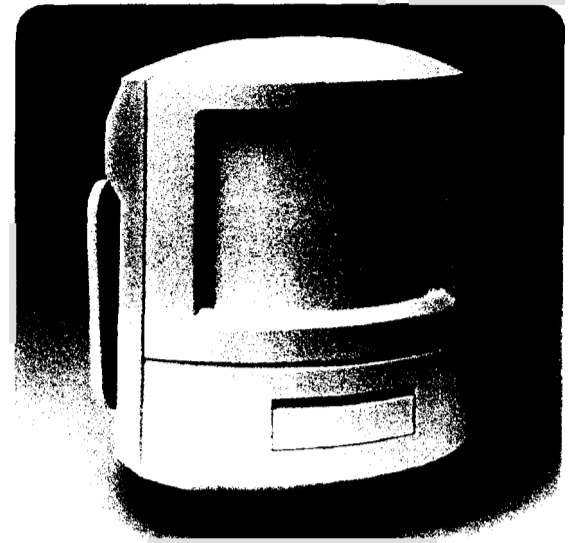
### Overview

The 6150 Sharpshooter™ passive infrared detector is an advanced PIR highly sensitive to moving infrared sources while offering increased immunity to RFI, vibration, static, stray light, rapid temperature changes, and other false alarm sources.

The detector uses a dual pyroelectric sensor with jumper selectable one or two-zone detection. It combines bidirectional pulse count and motion verification, the most sophisticated signal processing available. An opaque, high resolution Fresnel lens focuses the infrared energy on the pyroelectric sensor while blocking stray or reflected light. The unit ships with a standard wide angle lens. Long range, extra wide angle, pet alley, curtain and single beam pet alley lenses are available as accessories.

The standard swivel bracket allows the detector to be aimed for best coverage. The lens may be masked using the labeled die-cut kit.

The 6150 Series is an attractive unit of fire-retardant ABS plastic. A built-in cover slides over the LED and provides a surface for private labeling. It incorporates a custom Applications Specific Integrated Circuit (ASIC) on a compact SMD board for highest reliability.



### Standard Features

- Sealed optics helps prevent false alarms caused by insects getting inside detector
- Six interchangeable lenses for flexible coverage patterns
- Swivel bracket for accurate aiming
- Cold temperature version able to operate to -40° f
- Motion verification through advanced signal processing reduces false alarms

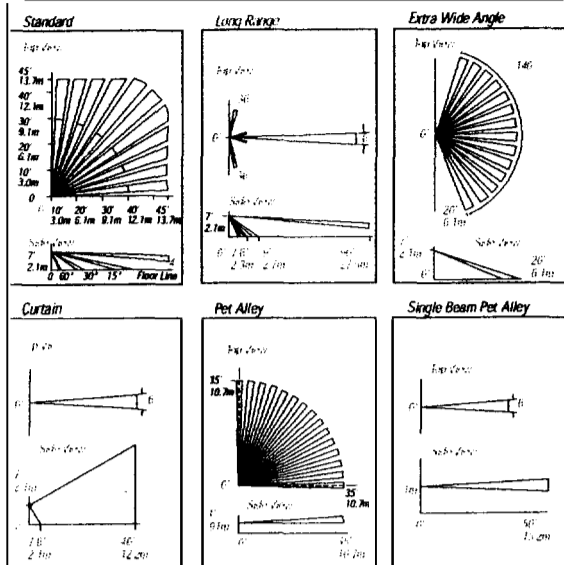
### Model Numbers

6155, 6157, 6155CT, 6157CT, 6155AL

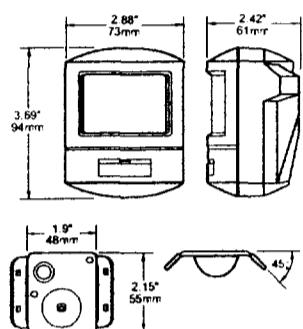
# Sharpshooter™ PIR

6150 Series

## Lens Coverage



## Dimensions



## Ordering Information

Model	Loop Type	Electrical Configuration	Comments	Listing
6155	Closed	N.C.		c-UL-us
6157	Closed, Open	SPDT (N.C. and N.O.)		c-UL-us
6155CT	Closed	N.C.	Cold Temperature	C-UL-US
6157CT	Closed, Open	SPDT (N.C. and N.O.)	Cold Temperature	C-UL-US
6155AL	Closed	N.C.	Alarm Memory	c-UL-us

## Specifications

**Electrical**  
**Voltage**  
**Current**  
**Maximum loop rating**  
**Alarm output**

7 to 16V DC  
 8mA typical, 10mA max.  
 16V DC, 50mA  
 fail safe contacts w/ 10 Ohms in series,  
 6155 - Form A, Normally Closed (N.C.)  
 6157 - Form C, Normally Closed  
 and Open (SPDT)

**Alarm duration**  
**Cover tamper contacts**  
**Environmental**  
**operating**

2 to 5 seconds  
 Normally Closed, rating: 50mA  
 0°F to 120°F (-17°C to +50°C)  
 "CT" cold temp. version -40°F to 120°F  
 (-40°C to +50°C)

**Humidity**  
**RFI immunity**  
**Static immunity**  
**Lightning immunity**

10% to 90% noncondensing  
 greater than 10V/meter from 1 to 1000MHz  
 20kV  
 2.5kV, 2 joules max. energy impulse.  
 1msec rise/50 msec decay

**Features**  
**Pulse count**

Bi-directional, 1 event (2 pulses) or  
 2 events (4 pulses) with Motion Verification

**Range**

**Standard**  
**Long Range**  
**Extra Wide Angle**  
**Curtain**  
**Pet Alley**  
**Single Beam Pet Alley**

45' (13.7m) x 90°  
 90' (27.4m) x 6"  
 20' (6.1m) x 140°  
 40' (12.2m) x 6"  
 35' (10.7m) x 90°  
 50' (15.2m) x 6"

**Standard swivel bracket**  
**Mounting**

±10 left/right, 10 up, 75 down  
 Wall or corner  
 (with or without swivel bracket)

**LED indicator**  
**"AL" alarm memory version**  
**Dimensions**

Walktest  
 Latching  
 3.69" (93.7mm) H  
 2.88" (73mm) W  
 2.42" (61.3mm) D

**Color**  
**Listing**

Off-white  
 UL639, CAN/ULC 5306



GE Interlogix

www.GE-Interlogix.com

12345 SW Leveton Drive  
 Tualatin, OR 97062  
 Phone: 503-692-4052  
 USA & Canada: 800-547-2556  
 Technical Service: 800-648-7424  
 Faxback: 800-483-2495

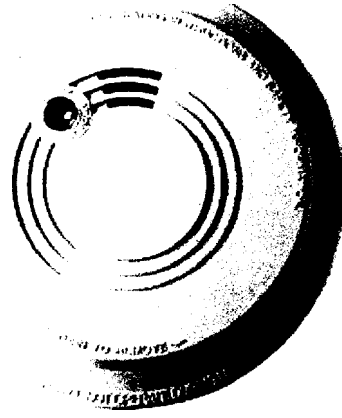
2266 Second Street North  
 North St. Paul, MN 55109  
 Phone: 651-777-2690  
 USA & Canada: 800-777-5484  
 Technical Service: 800-777-2624

©2002 GE Interlogix. Sharpshooter is a trademark of GE Interlogix. All other trademarks are properties of their owners.  
 G-3612-2000KA-1202

Printed May 28, 2004


X CLOSE

How to print without a print button To print this page, click on the File menu, then choose Print



## Firex 120 Volt Direct Wire Firex® Smoke Alarm with Line Voltage Interconnect

Direct replacement for models FX1014, FX1020, FX1106 or FXW-1A With line voltage. Styline Design. UL listed. 5-year limited warranty. US offering.

 *This item can be gift boxed*  
- Usually ships in 2-3 business days

### SPECS

- Internet ID 163307
- Brand Firex
- Contents Line voltage Interconnect
- Power Supply 120 volt
- Test/Reset Button Yes
- Type Smoke Alarms

### WARRANTY AND SAFETY

- For warranty information on this product, please call our Internet Customer Service Center at 1-800-430-3376

2004 Homer TLC, Inc. All Rights Reserved. Use of this site is subject to certain terms of use which constitute a legal agreement between you and the Home Depot, Inc.