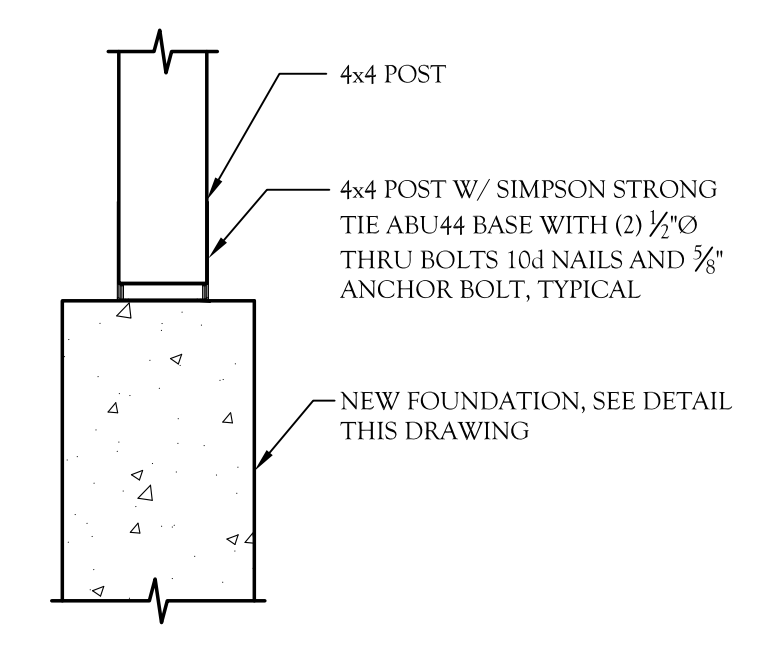
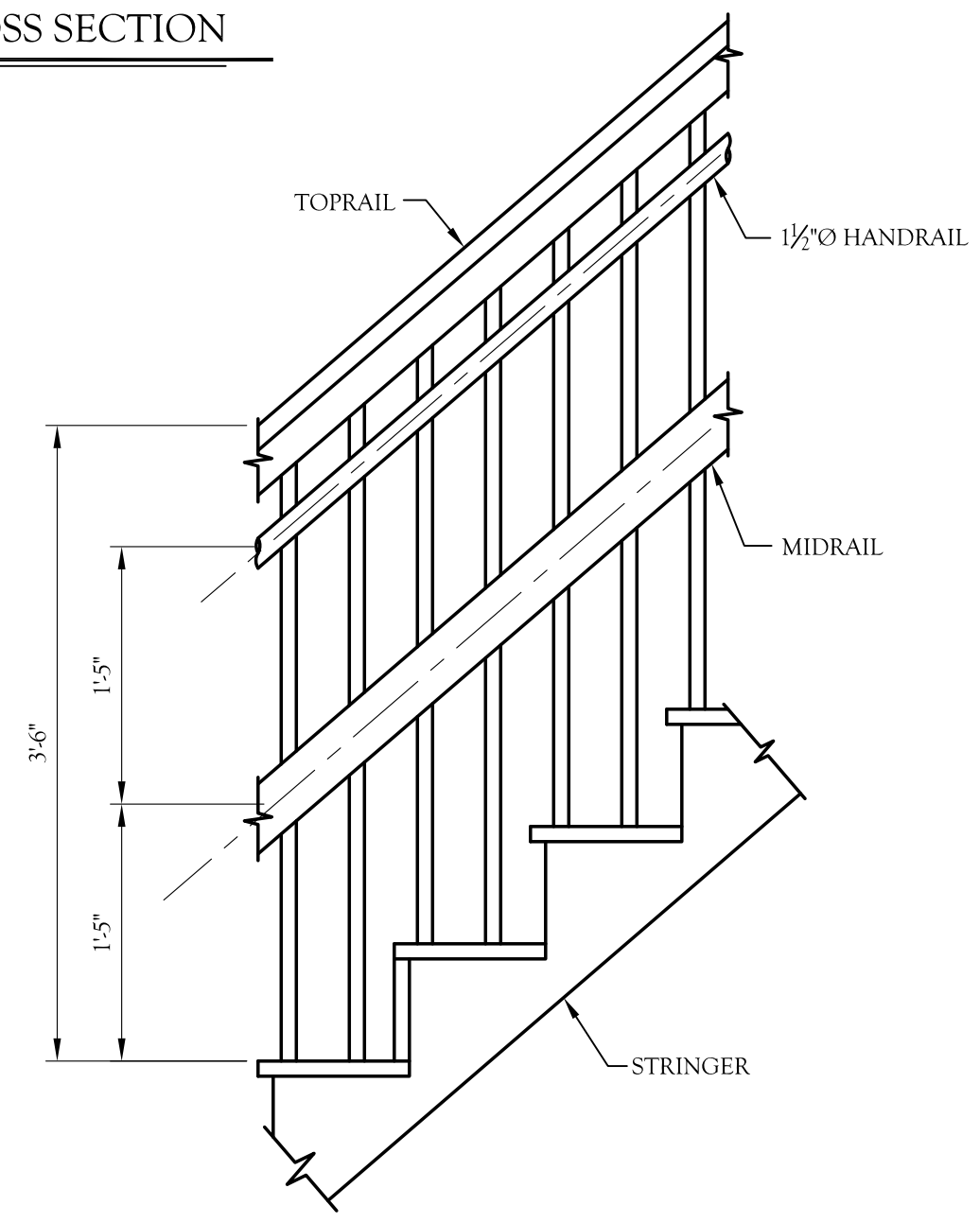
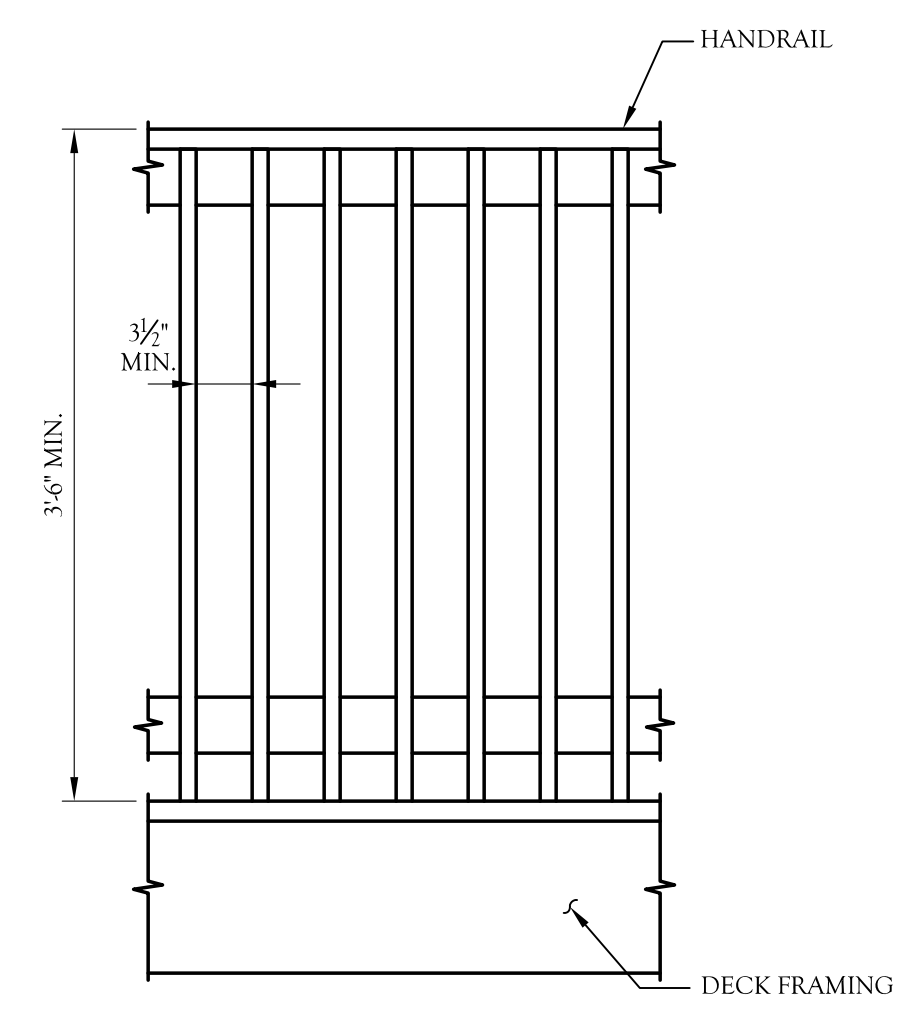
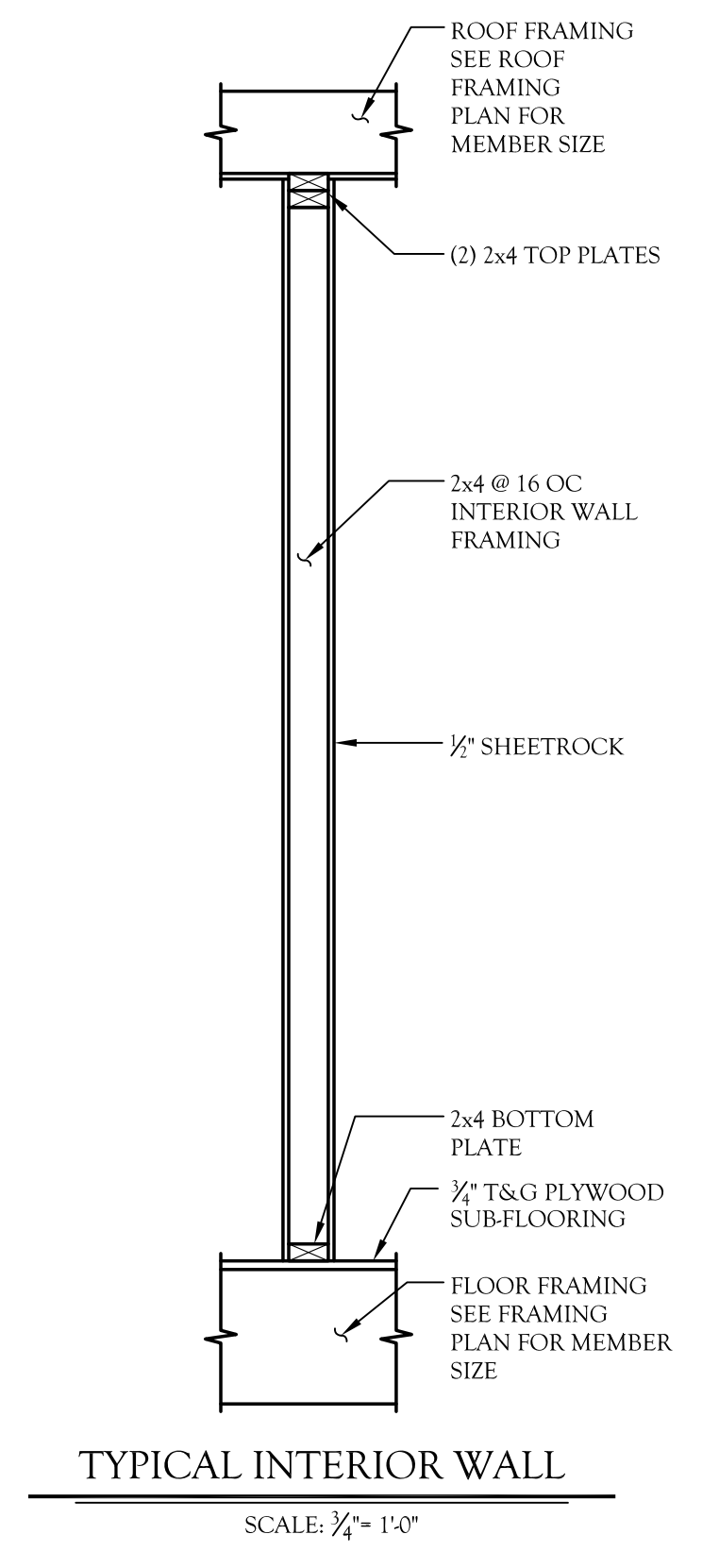
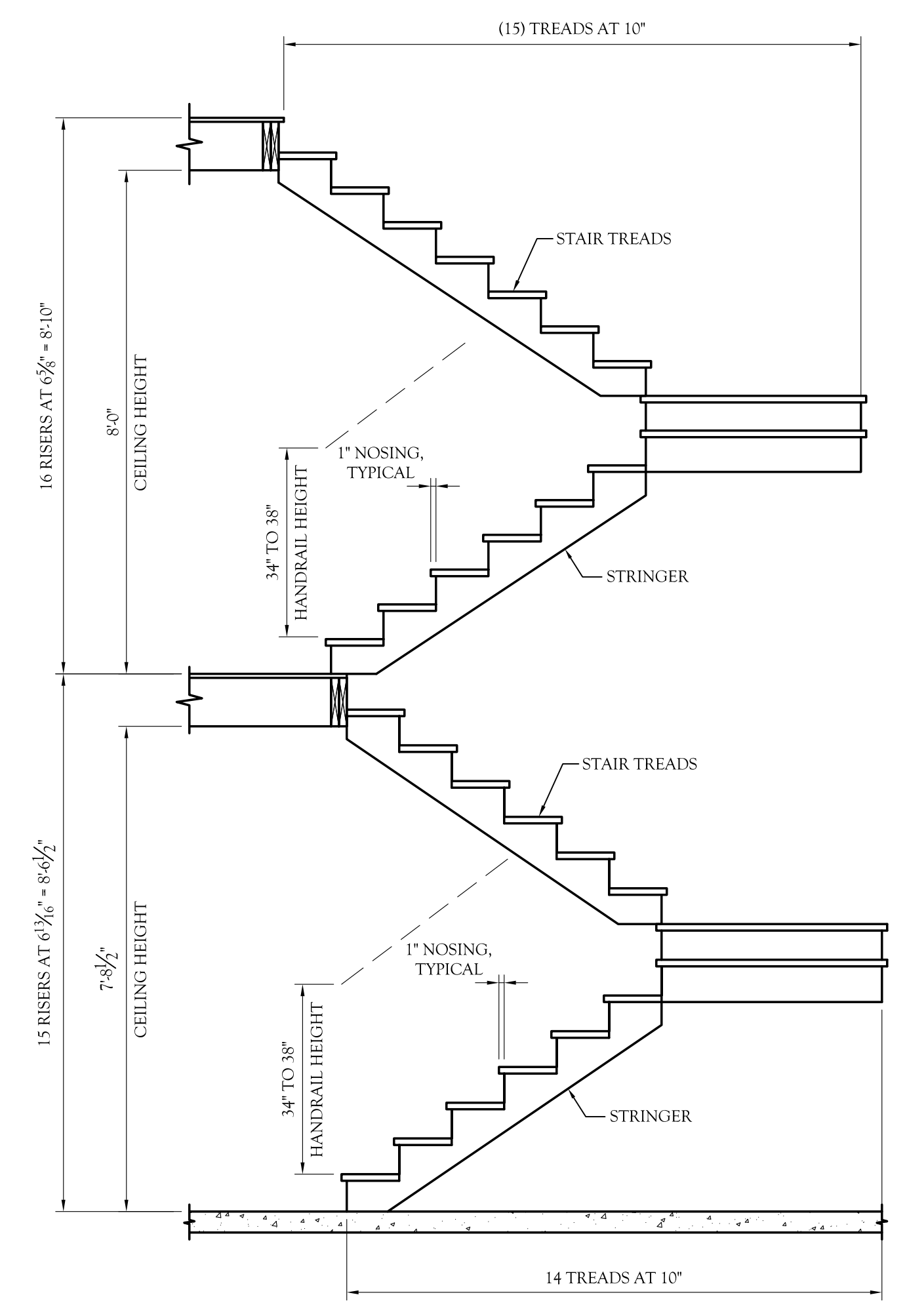


TYPICAL BUILDING CROSS SECTION
 SCALE: 1/2" = 1'-0"



GLENN SMITH DESIGNS HOME PLANS AND GENERAL CONTRACTING 186 SOUTH WATERBORO RD. LYMAN, MAINE 04002 (207) 499-2811 / CELL (207) 590-3352	
THESE DRAWINGS ARE PREPARED AS A DRAFTING SERVICE ONLY. THE DRAFTER IS NOT RESPONSIBLE FOR DIMENSIONAL DRAFTING OR ANY OTHER TYPE OF DESIGN AND DETAILING ERRORS.	
DRAWING NO.	S4
CLIENT	PETE PETERS SOUTH PORTLAND, MAINE
TITLE	PEAKS ISLAND - PORTLAND MAINE COLONIAL STYLE HOME BUILDING SECTION AND DETAILS