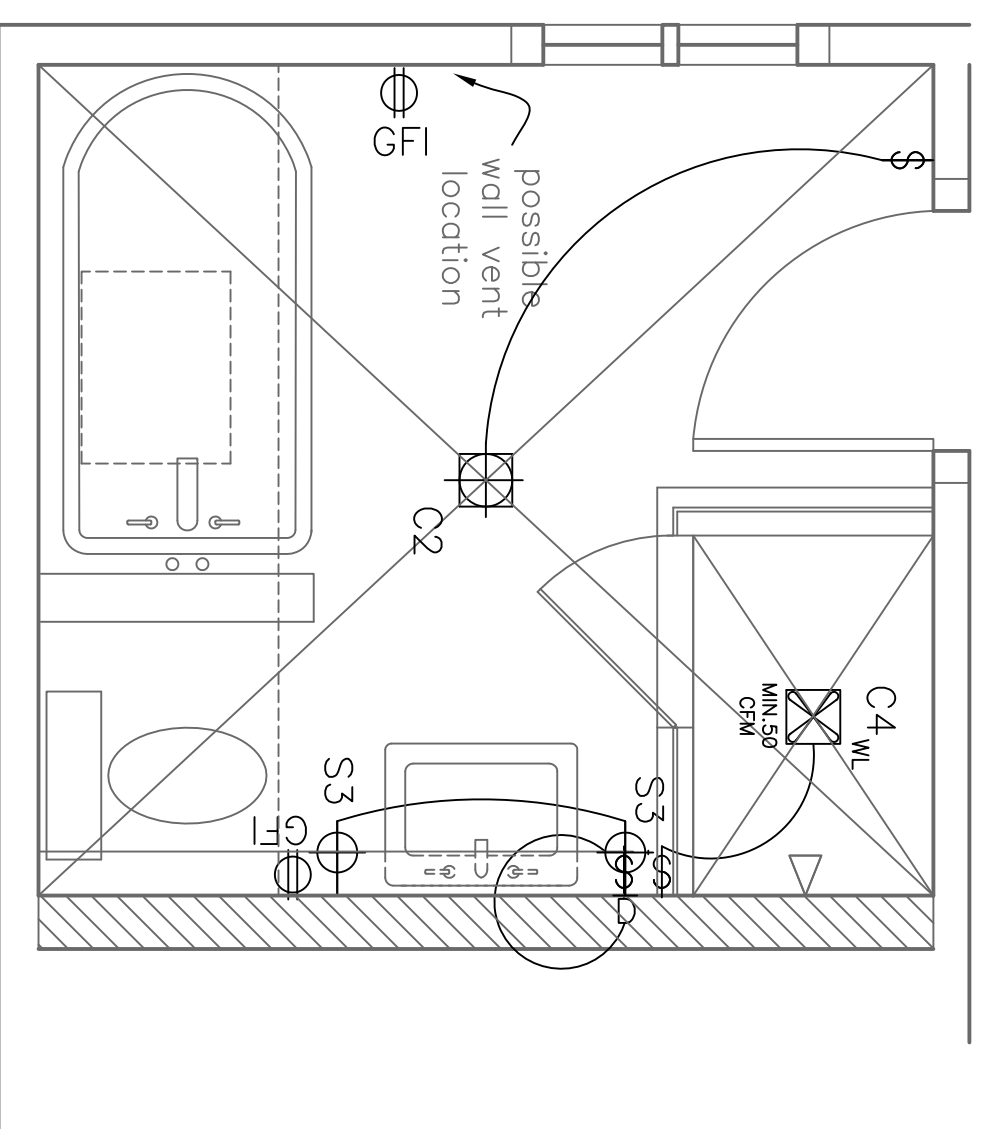
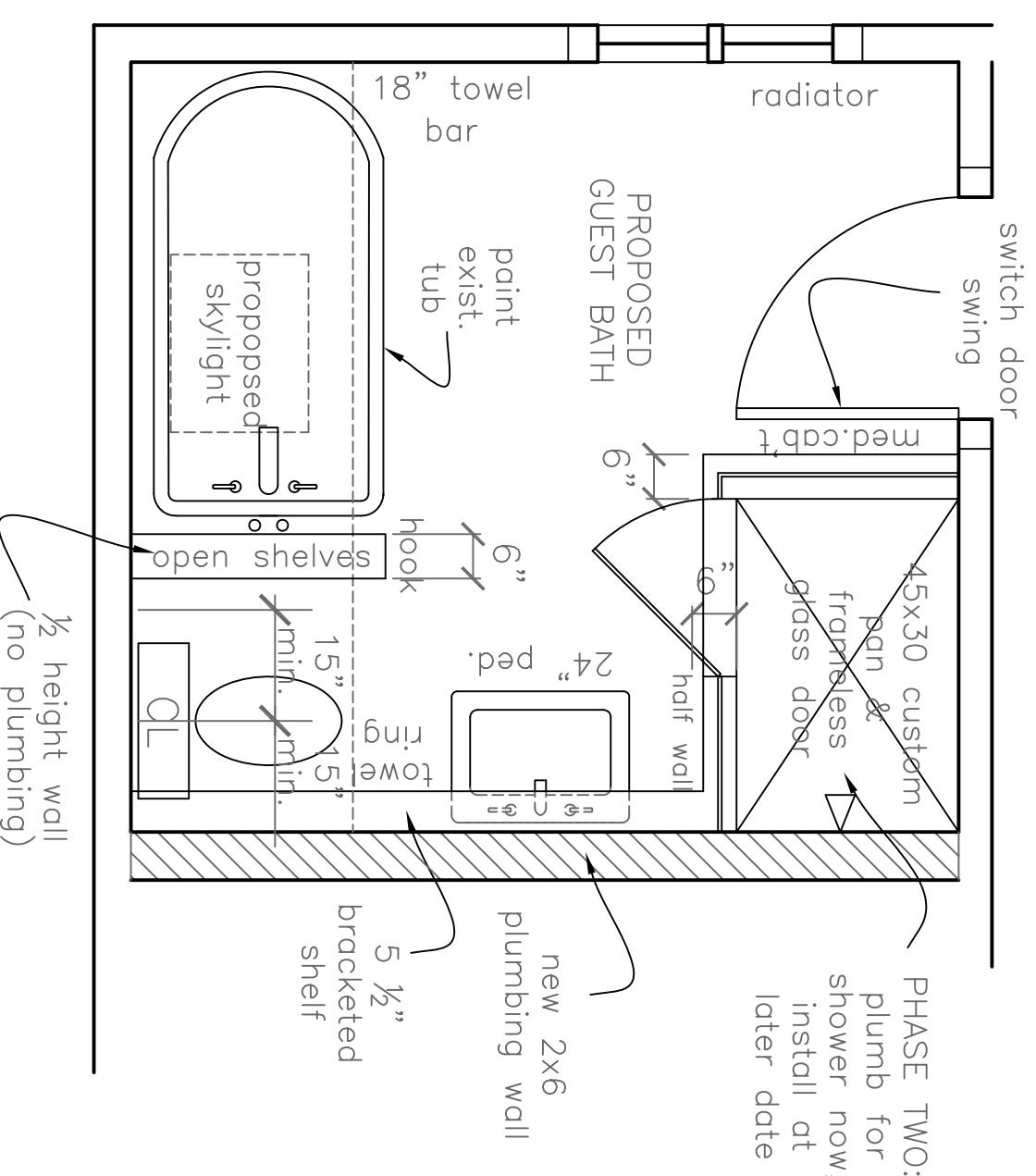


Rachel Only

Architectural Design

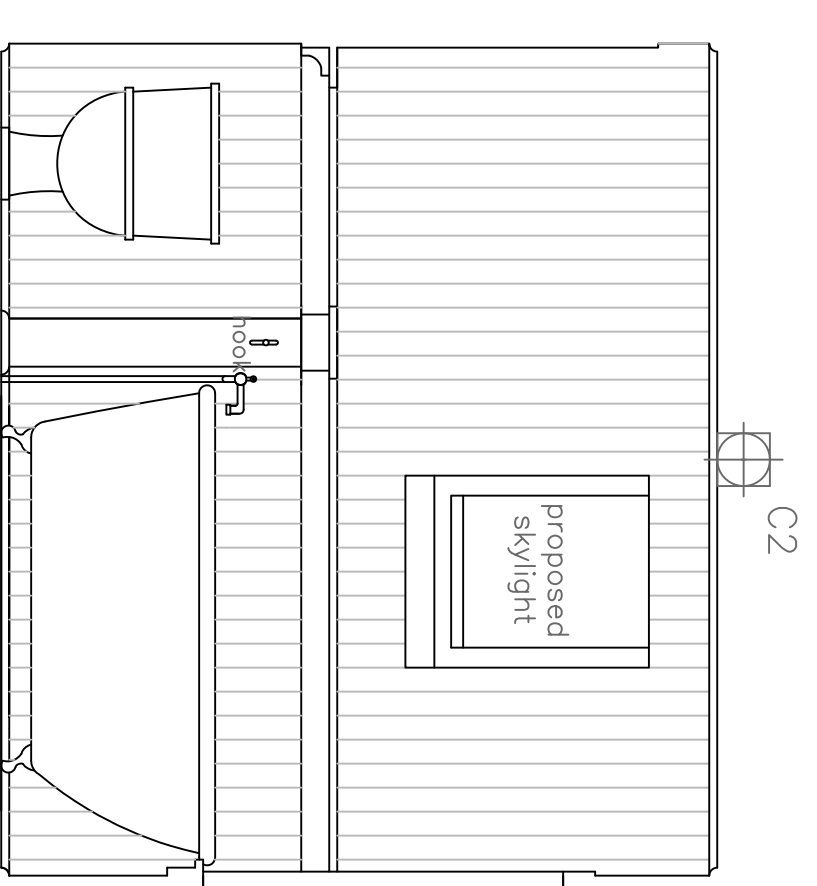
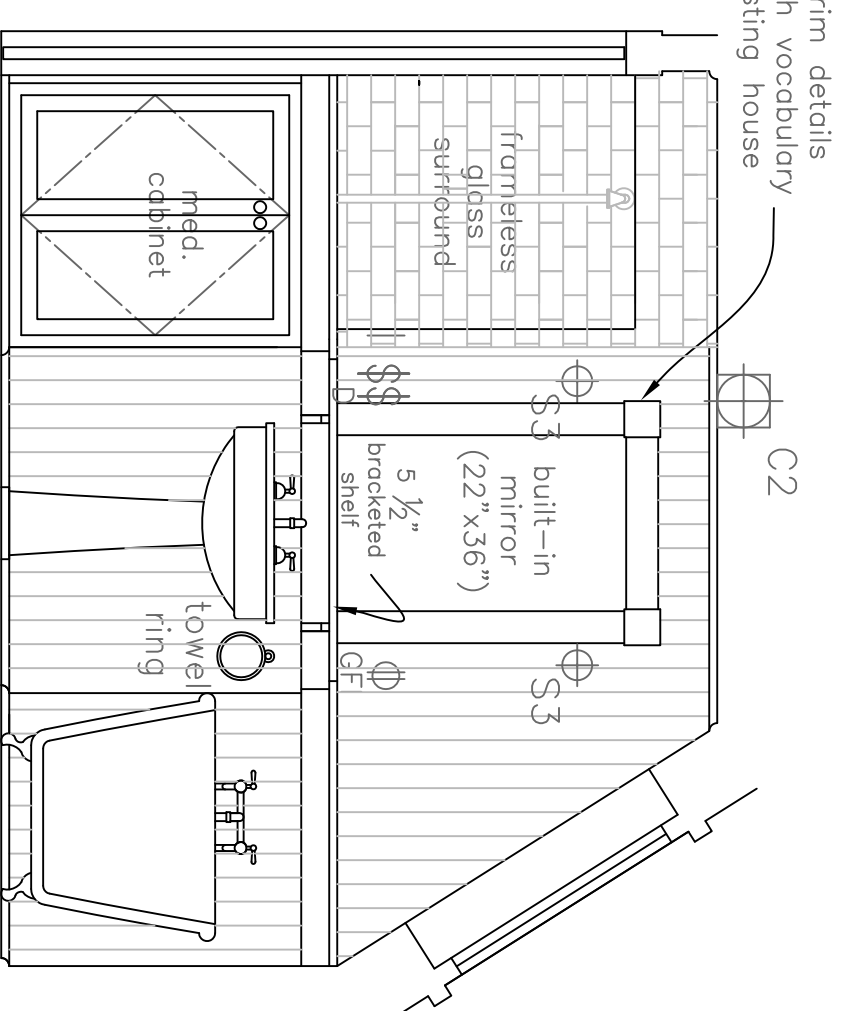
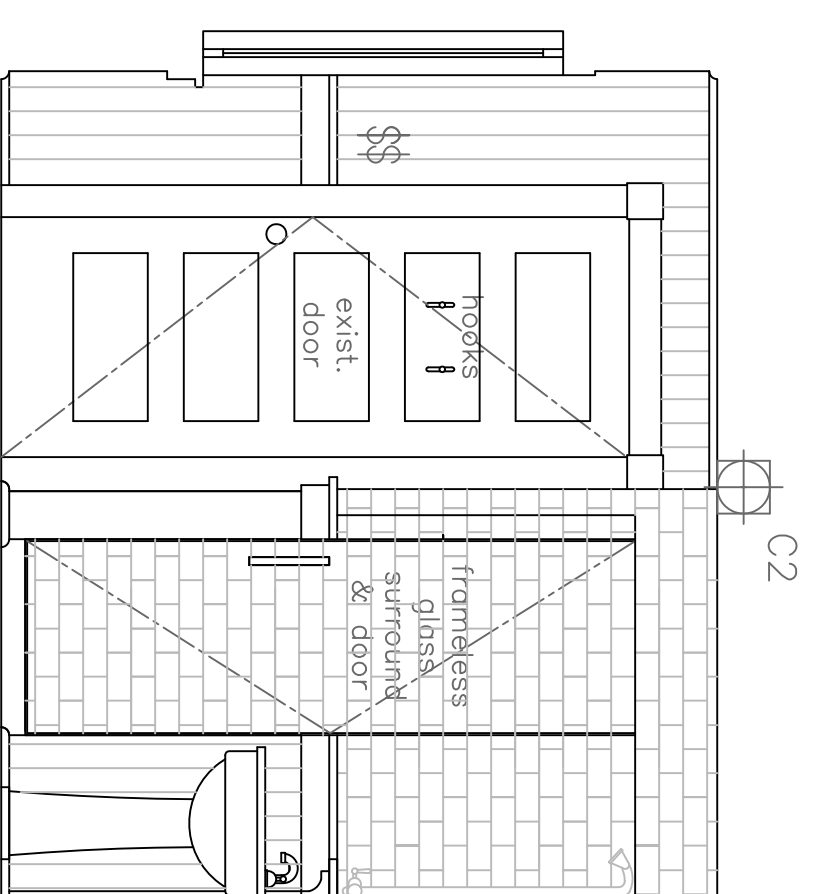
207.766.5625

Proposed
Second Floor
Guest Bath



A Proposed Second Floor Guest Bath
1/2"=1'-0"

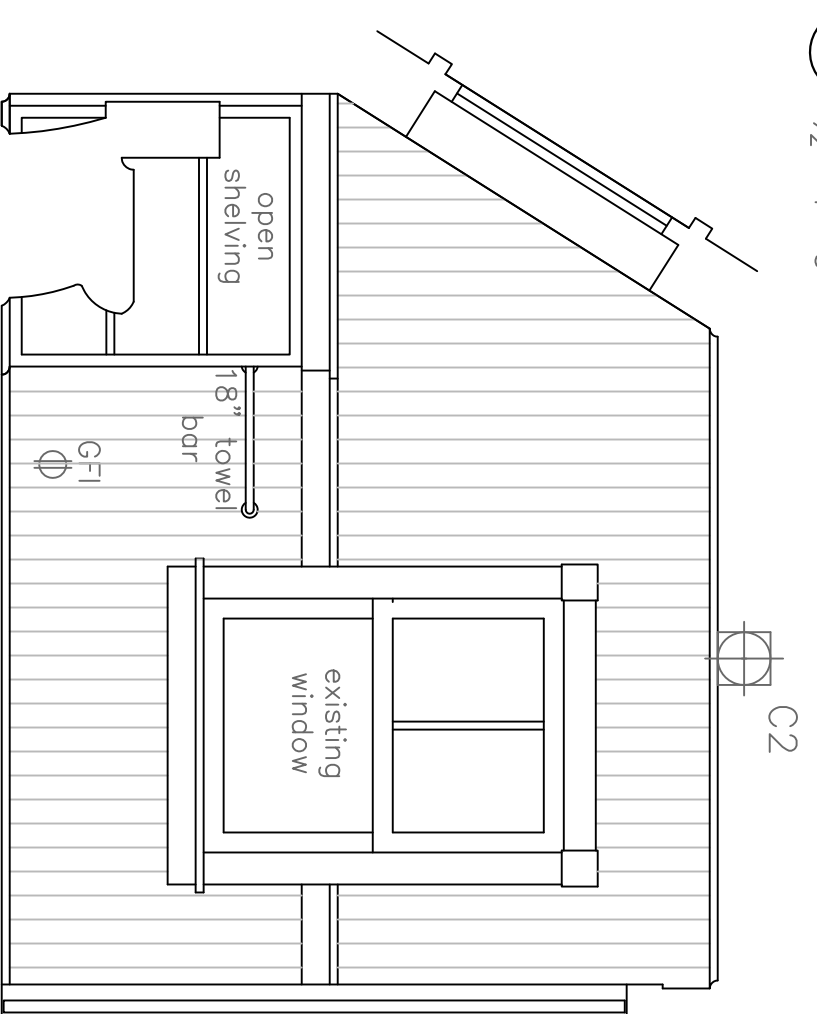
B Proposed Second Floor Guest Bath: Power & Lighting
1/2"=1'-0"



C Proposed Second Floor Guest Bath: North
1/2"=1'-0"

D Proposed Second Floor Guest Bath: East
1/2"=1'-0"

E Proposed Second Floor Guest Bath: South
1/2"=1'-0"



F Proposed Second Floor Guest Bath: West
1/2"=1'-0"

PROJECT

Frexes Steed
Residence

3 Torrington Point
Peaks Island, Maine
04108

DATE REVISED 10.17.12

SCALE 1.13.13

DRAWN BY Rachel

NOTES

A11