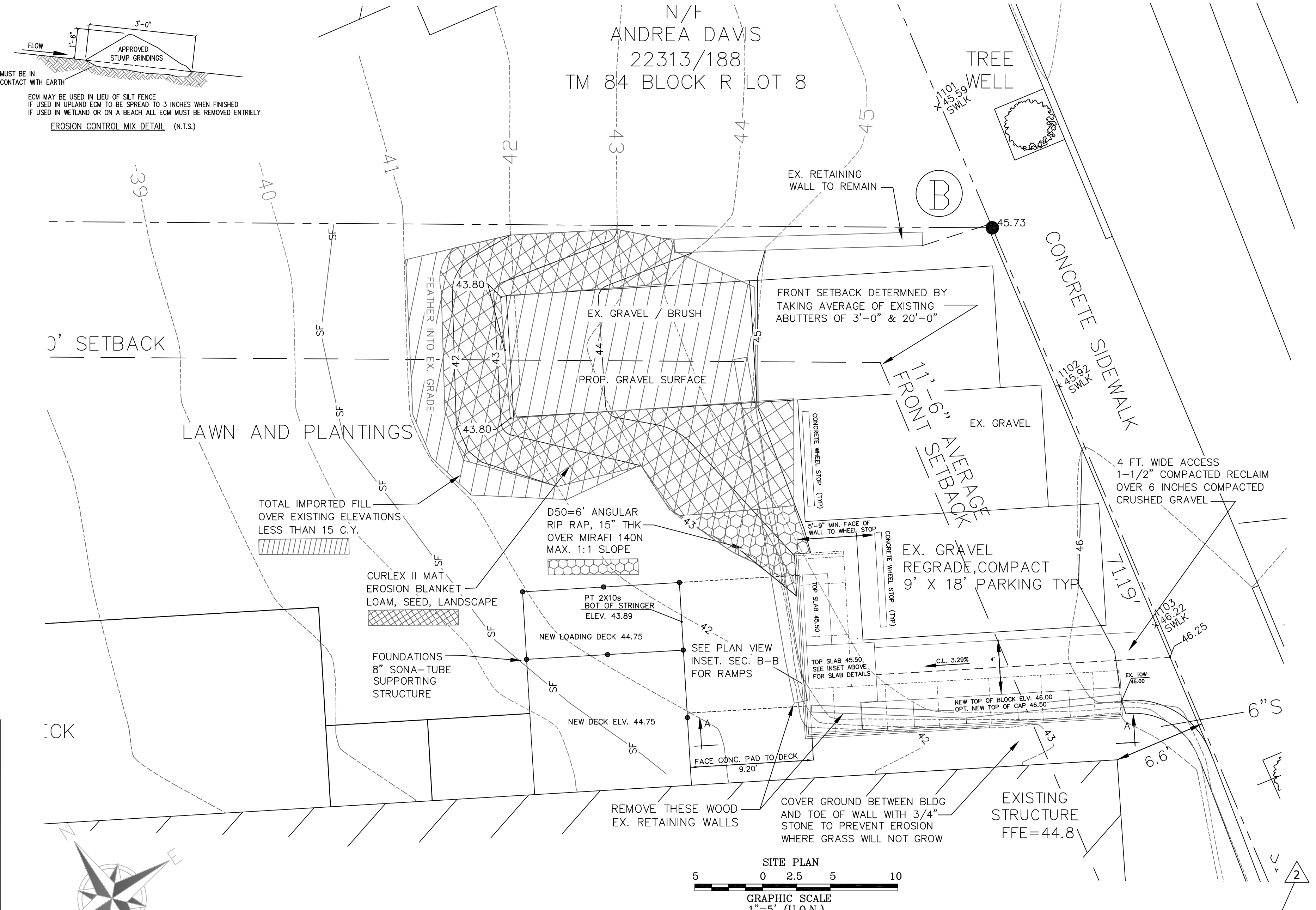
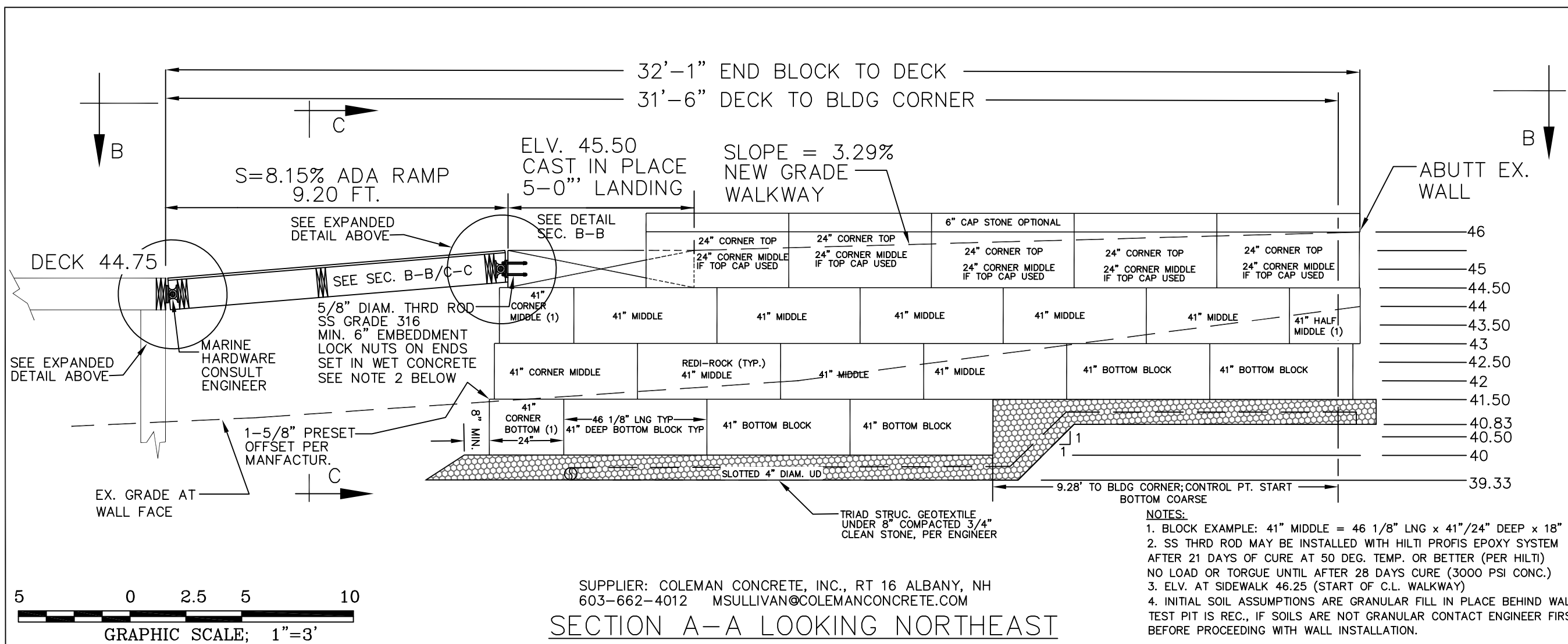
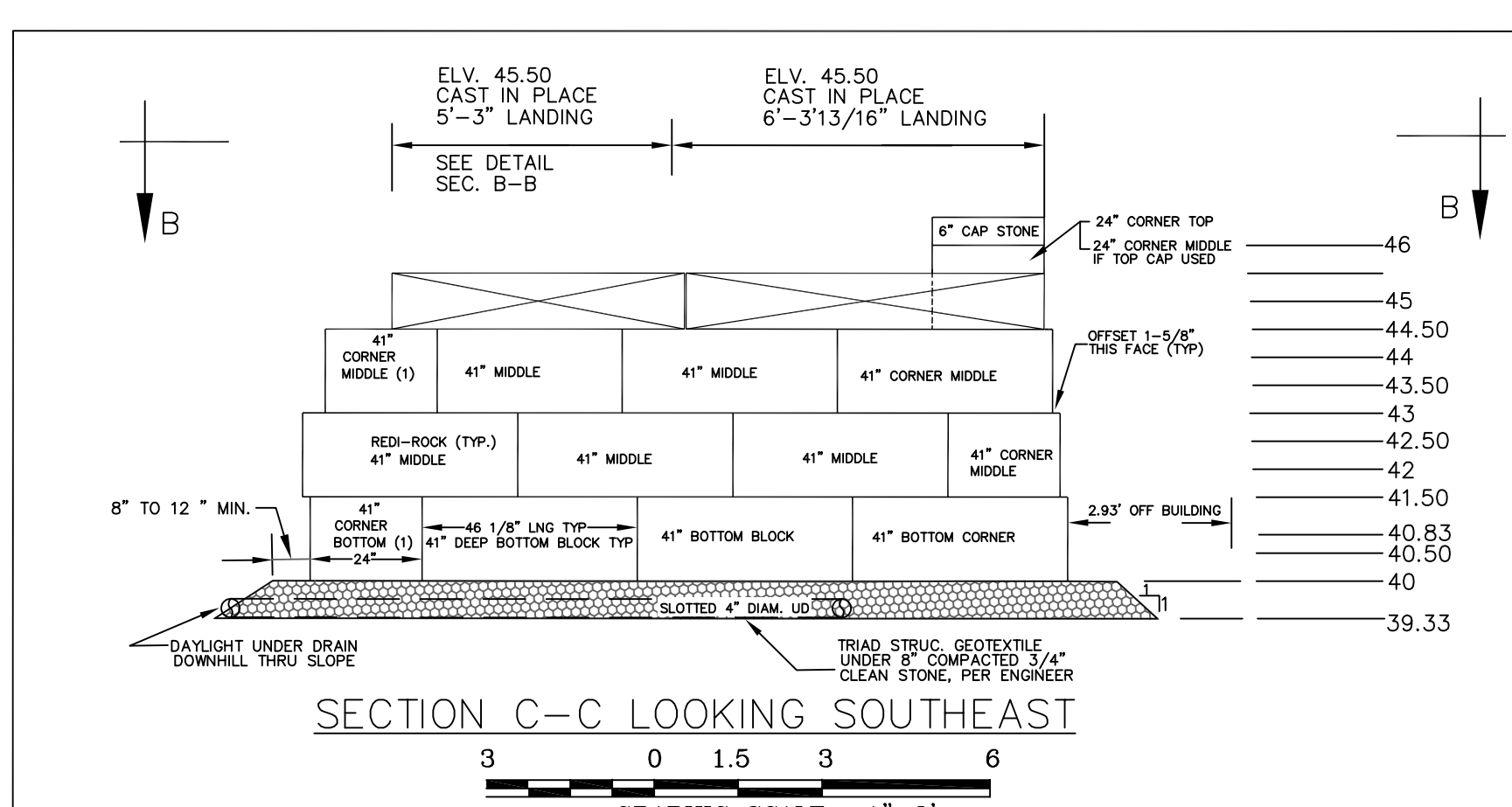
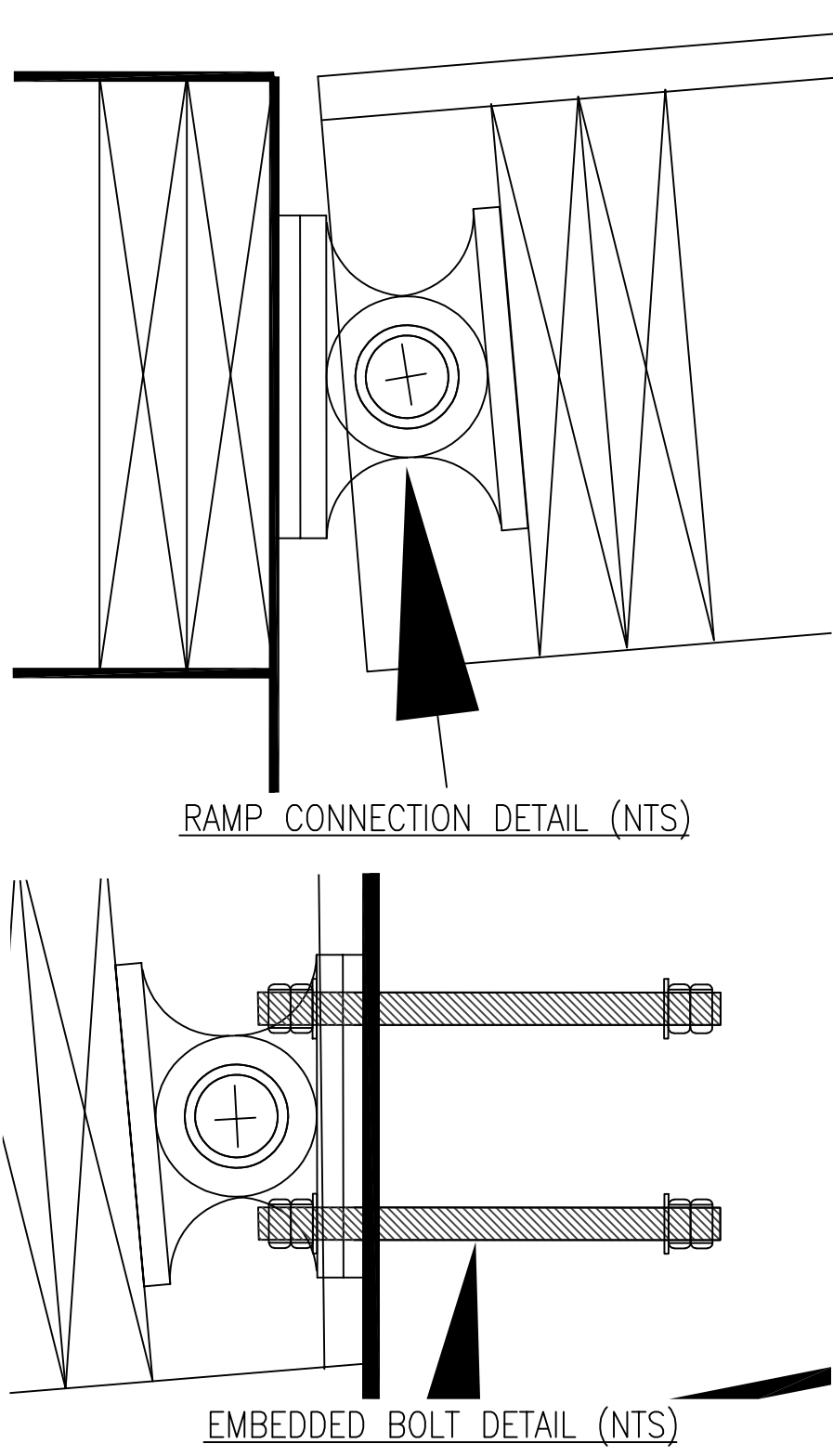
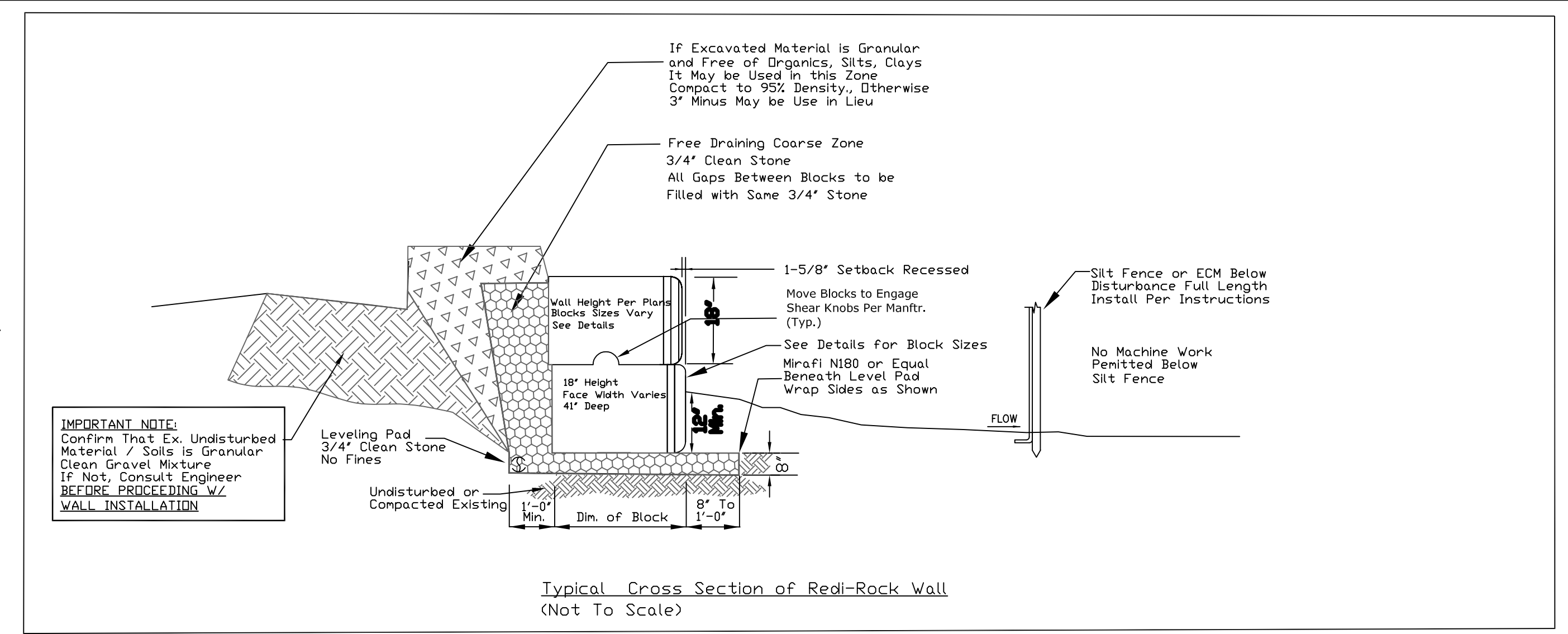
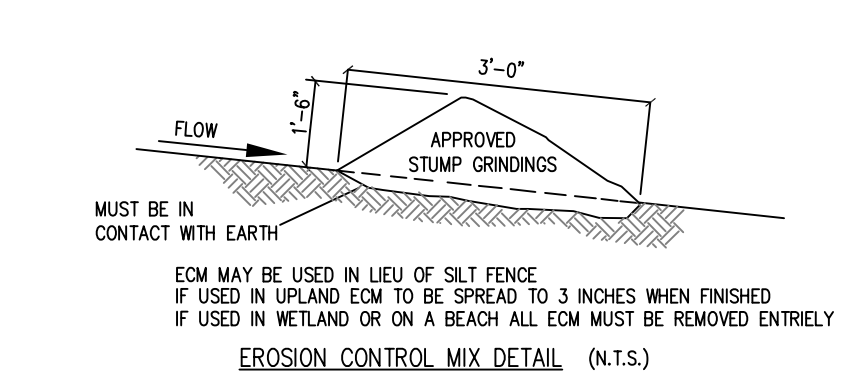
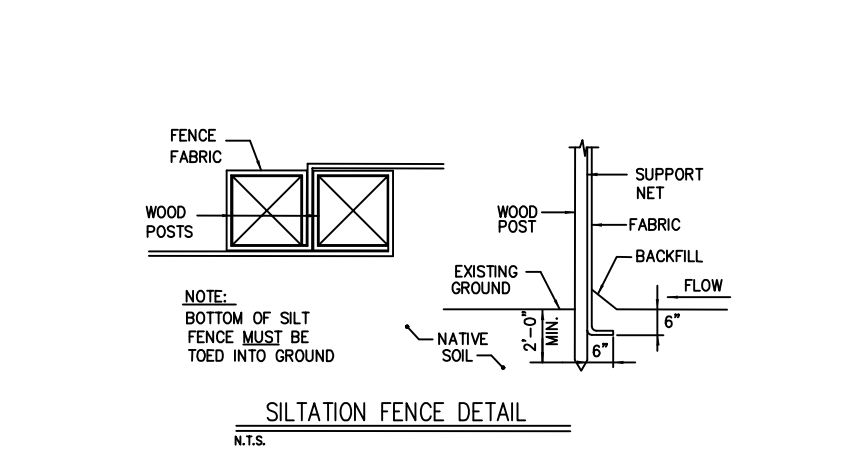


- GENERAL EROSION CONTROL NOTES (WHERE APPLICABLE)**
- PROJECT MUST BE STARTED AND COMPLETED IN ONE GROWING SEASON.
1. ALL BMPs (EROSION CONTROL MEASURES) SHALL BE INSTALLED BELOW ALL SOIL DISTURBANCE AS SHOWN ON PLANS, BUT NOT LIMITED TO SUCH.
 2. SEED/MULCH SHALL BE APPLIED W/IN 5 DAYS OF FINAL GRADING OR PRIOR TO ANY RAIN EVENT. MULCH SHALL BE APPLIED SUCH THAT SOIL IS NOT VISIBLE.
 3. PERMANENT SEEDING / PLANTING SHALL BE COMPLETE BY 9/15 OF ANY YEAR.
 4. AFTER 9/15 WINTER MUST BE APPLIED TO ALL EXPOSED AREAS.
 5. AFTER 11/01 DORMANT SEED MUST BE APPLIED OVER ESTABLISHED WINTER RYE AT TWICE THE SEED RATE PER BMPs.
 6. SEED SELECTION MUST BE NATIVE TO THE LOCATION.
 7. DUE TO PROXIMITY TO RESOURCE, LOAM AND SEED AREAS MUST HAVE CURLEX II OVER MULCH REGARDLESS OF SLOPE GRADE. ANCHOR PER MFR.
 8. SILT FENCE AND ECM ARE INTERCHANGEABLE (SEE NOTES ON PLAN DETAILS).
 9. MULCH SHALL BE APPLIED PRIOR TO ANY RAIN OR SNOW EVENT.
 10. BMPs SHALL REMAIN IN PLACE UNTIL GRASS CATCH IS AT 85% (U.O.N.).
 11. NO TEMPORARY EXCAVATED OR BORROW MATERIALS MAY BE STOCKPILED W/IN 100 FEET OF ANY RESOURCE EXCEPT TO BE USED IN THE SAME WORK DAY.
 12. ONLY LOW PHOSPHOROUS FERTILIZER PERMITTED.
 13. NO STUMPAGE OR EXCAVATED ORGANICS TO BE BURIED ON SITE OR IN BACKFILL.
 14. PUBLIC ROADS MUST BE KEPT FREE OF ALL MUD AND DIRT AT ALL TIMES.
 15. CONTRACTOR SHALL USE DESIGNATED STABILIZED PAD AS LAYDOWN.



THIS IS A PARTIAL SITE PLAN PREPARED FOR PROPOSED CONDITIONS ONLY FOR FULL EXISTING CONDITIONS AND BOUNDARY PLAN SEE PLAN BY SURVEY, INC.

Rachel Conly Design LLC
26 Sterling Street
Peaks Island, Maine 04108
207.766.5625
www.rachelconlydesign.com

2 Island Ave.
Peaks Island, ME

SITE WORK ONLY BY EA&D, INC.

ENGINEERING ASSISTANCE & DESIGN, INC.
ROSS A CUDLITZ, PE (E 5865, NH 6881, VT 107112)
10 NORTH ROAD, YARMOUTH, MAINE 04096
CPESC, CPSWQ, CESSW, CPMSM, ME DEP CERT.
PHONE/FAX: 207-846-0839; E-MAIL: ZTILDUC@MAINE.ER.COM

WITH MY PERMISSION AND KNOWLEDGE, I AFFIX THIS ELECTRONIC SEAL & SIGNATURE

JANUARY 28, 2018

SITE DETAILS

C1.3

REVISED SITE - WALKWAY & RAMP