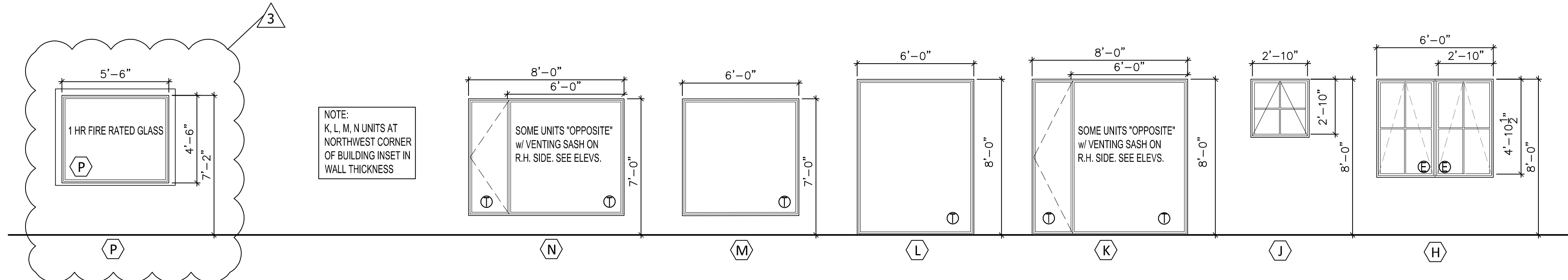
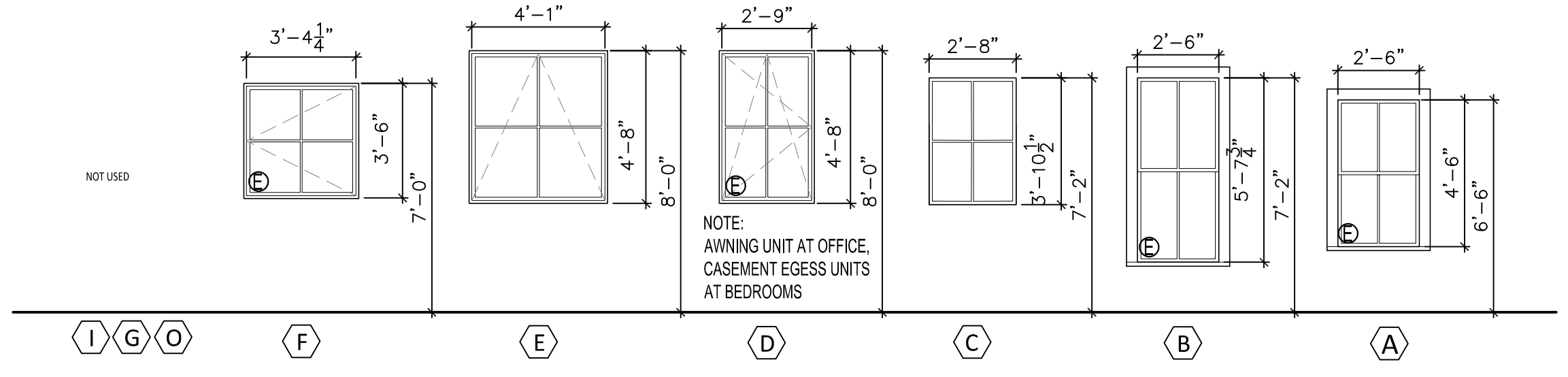


Rachel Conly Design LLC
 26 Sterling Street
 Peaks Island, Maine 04108
 207.766.5625
 www.rachelconlydesign.com

DATE	NOTES
2017.12.29	ISSUED FOR PERMIT
2018.01.16	1 TWO HOUR GROUP SEPARATION
2018.02.02	2 REVISED SITE - WALKWAY & RAMP
2018.02.22	3 SEPARATION DTLS & 1HR RATING @ SOUTH WALL



- Ⓔ - EMERGENCY ESCAPE AND RESCUE OPENING WINDOW.
 - MIN NET CLEAR OPENING AREA 5.7 S.F.
 - MIN NET CLEAR OPENING HEIGHT 24"
 - MIN NET CLEAR OPENING WIDTH 20"
 - MIN NET CLEAR OPENING HEIGHT A.F.F. 44"
- Ⓙ - TEMPERED SAFETY GLASS REQ'D AT WINDOWS :
 - GLASS AREA > 9 S.F. &
 - BOTTOM OF GLASS <18" A.F.F. &
 - TOP OF GLASS >36" A.F.F. &
 - WALKING SURFACE WITHIN 36".



3 WINDOW SCHEDULE
 1/4"=1'-0"



2 EAST ELEVATION
 1/8"=1'-0"



NOTE: FOREGROUND DECK NOT SHOWN

1 WEST ELEVATION
 1/8"=1'-0"

PROJECT
 2 Island Ave.
 Peaks Island, ME

EAST & WEST ELEVATIONS

A2.2