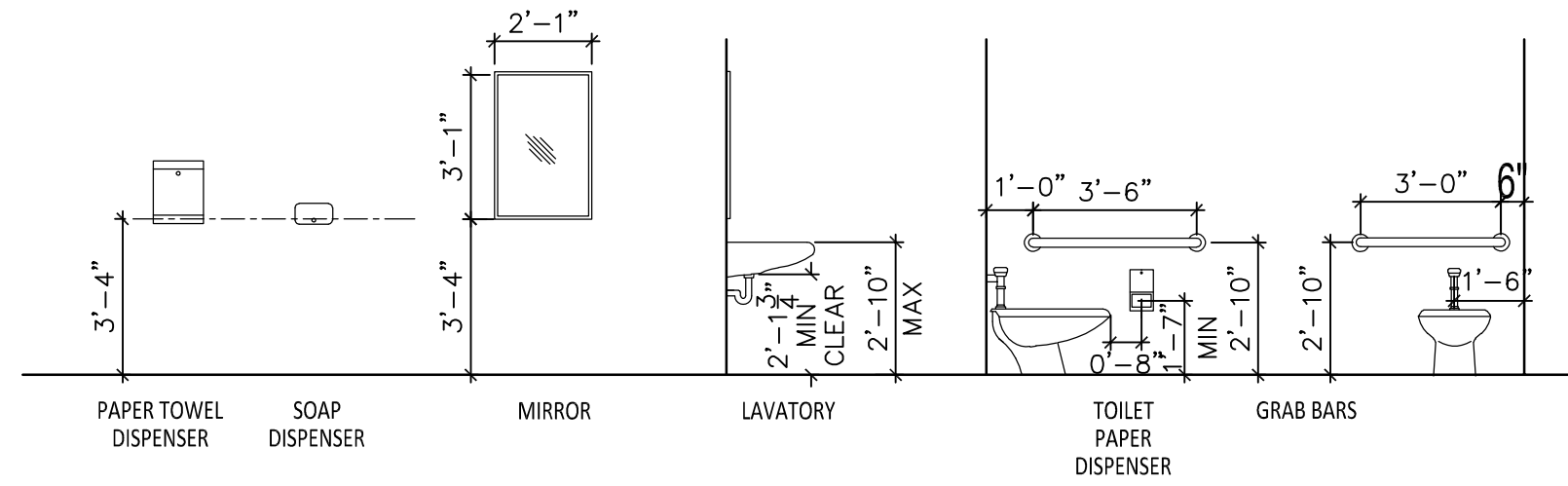


4 ENLARGED APT#2 BATH PLAN
1/4"=1'-0"



NOTE:
PROVIDE IN-WALL BLOCKING FOR ALL GRAB BARS, MIRRORS,
AND OWNER FURNISHED TOILET ACCESSORIES.

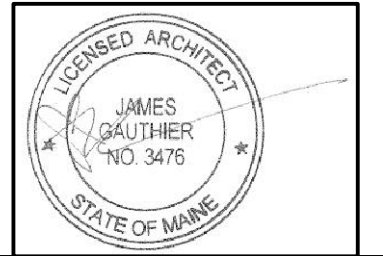
3 ADA TOILET RM MOUNTNG LOCATIONS
N.T.S.

ACCESSIBILITY NOTES

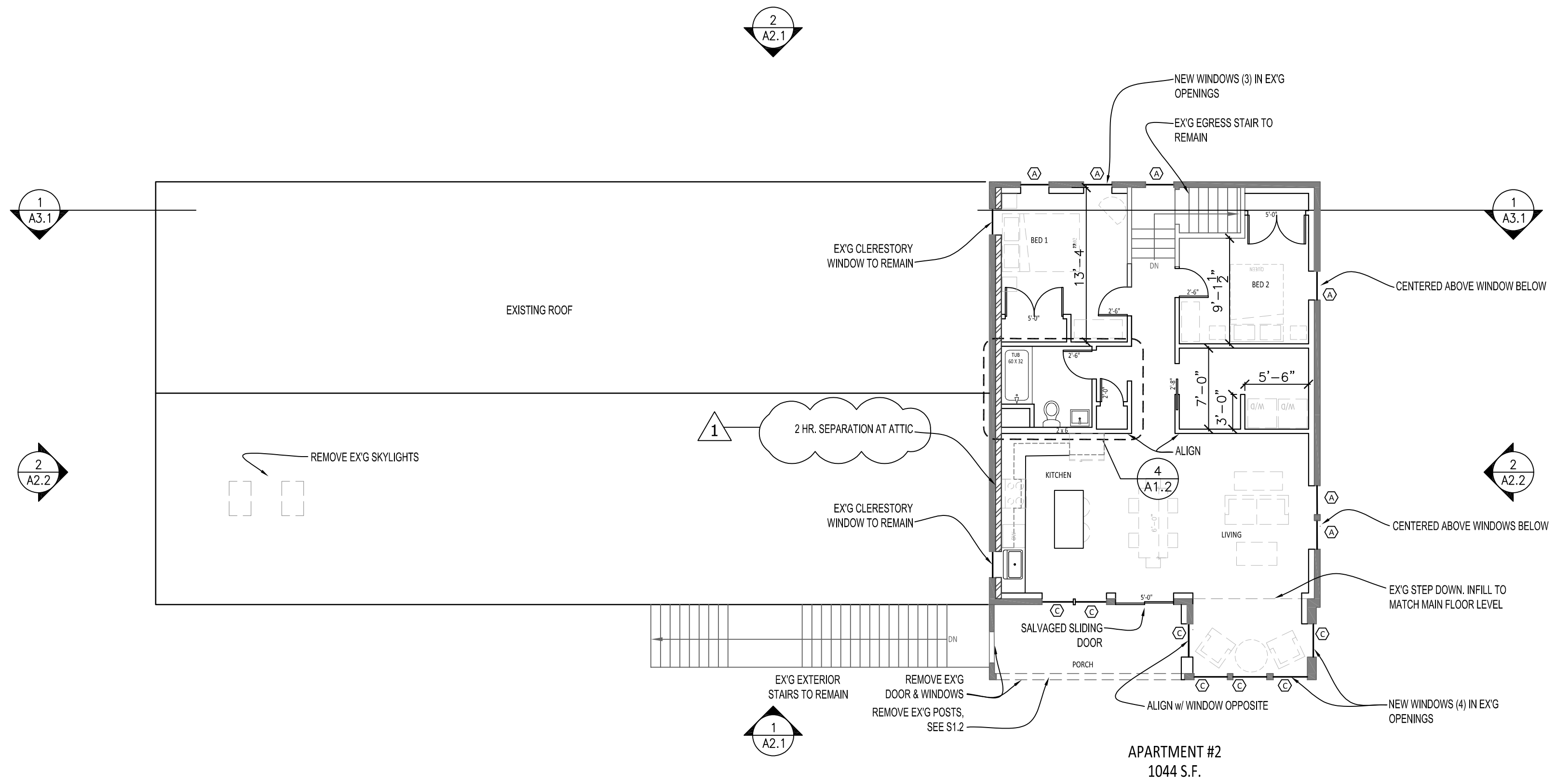
PROVIDE ADA ACCESSIBILITY TO BUSINESS OCCUPANCY INCLUDING BUT NOT LIMITED TO:

- ACCESSIBLE ROUTE FROM SIDEWALK TO ENTRY INCLUDING RAMP w/ SLOPE <1:12.
- RAMP w/ HANDRAILS & SLOPE <1:12 TO LANDING AT ENTRY DOOR.
- THRESHOLD <1/2" AT DOORS.
- 32" CLEAR OPENING BETWEEN LATCH SIDE STOP & OPEN DOOR LEAF AT DOORS.
- MANEUVERING CLEARANCES AND TURNING SPACES AT DOORS & OTHER OBSTACLES.
- ACCESSIBLE TOILET ROOM INCLUDING FIXTURES, HANDLES, REACH RANGES, & CLEARANCES.
- LEVER DOOR HANDLES.
- ONE ACCESSIBLE WORKSTATION.

2 ACCESSIBILITY NOTES



Rachel Conly Design LLC
26 Sterling Street
Peaks Island, Maine 04108
207.766.5625
www.rachelconlydesign.com



1 A3.1

2 A2.2

2 A2.1

1 A2.1

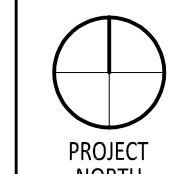
1 SECOND FLOOR PLAN
1/8"=1'-0"

PARTITION TYPES KEY

	EXISTING TO REMAIN
	NEW PARTITION
	2 HR ASSEMBLY
	1/2 HR ASSEMBLY

- FLOOR PLAN NOTES
- DIMENSIONS TO FINISH FACE OF WALL & CENTERLINE OF DOORS & WINDOWS.
 - CLOSETS 2'-0" CLEAR INSIDE, TYP.
 - DOOR HINGE JAMB 4" FROM CORNER, TYP, U.N.O.

DATE	ISSUED FOR PERMIT	NOTES
2017.12.29		
2018.01.16	1	TWO HOUR GROUP SEPARATION
2018.02.02	2	REVISED SITE - WALKWAY & RAMP



PROJECT NORTH

PROJECT

2 Island Ave.
Peaks Island, ME

SECOND FLOOR PLAN

A1.2