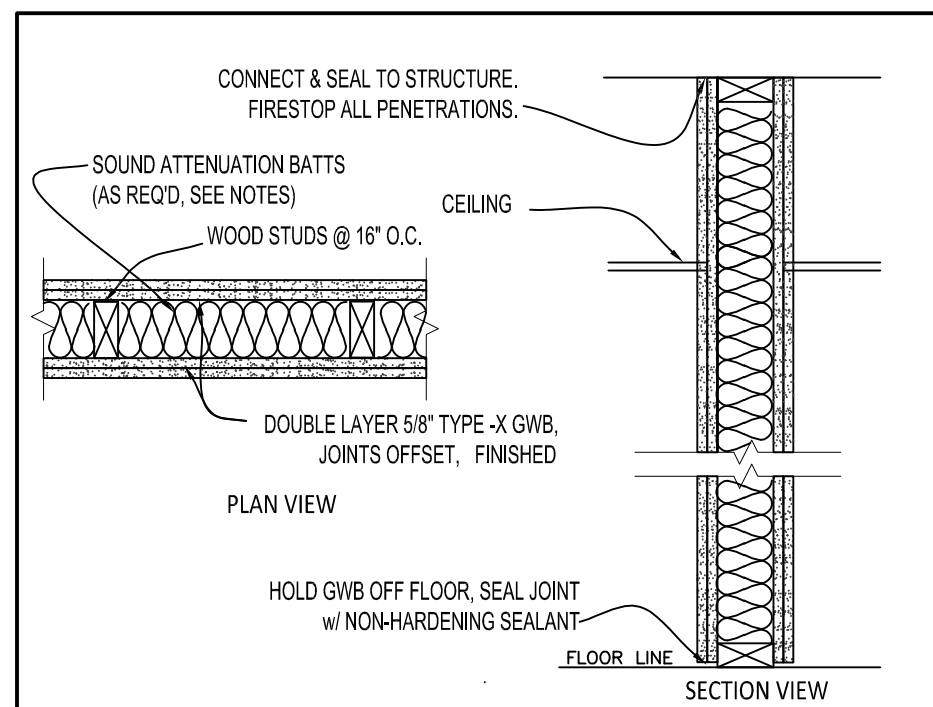


Rachel Conly Design LLC
 26 Sterling Street
 Peaks Island, Maine 04108
 207.766.5625
 www.rachelconlydesign.com

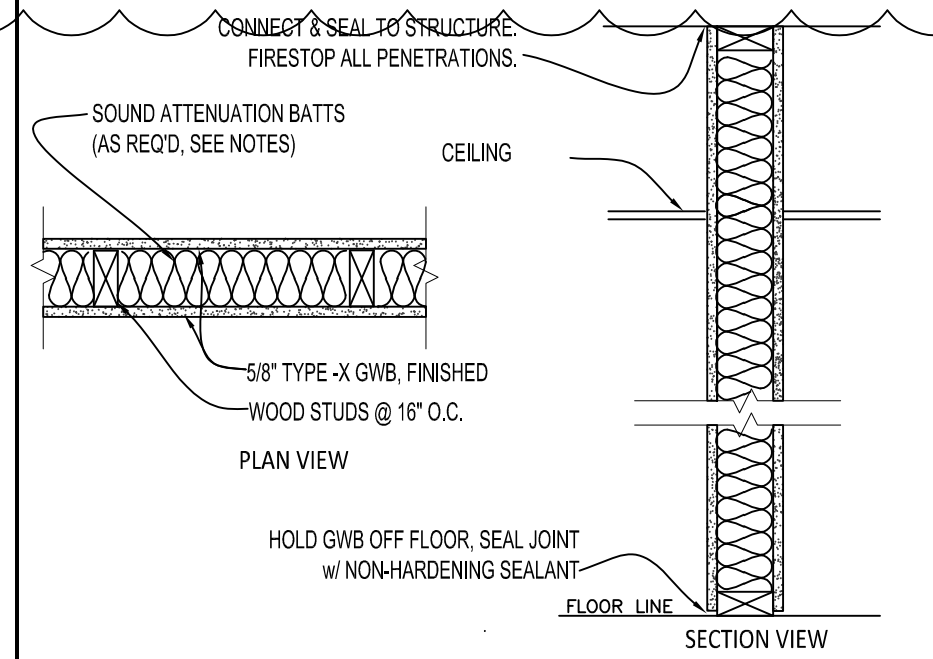
WINDOW SPECIFICATIONS

VINYL WINDOW UNITS w/ 7/8" LOW-E CLEAR ARGON FILLED INSULATED GLASS

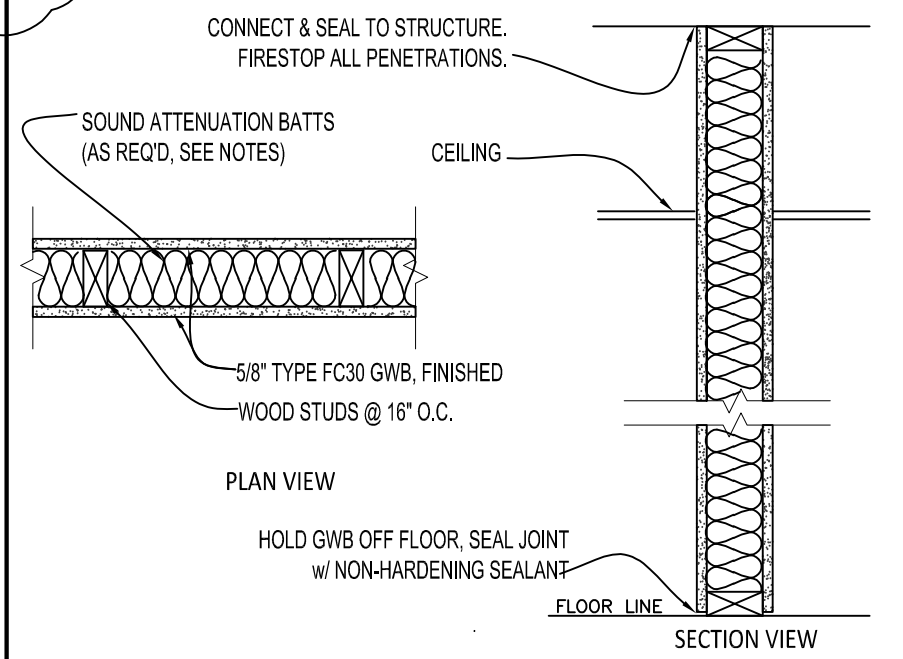
U-VALUE	0.31
SHGC	0.29
VLT	0.49



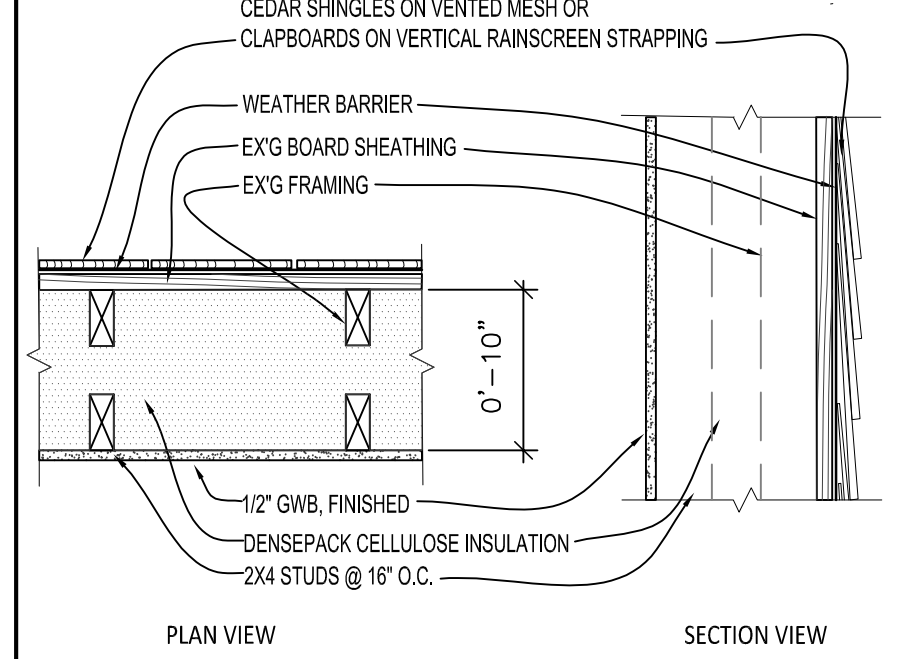
2 HOUR RATED ASSEMBLY #UL301



1 HOUR RATED ASSEMBLY #UL305



1/2 HOUR RATED ASSEMBLY #UL407



EX'G EXTERIOR WALL w/ INTERIOR SECOND STUD WALL & CELLULOSE INSULATION

R-VALUE CALCULATIONS

ASSEMBLY R-VALUES BY PARALLEL PATH CALCULATION METHOD (WEIGHTED 75% CAVITY, 25% STUDS PLATES, HEADERS):

EXTERIOR WALLS:	R-37 DOUBLE STUD WALL (NEW WALL INBOARD OF EX'G) w 10" DENSE-PACK CELLULOSE INSULATION
EXISTING ROOF:	R-10 2" EXTRUDED POLYSTYRENE OVER ROOF SHEATHING . EXISTING TO REMAIN.
NEW FLAT CEILINGS:	R-55 16" LOOSE FILL CELLULOSE
GROUND FLOOR SLAB:	R-20 4" EXTRUDED POLYSTYRENE BELOW 4" CONCRETE
PERIMETER SKIRTING:	R-18 3" CLOSED-CELL POLYURETHANE SPRAY FOAM APPLIED TO INTERIOR OF SHEATHING

SEALING OF BUILDING ENVELOPE

EXTERIOR OPENINGS, JOINTS, CRACKS, & HOLES IN THE BUILDING ENVELOPE TAPED, CAULKED, GASKETED, WEATHERSTRIPPED, OR OTHERWISE SEALED WITH A FLEXIBLE MATERIAL TO LIMIT AIR LEAKAGE.

PENETRATIONS IN INSULATING MATERIALS PROPERLY SEALED.

AREAS TO BE SEALED INCLUDE BUT NOT LIMITED TO THE FOLLOWING:

- AROUND WINDOW & DOOR FRAMES.
- UNDER THRESHOLDS.
- BETWEEN WALL ASSEMBLIES AND THEIR SILL PLATES & FOUNDATIONS.
- WHERE METAL & CONCRETE OR METAL & MASONRY ASSEMBLIES MEET.
- OPENINGS FOR PLUMBING, ELECTRICAL WIRING, AIR DUCTS, REFRIGERANT, & GAS LINES IN EXTERIOR WALLS, FLOORS, & CEILINGS.
- OPENINGS IN THE ATTIC FLOOR.
- SERVICE AND ACCESS DOORS & HATCHES.
- RECESSED LIGHTING FIXTURES.
- JOINTS BETWEEN EXTERIOR AND INTERIOR WALLS

4 BUILDING ENCLOSURE NOTES

- PROVIDE MOISTURE RESISTANT GWB IN BATHROOMS.
- PROVIDE SOUND ATTENUATING BATTS AT DEMISING WALLS, BATHROOM WALLS, SLEEPING ROOM WALLS.
- ALL FIRE RATED PARTITIONS SHALL BE STENCILED ON WALL SURFACE ABOVE THE CEILING LINE WHERE ACCESSIBLE INDICATING RATING IN RED PAINT ON EACH SIDE OF PARTITION.
- EXTEND SMOKE, SOUND, & FIRE PARTITIONS TO UNDERSIDE OF FLOOR/ROOF DECK U.N.O., SEAL TO DECK & FILL VOIDS BETWEEN FOR SMOKE AND SOUND CONTROL.
- REFER TO U.L. FOR DETAILS OF RATED PARTITION ASSEMBLY.
- CONTRACTOR IS RESPONSIBLE TO VERIFY FIELD CONDITIONS AND MODIFY CLOSURE DETAILS TO MEET ACTUAL CONDITIONS AND TO MAINTAIN CONTINUITY OF PARTITIONS FROM FLOOR TO DECK ABOVE.

3 RATED WALL TYPES

1"=1'-0"

2 EXTERIOR WALL TYPE

1"=1'-0"

1 WALL TYPE NOTES

1/8"=1'-0"

DATE	NOTES
2017.12.29	ISSUED FOR PERMIT
2018.01.16	1 TWO HOUR GROUP SEPARATION
2018.02.02	2 REVISED SITE - WALKWAY & RAMP

PROJECT

2 Island Ave.
 Peaks Island, ME

CONSTRUCTION SYSTEMS

A4.1