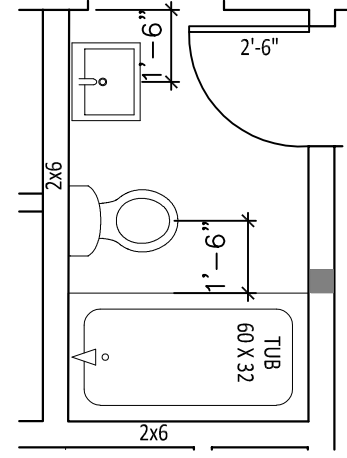
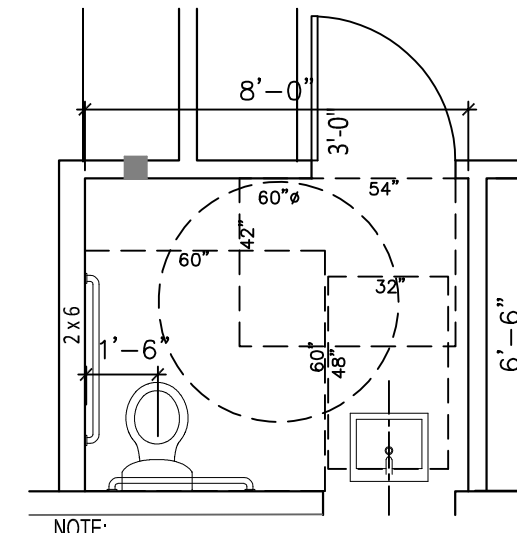


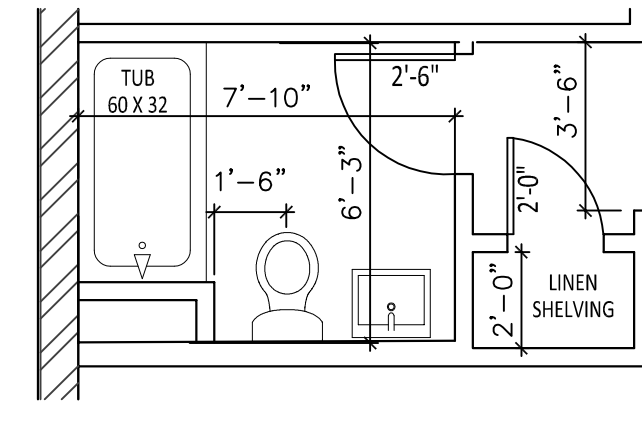
4 ENLARGED APT#4 BATH PLAN
1/4"=1'-0"



4 ENLARGED APT#4 MASTER BATH PLAN
1/4"=1'-0"

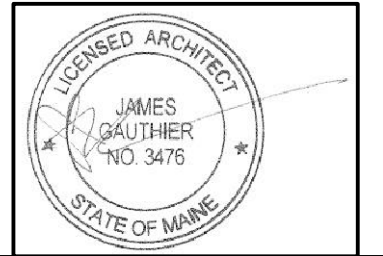


3 ENLARGED OFFICE ADA TLT RM PLAN
1/4"=1'-0"

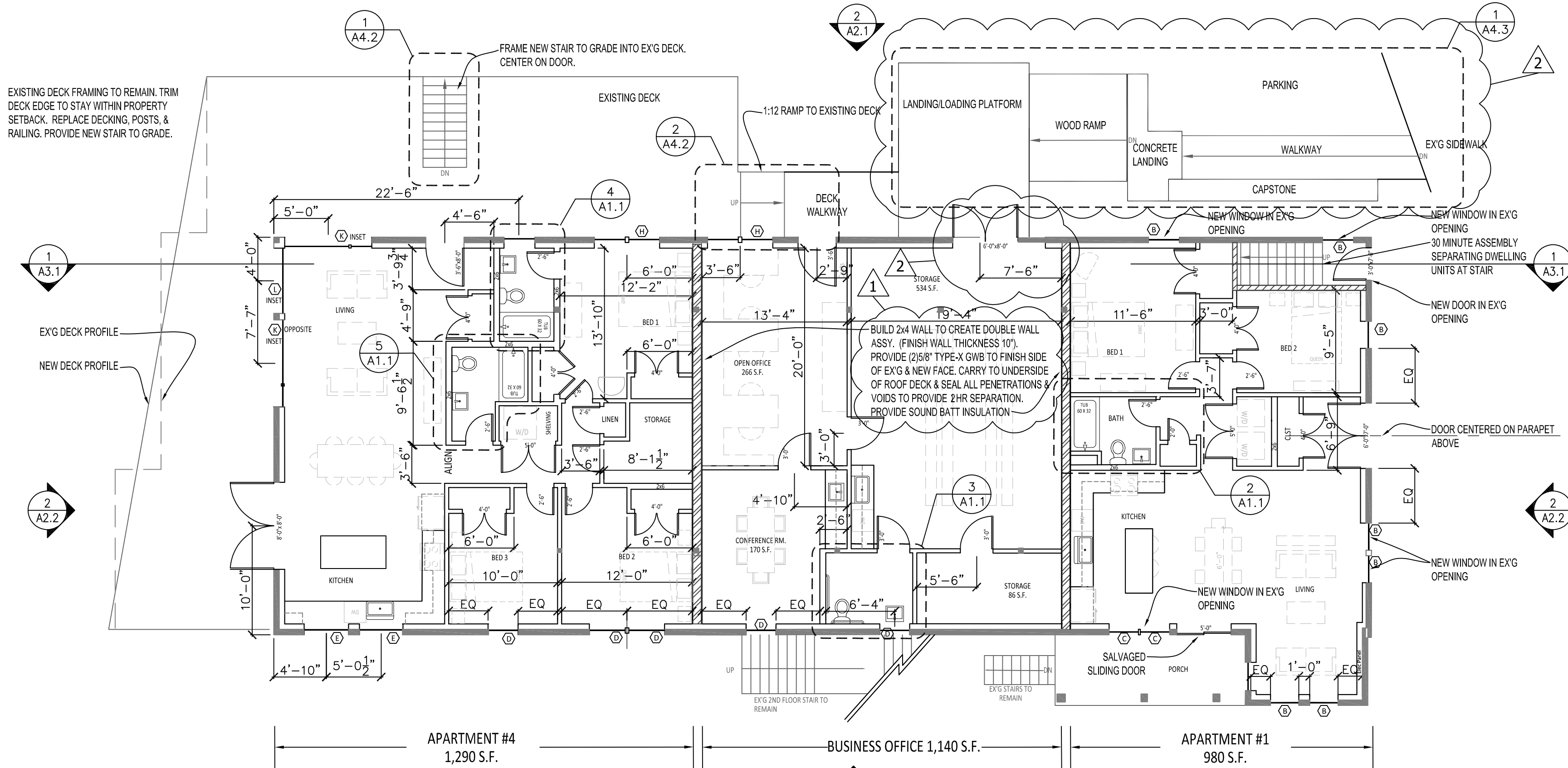


2 ENLARGED APT#1 BATH PLAN
1/4"=1'-0"

NOTE:
SEE 3/A1.2 FOR FIXTURE MOUNTING HEIGHTS.



Rachel Conly Design LLC
26 Sterling Street
Peaks Island, Maine 04108
207.766.5625
www.rachelconlydesign.com

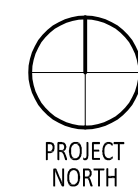


EXISTING DECK FRAMING TO REMAIN. TRIM DECK EDGE TO STAY WITHIN PROPERTY SETBACK. REPLACE DECKING, POSTS, & RAILING. PROVIDE NEW STAIR TO GRADE.

FRAME NEW STAIR TO GRADE INTO EX'G DECK. CENTER ON DOOR.

BUILD 2x4 WALL TO CREATE DOUBLE WALL ASSY. (FINISH WALL THICKNESS 10"). PROVIDE (2)5/8" TYPE-X GWB TO FINISH SIDE OF EX'G & NEW FACE. CARRY TO UNDERSIDE OF ROOF DECK & SEAL ALL PENETRATIONS & VOIDS TO PROVIDE 2HR SEPARATION. PROVIDE SOUND BATT INSULATION

DATE	ISSUED FOR PERMIT	NOTES
2017.12.29	1	TWO HOUR GROUP SEPARATION
2018.01.16	2	REVISED SITE - WALKWAY & RAMP
2018.02.02		



PROJECT NORTH

2 Island Ave.
Peaks Island, ME

PARTITION TYPES KEY

	EXISTING TO REMAIN
	NEW PARTITION
	2 HR ASSEMBLY
	1/2 HR ASSEMBLY

- FLOOR PLAN NOTES
- DIMENSIONS TO FINISH FACE OF WALL & CENTERLINE OF DOORS & WINDOWS.
 - CLOSETS 2'-0" CLEAR INSIDE, TYP.
 - DOOR HINGE JAMB 4" FROM CORNER, TYP, U.N.O.

1 FIRST FLOOR PLAN
1/8"=1'-0"

FIRST FLOOR PLAN

A1.1