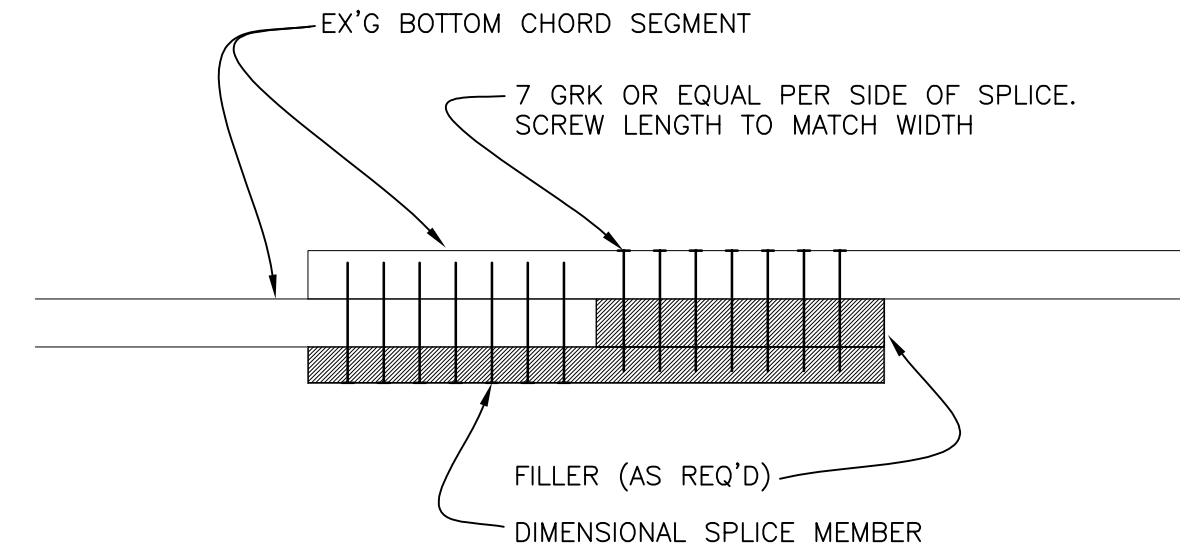
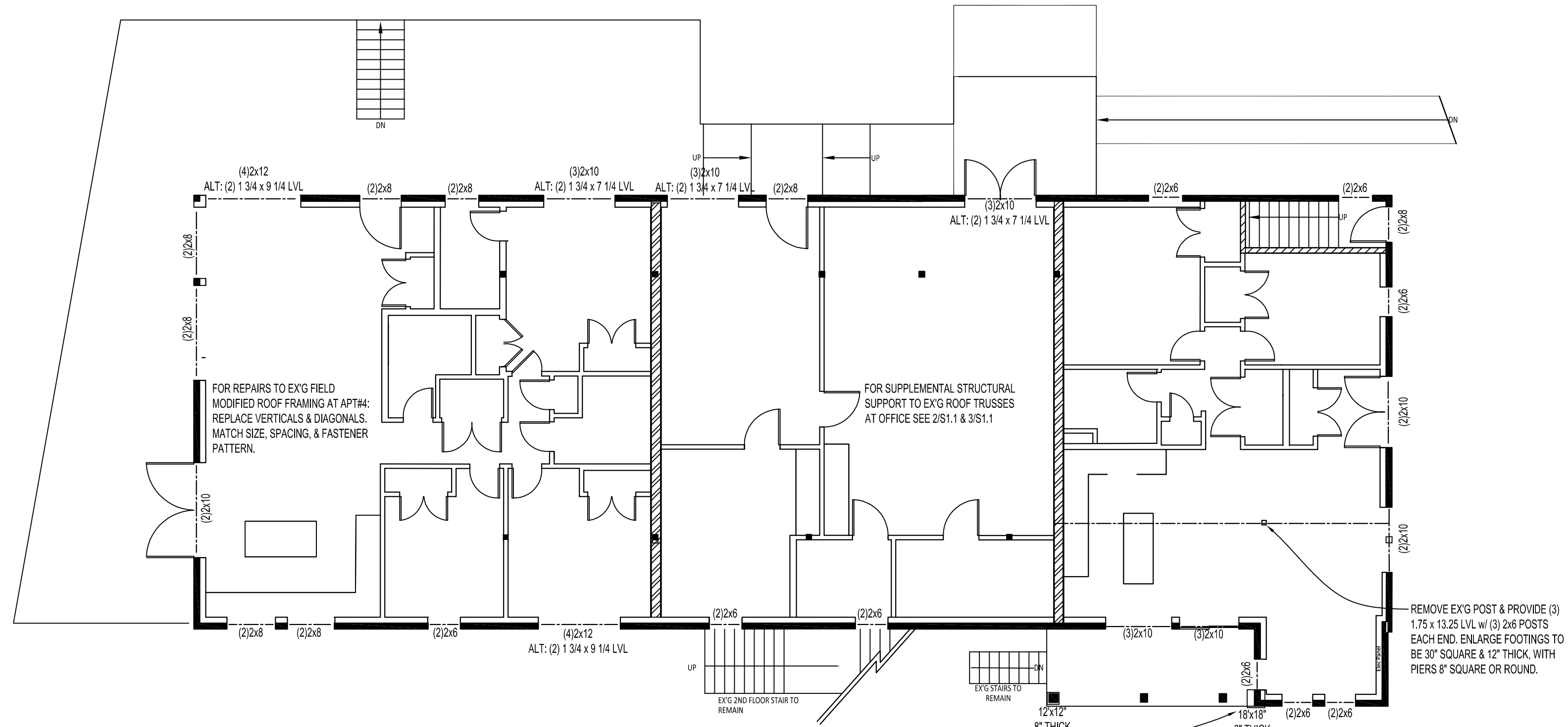


3 TRUSS HEEL REINFORCEMENT DETAIL
1 1/2"=1'-0"



2 TRUSS SPLICE REINFORCEMENT DETAIL
1 1/2"=1'-0"



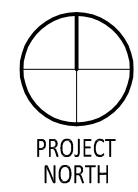
- STRUCTURAL NOTES
- FOUNDATION, FLOOR, & ROOF FRAMING PLANS & DETAILS PER APPROVED STRUCTURAL DRAWINGS OF 03.20.2017.
 - TYP @ EXTERIOR WALLS, NEW 2x4 WALL BUILT TO INTERIOR OF EXISTING TO PROVIDE DEPTH FOR INSULATION. SEE 2/A4.1.
 - TWO JACKS STUDS AT ALL EXTERIOR HEADER OPENINGS GREATER THAN 3'-0".
 - INTERIOR HEADERS (2) 2x4, TYP.

1 FIRST FLOOR WALL FRAMING PLAN
1/8"=1'-0"



Rachel Conly Design LLC
26 Sterling Street
Peaks Island, Maine 04108
207.766.5625
www.rachelconlydesign.com

DATE	NOTES
2017.12.29	ISSUED FOR PERMIT
	REVISED



PROJECT

2 Island Ave.
Peaks Island, ME

FIRST FLOOR
WALL FRAMING
PLAN

S1.1