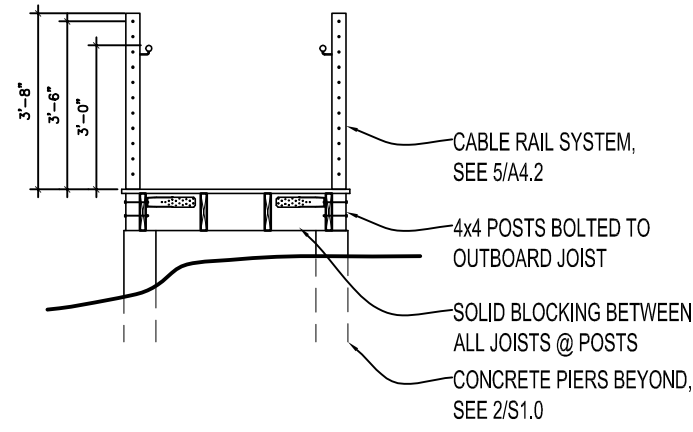
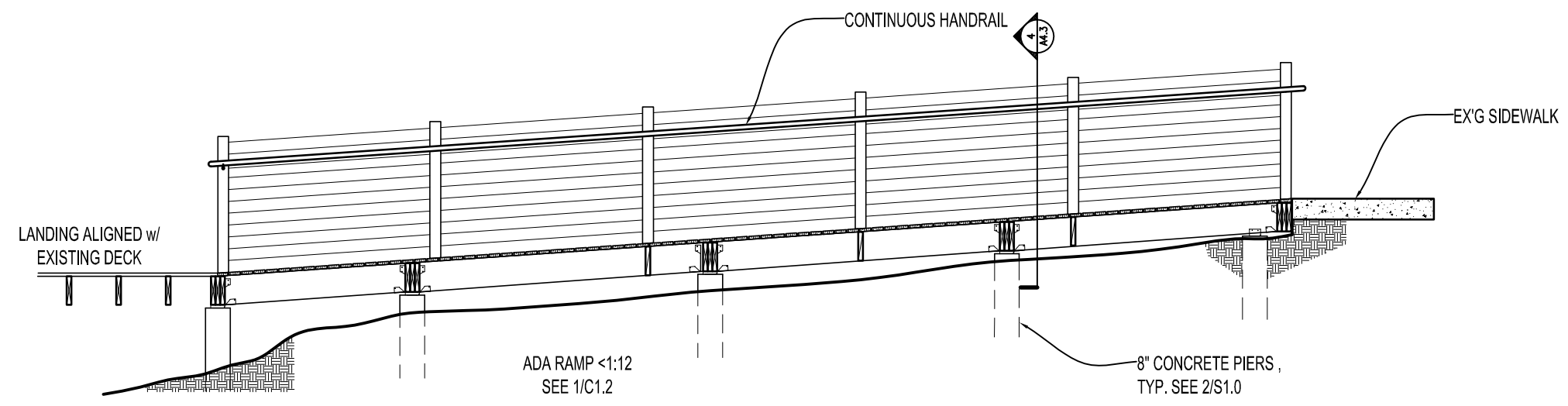


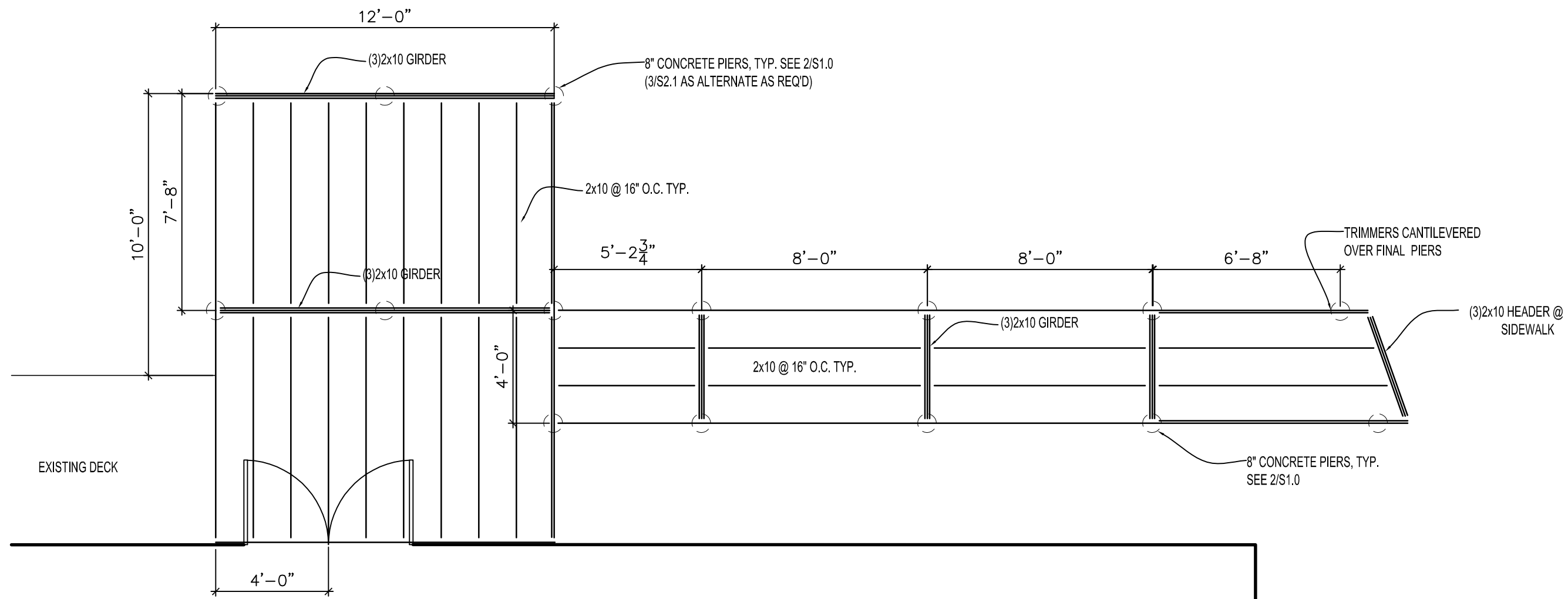
- NOTE:
- RAMP IS PART OF ACCESSIBLE ROUTE: SURFACES, SLOPES, WIDTHS & CLEARANCES, ETC. SHALL ALL MEET ADA REQUIREMENTS.
  - ALL DIMENSIONAL FRAMING LUMBER TO BE PRESSURE PRESERVE TREATED.
  - ALL FASTENERS, HANGERS, ETC. TO BE CORROSION RESISTANT GALVANIZED OR STAINLESS STEEL.



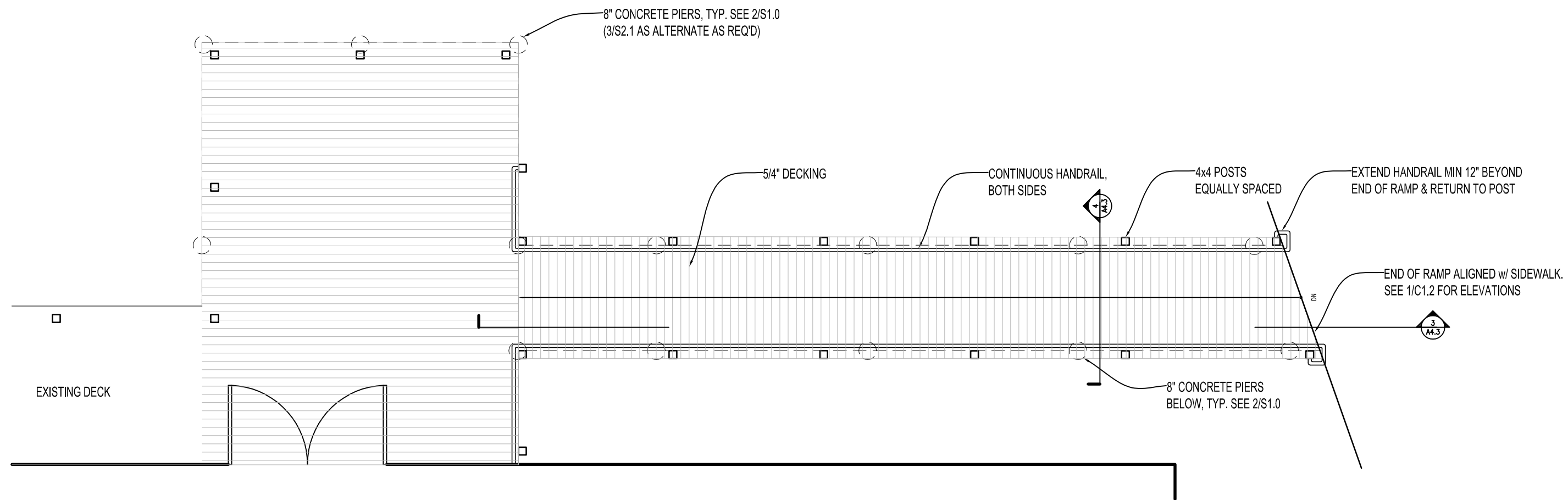
4 RAMP CROSS SECTION  
 1/4"=1'-0"



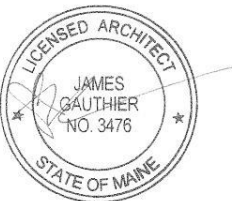
3 RAMP TRANSVERSE SECTION  
 1/4"=1'-0"



2 RAMP FRAMING PLAN  
 1/4"=1'-0"



1 RAMP PLAN  
 1/4"=1'-0"



Rachel Conly Design LLC  
 26 Sterling Street  
 Peaks Island, Maine 04108  
 207.766.5625  
 www.rachelconlydesign.com

DATE	NOTES
2017.12.29	ISSUED FOR PERMIT
REVISION	

PROJECT  
 2 Island Ave.  
 Peaks Island, ME

RAMP DETAILS  
 A4.3