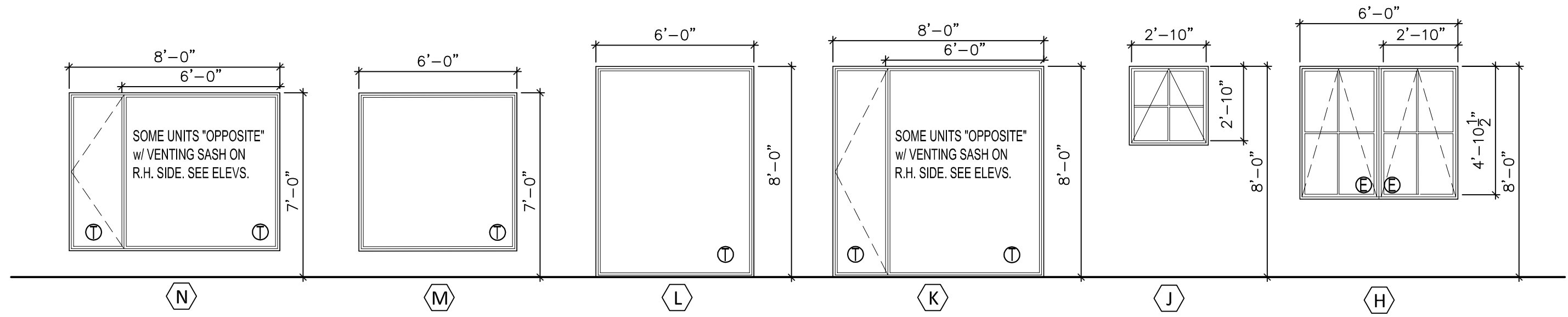
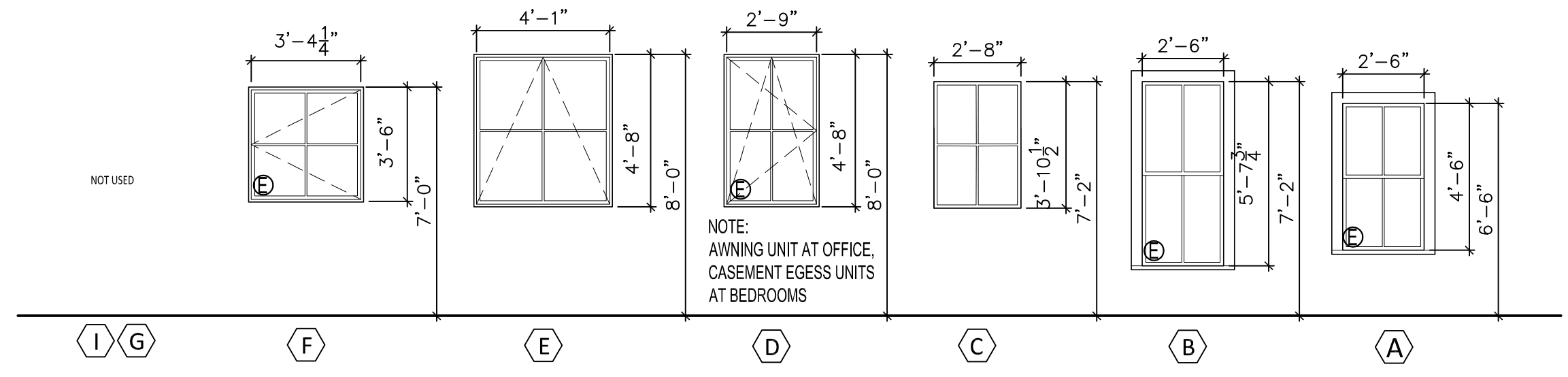


Rachel Conly Design LLC  
 26 Sterling Street  
 Peaks Island, Maine 04108  
 207.766.5625  
 www.rachelconlydesign.com



- Ⓔ - EMERGENCY ESCAPE AND RESCUE OPENING WINDOW.
  - MIN NET CLEAR OPENING AREA 5.7 S.F.
  - MIN NET CLEAR OPENING HEIGHT 24"
  - MIN NET CLEAR OPENING WIDTH 20"
  - MIN NET CLEAR OPENING HEIGHT A.F.F. 44"
- Ⓘ - TEMPERED SAFETY GLASS REQ'D AT WINDOWS:
  - GLASS AREA > 9 S.F. &
  - BOTTOM OF GLASS <18" A.F.F. &
  - TOP OF GLASS >36" A.F.F. &
  - WALKING SURFACE WITHIN 36".



3 WINDOW SCHEDULE  
 1/4"=1'-0"



2 EAST ELEVATION  
 1/8"=1'-0"



NOTE: FOREGROUND DECK NOT SHOWN

1 WEST ELEVATION  
 1/8"=1'-0"

DATE	NOTES
2017.12.29	ISSUED FOR PERMIT
	REVISED

PROJECT  
 2 Island Ave.  
 Peaks Island, ME

EAST & WEST  
 ELEVATIONS

A2.2