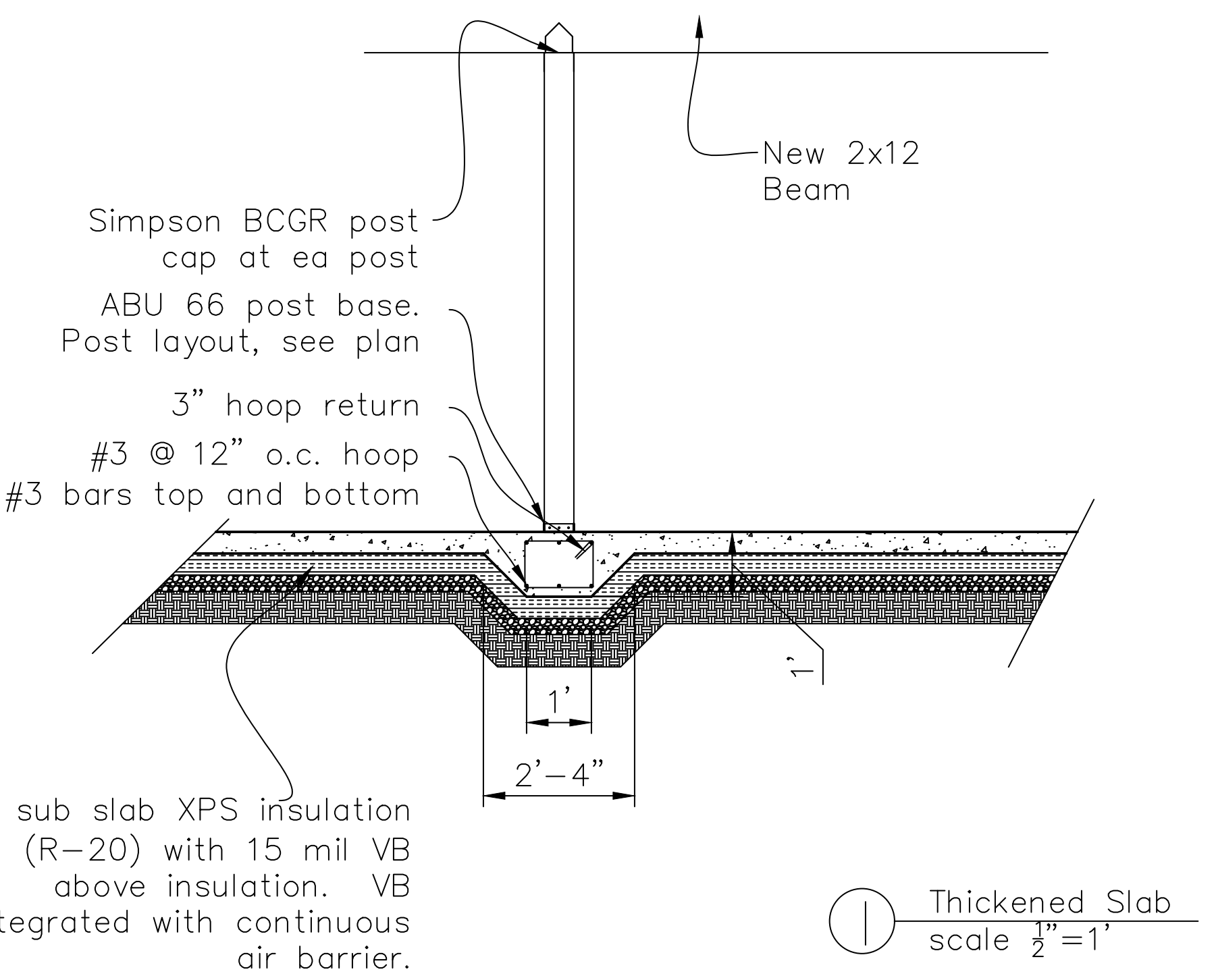
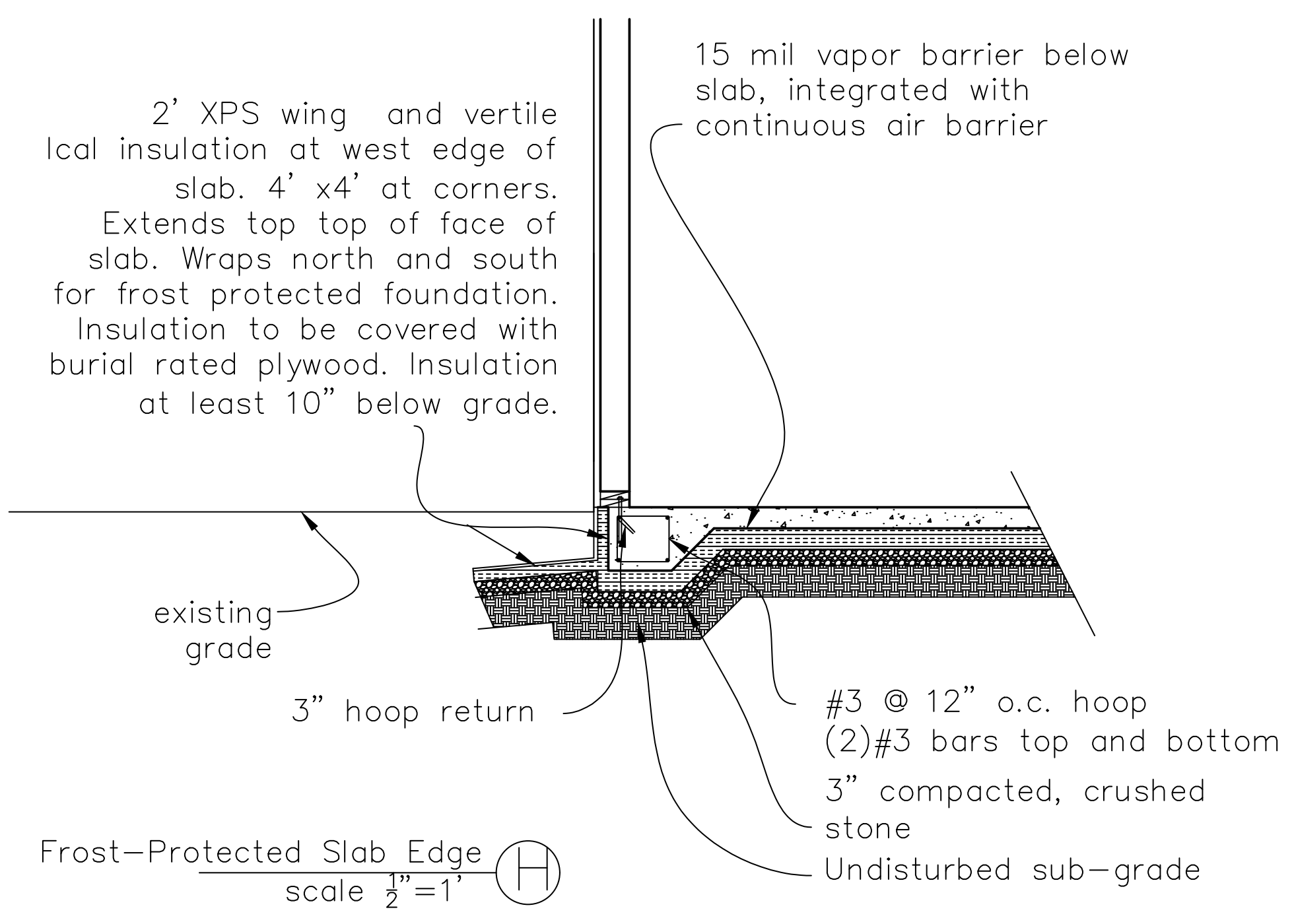


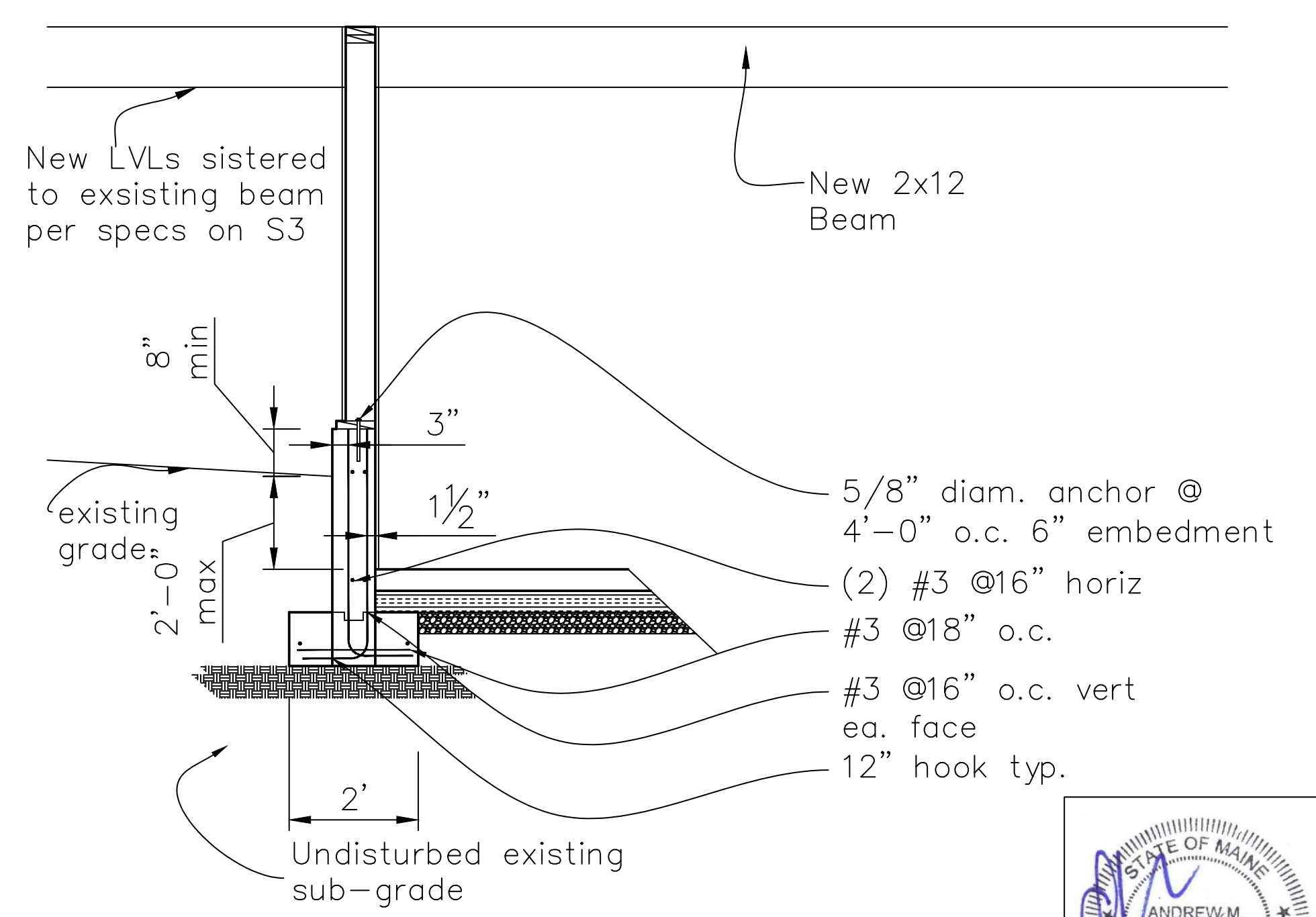
Shallow Strip Footing
scale 1/2"=1' (G)



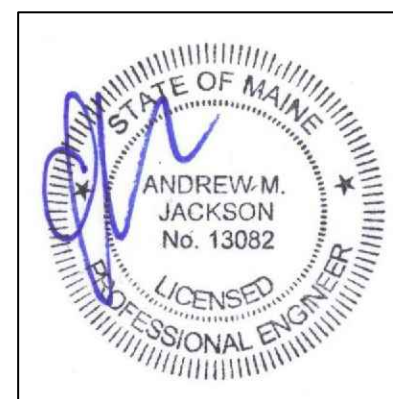
Thickened Slab
scale 1/2"=1' (I)



Frost-Protected Slab Edge
scale 1/2"=1' (H)



Interior Foundation Wall
scale 1/2"=1' (J)



Ten Pin LLC
9 Adams St
Peaks Island, ME 04108
207-653-1392
heather@tjwhome.com

DATE	REVISED	NOTES
		3-20-2017 HT

PROJECT
2 Island Ave.
Peaks Island, ME

S7

Details: G, H,
I and J