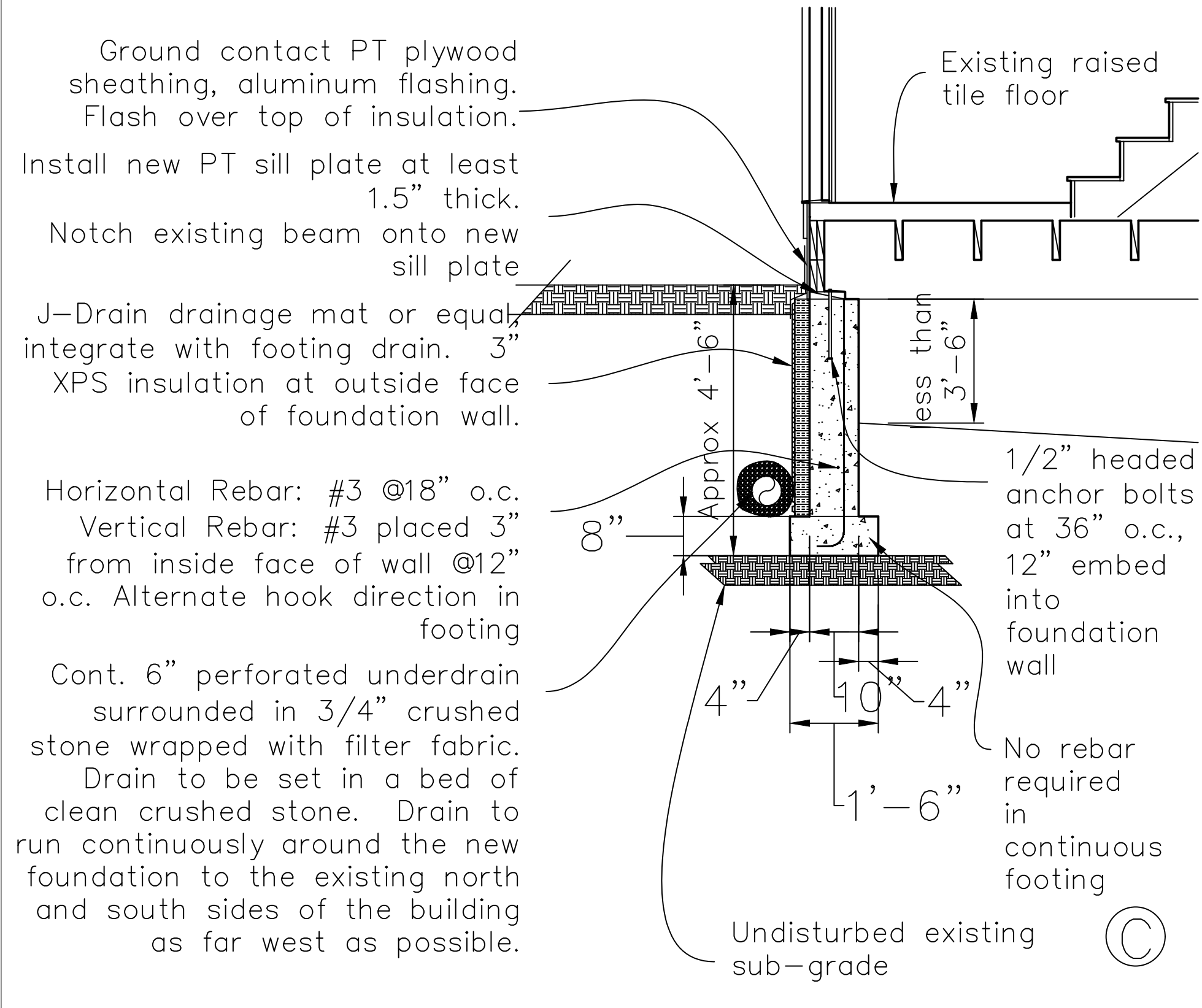
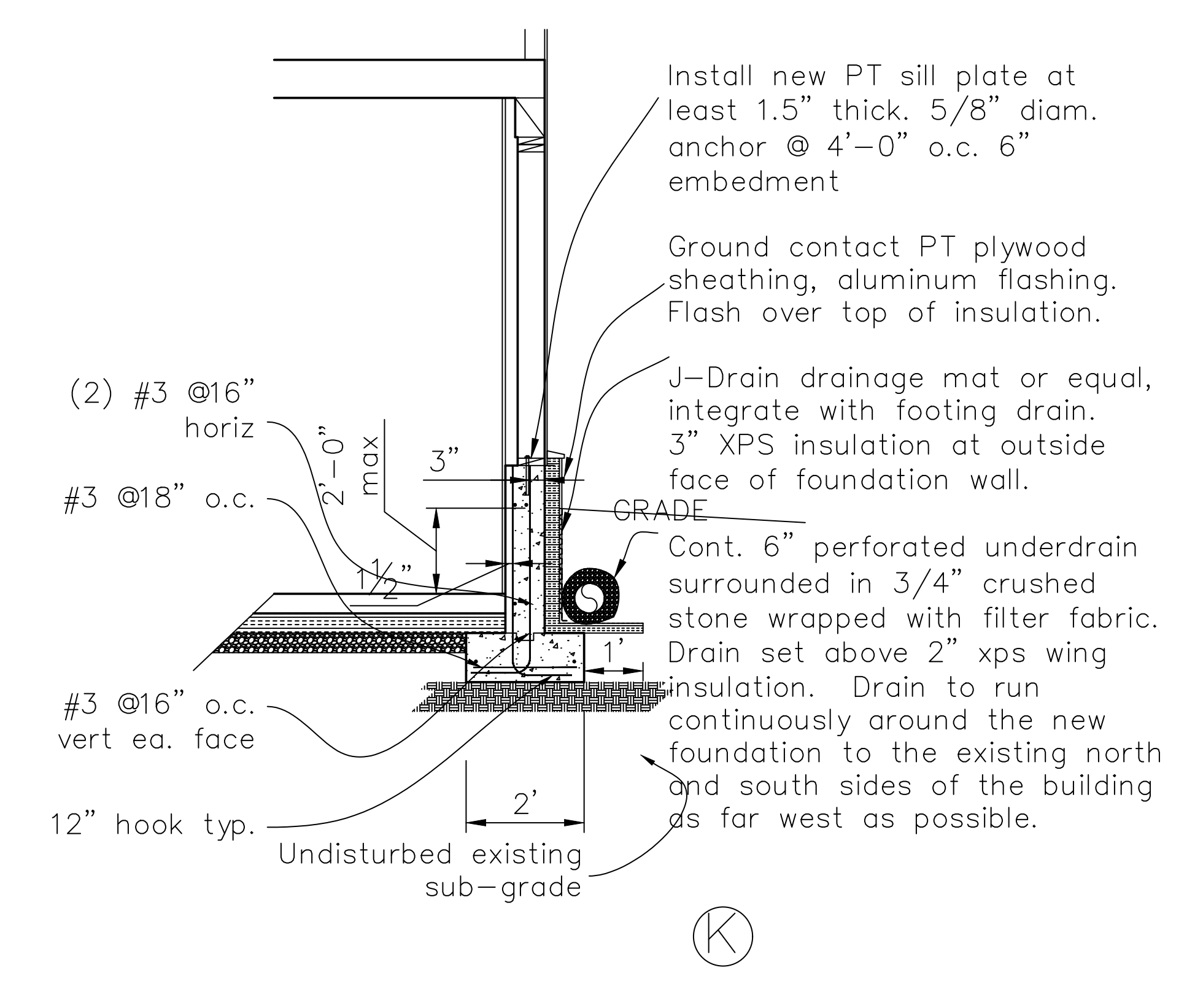


(D)



(C)



(K)

(C) East Foundation Cross Section
scale 1/2"=1"

(K) NW and SW Exterior Foundation Wall
scale 1/2"=1"

(D) East Foundation Wall Frost Protection
scale 1/2"=1"

Ten Pin LLC
9 Adams St
Peaks Island, ME 04108
207-653-1392
heather@tjwhome.com

DATE	REVISED	NOTES
		3-20-2017 HT

PROJECT
2 Island Ave.
Peaks Island, ME



S5
Foundation Walls