

DISPLAY THIS CARD ON PRINCIPAL FRONTAGE OF WORK
CITY OF PORTLAND

Please Read Application And Notes, If Any, Attached

BUILDING INSPECTION

PERMIT

Permit Number: 020912

This is to certify that Peaks Island Company Lic/Wasschenko Builders

has permission to Amendment to permit # 0206 for fire ext system

AT 33 Island Ave 084 L007001

provided that the person or persons, firm or corporation accepting this permit shall comply with all of the provisions of the Statutes of Maine and of the ordinances of the City of Portland regulating the construction, maintenance and use of buildings and structures, and of the application on file in this department.

Apply to Public Works for street line and grade if nature of work requires such information.

Notification of inspection must give and written permission procured before this building or part thereof is altered or closed-in. **HEAVY NOTICE IS REQUIRED.**

A certificate of occupancy must be procured by owner before this building or part thereof is occupied.

OTHER REQUIRED APPROVALS

Fire Dept. AMM

Health Dept. _____

Appeal Board _____

Other _____
Department Name

[Signature]
Director - Building Inspection Services

PENALTY FOR REMOVING THIS CARD

City of Portland, Maine - Building or Use Permit Application

389 Congress Street, 04101 Tel: (207) 874-8703, Fax: (207) 874-8716

Permit No: 02-0912	Issue Date:	CBL: 084 L007001
-----------------------	-------------	---------------------

Location of Construction: 33 Island Ave	Owner Name: Peaks Island Company Llc	Owner Address: 33 Island Ave	Phone: 207-766-2900
Business Name: n/a	Contractor Name: Weinschenk, Ric Builders	Contractor Address: 33 Island Avenue Portland	Phone: 2078283900
Lessee/Buyer's Name n/a	Phone:	Permit Type: Fire Suppression System	Zone: IB

Past Use: Restaurant / Lodging	Proposed Use: Restaurant / Lodging; Amendment to permit # 020615 for additional plans for fire vent systems	Permit Fee: \$380.00	Cost of Work: \$51,000.00	CEO District: 3
		FIRE DEPT: <input checked="" type="checkbox"/> Approved <input type="checkbox"/> Denied	INSPECTION: Use Group: NA Type: NA 12/17/02	

Proposed Project Description: Amendment to permit # 020615 for fire vent system.	Signature: <i>[Signature]</i>	Signature: <i>[Signature]</i>
PEDESTRIAN ACTIVITIES DISTRICT (P.A.D.)		
Action: <input type="checkbox"/> Approved <input type="checkbox"/> Approved w/Conditions <input type="checkbox"/> Denied		
Signature:		Date:

Permit Taken By: gg	Date Applied For: 08/12/2002	Zoning Approval
------------------------	---------------------------------	------------------------

<p>1. This permit application does not preclude the Applicant(s) from meeting applicable State and Federal Rules.</p> <p>2. Building permits do not include plumbing, septic or electrical work.</p> <p>3. Building permits are void if work is not started within six (6) months of the date of issuance. False information may invalidate a building permit and stop all work..</p>	<p>Special Zone or Reviews</p> <p><input type="checkbox"/> Shoreland</p> <p><input type="checkbox"/> Wetland</p> <p><input type="checkbox"/> Flood Zone</p> <p><input type="checkbox"/> Subdivision</p> <p><input type="checkbox"/> Site Plan</p> <p>Maj <input type="checkbox"/> Minor <input type="checkbox"/> MM <input type="checkbox"/></p> <p>Date: <i>[Signature]</i> 12/17/02</p>	<p>Zoning Appeal</p> <p><input type="checkbox"/> Variance</p> <p><input type="checkbox"/> Miscellaneous</p> <p><input type="checkbox"/> Conditional Use</p> <p><input type="checkbox"/> Interpretation</p> <p><input type="checkbox"/> Approved</p> <p><input type="checkbox"/> Denied</p> <p>Date:</p>	<p>Historic Preservation</p> <p><input checked="" type="checkbox"/> Not in District or Landmark</p> <p><input type="checkbox"/> Does Not Require Review</p> <p><input type="checkbox"/> Requires Review</p> <p><input type="checkbox"/> Approved</p> <p><input type="checkbox"/> Approved w/Conditions</p> <p><input type="checkbox"/> Denied</p> <p>Date: <i>[Signature]</i></p>
	Received		

CERTIFICATION

I hereby certify that I am the owner of record of the named property, or that the proposed work is authorized by the owner of record and that I have been authorized by the owner to make this application as his authorized agent and I agree to conform to all applicable laws of this jurisdiction. In addition, if a permit for work described in the application is issued, I certify that the code official's authorized representative shall have the authority to enter all areas covered by such permit at any reasonable hour to enforce the provision of the code(s) applicable to such permit.

SIGNATURE OF APPLICANT ADDRESS DATE PHONE

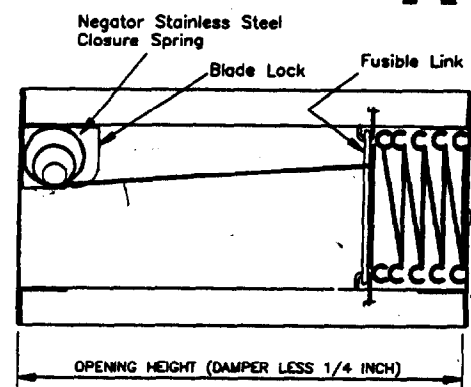
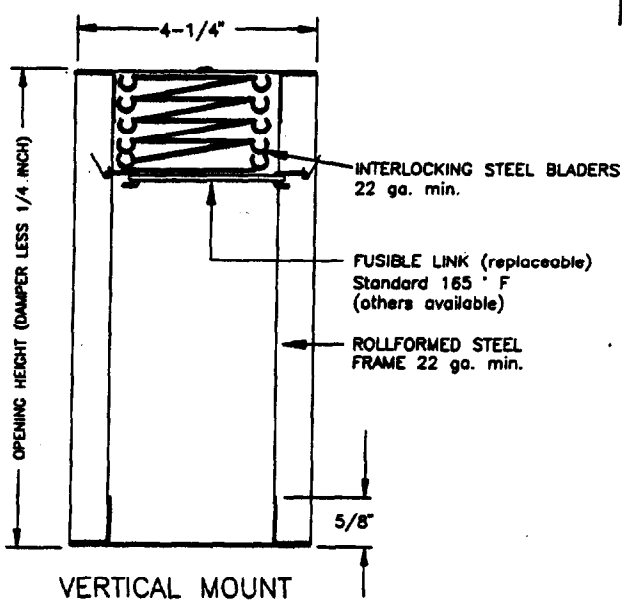
RESPONSIBLE PERSON IN CHARGE OF WORK, TITLE DATE PHONE

#1

PS #1

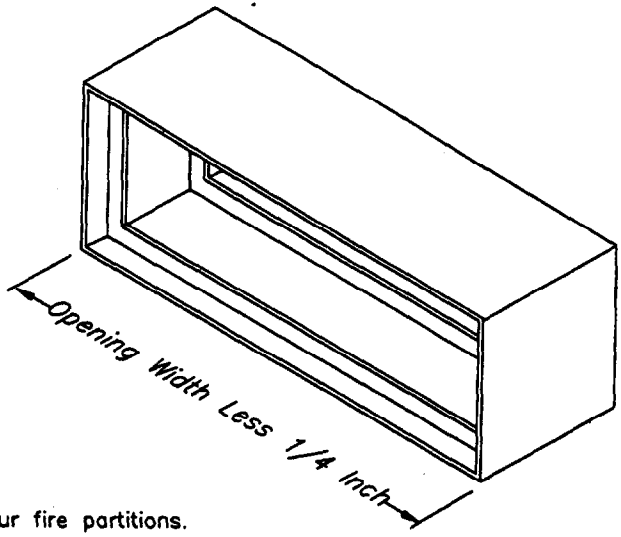
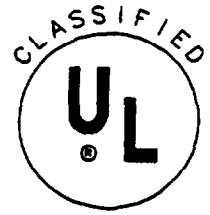
FIRE DAMPERS

Horizontal & Vertical type
Model 75A
U.L. Classified **A**



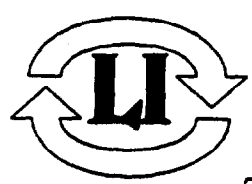
HORIZONTAL MOUNTING SHOWN. VERTICAL MOUNTING SAME AS
HORIZONTAL LESS STAINLESS STEEL NEGATOR SPRING AND BLADE LOCK

LOOK FOR THESE LABELS



Material Standard construction galvanized steel.
Underwriters Laboratories classified for use in 2-hour fire partitions.

SINGLE SECTION SIZE AVAILABILITY					JOB NAME: _____ LOCATION: _____ ARCHITECT: _____ ENGINEER: _____ CONTRACTOR: _____
	VERTICAL		HORIZONTAL		
	WIDTH X HEIGHT	WIDTH X HEIGHT	WIDTH X HEIGHT	WIDTH X HEIGHT	
MINIMUM	4"	4"	4"	4"	
MAXIMUM	60"	60"	60"	60"	



LLOYD INDUSTRIES INC.

262 VALLEY ROAD , WARRINGTON, PA. 18976 (215) 491-4934 FAX (215) 491-4968

FIRE DAMPERS

Horizontal & Vertical type
Model 75B
U.L. Classified **B**

VERTICAL MOUNT

HORIZONTAL MOUNT

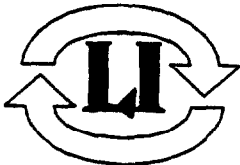
LOOK FOR THESE LABELS

Material Standard construction galvanized steel.
Underwriters Laboratories classified for use in 2-hour fire partitions.

SINGLE SECTION SIZE AVAILABILITY

	VERTICAL		HORIZONTAL	
	WIDTH	HEIGHT	WIDTH	HEIGHT
MINIMUM	4"	3"	4"	5"
MAXIMUM SECTION	60"	60"	60"	60"
MAXIMUM DUCT SIZE	120"	120"	60"	60"

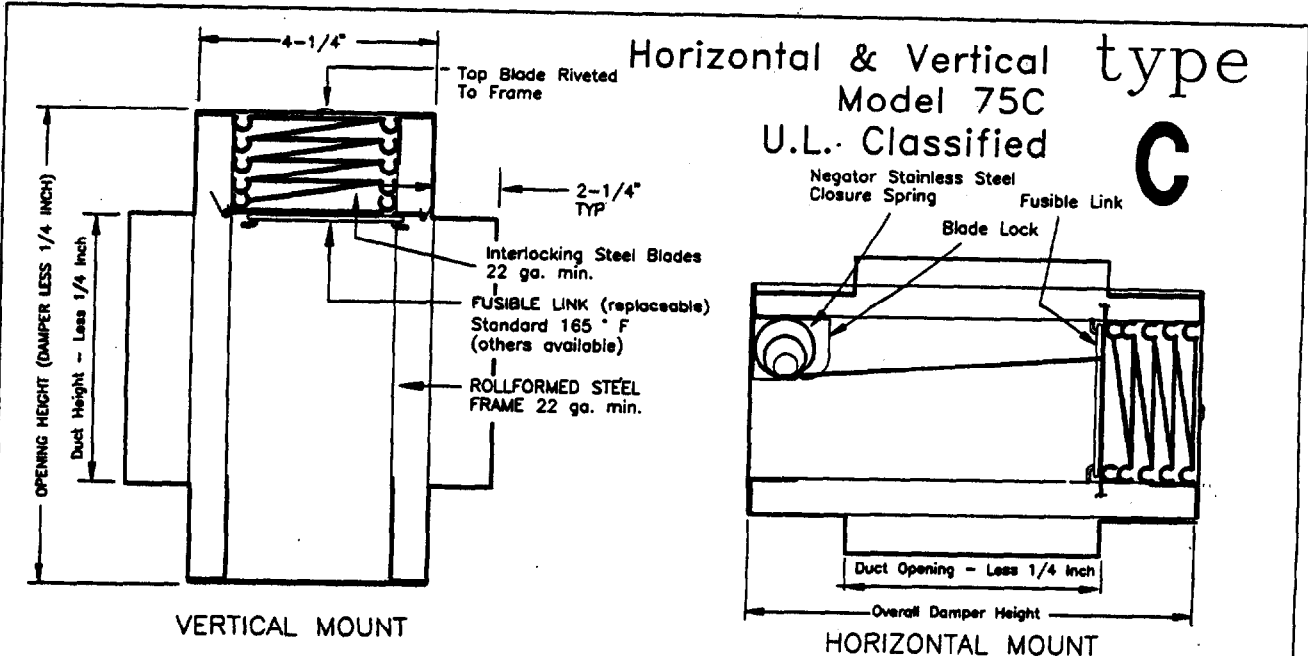
JOB NAME: _____
 LOCATION: _____
 ARCHITECT: _____
 ENGINEER: _____
 CONTRACTOR: _____



LLOYD INDUSTRIES INC.

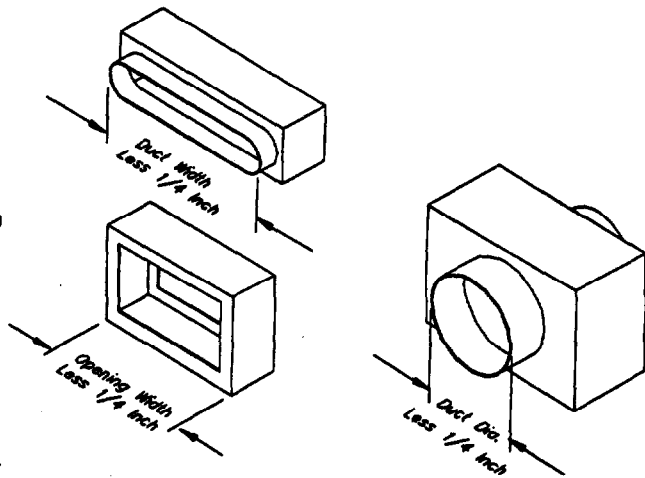
262 VALLEY ROAD , WARRINGTON, PA. 18976 (215) 491-4934 FAX (215) 491-4968

FIRE DAMPERS



LOOK FOR THESE LABELS

HORIZONTAL MOUNTING SHOWN. VERTICAL MOUNTING SAME AS HORIZONTAL LESS STAINLESS STEEL, NEGATOR SPRING AND BLADE LOCK



Material Standard construction galvanized steel.

Underwriters Laboratories classified for use in 2-hour fire partitions.

SINGLE SECTION SIZE AVAILABILITY					JOB NAME: _____
	VERTICAL WIDTH X HEIGHT		HORIZONTAL WIDTH X HEIGHT		
MAXIMUM SECTION	60"	60"	60"	60"	ARCHITECT: _____
MAXIMUM DUCT SIZE	120"	120"	60"	60"	ENGINEER: _____
MINIMUM Ø	3"Ø		3"Ø		CONTRACTOR: _____
MAXIMUM Ø	52"Ø		52"Ø		



LLOYD INDUSTRIES INC.

262 VALLEY ROAD , WARRINGTON, PA. 18976 (215) 491-4934 FAX (215) 491-4968

3M

#2

Fire Barrier Duct Wrap 15A

Commerical Kitchen Grease Duct Fire Protection System

Product Data and Installation Instructions

NFPA #96



NFPA 96
Compliance
1998 Edition

Complies with
**International
Mechanical Code**

Complies with
**Standard
Mechanical Code**

zero clearance

Don Parker
Lewisston
786-3456

General - in stock
Insulation (Mould)

1. Product Description

3M™ Fire Barrier Duct Wrap 15A is a fire resistant wrap consisting of a patented inorganic blanket encapsulated with a scrim-reinforced foil. It is used to fire rate commercial kitchen grease ducts and is a proven alternative to 1 or 2 hour fire resistant rated shaft enclosures. This non-asbestos wrap contains a safer fiber construction* and installs easily because of its high flexibility and strength. 3M Fire Barrier Duct Wrap 15A is the thinnest standard, single layer fire resistant wrap that has passed the UL1978 test which simulates a grease duct fire. With its excellent insulating capabilities, it is an ideal choice for tight spaces because it protects combustible constructions at zero clearance to the overlap or collar. 3M Fire Barrier 1000 N/S, 1003 S/L and 2000+ Silicone Sealants used in combination 3M Fire Barrier Duct Wrap 15A provide an effective firestop when the duct penetrates fire rated walls and floors.

Features

- Thinnest, standard one layer wrap for grease ducts rated as a shaft alternative per UL 1978
- Zero clearance to the overlap or collar for congested spaces
- High flexibility for installation ease
- Foil encapsulated with unique center overlap seam for blanket protection, less dust, and high wrap strength
- Safer fiber construction*

*Has been demonstrated to be soluble in the lungs according to EU guidelines 67/548/EWG, Note Q for bio persistence.

2. Applications

3M Fire Barrier Duct Wrap 15A is an ideal fire resistive enclosure for commercial kitchen grease ducts. It is a proven performance alternative to a 1 or 2 hour fire resistant rated shaft enclosures and provides zero clearance to combustible construction at overlap or collar. 3M Fire Barrier 1000 N/S, 1003 S/L or 2000+ Silicone Sealant is used in combination with 3M Fire Barrier Duct Wrap 15A to firestop the duct when the duct penetrates fire rated floors and walls.

3. Availability

Product	Unit	Size	Units/ ctn.	Wt./ ctn.
3M Fire Barrier Duct Wrap 15A	Roll	1.5 in. x 24 in. x 20 ft. (38mm x 60.9cm x 609 cm)	1	53 lbs. 24 kg
3M Fire Barrier Duct Wrap 15A	Roll	1.5 in. x 48 in. x 20 ft. (38mm x 121 cm x 609 cm)	1	106 lbs. 48 kg

4. Typical Physical Properties

Blanket Color: gray/green
Weight: 1.38 lbs./sq. ft. (6.73 kg/sq. m)

5. Performance

3M Fire Barrier Duct Wrap 15A has been tested in accordance with the following:

- ASTM C 411
- ASTM C 51
- ASTM E 84
- ASTM E 119
- ASTM E 136
- ASTM E 814
- UL 1978 (Sections 12 & 13)

Surface Burning Characteristics (ASTM E 84)

Foil Encapsulated Blanket:

Flame Spread: 0

Smoke Developed: 0

Blanket:

Flame Spread: 0

Smoke Developed: 0

Thermal Conductivity

Temperature °F (°C)	btu•in./(hr.°ft²•F)
500 (260)	0.417
1000 (537)	0.922
1500 (815)	1.69
1800 (982)	2.27

For technical data and properties of 3M Fire Barrier 1000 N/S, 1003 S/L and 2000+ Silicone Sealants see separate product data sheets available from your 3M representative

Grease Duct Listings

Fire Resistive Rating	Enclosure System	Omega Point Lab. Design Nos.	
		Duct System	Through-Penetration System
1 or 2 hours	1 layer of 3M Fire Barrier Duct Wrap 15A, 3 in. (76 mm) perimeter and longitudinal overlaps	GD 532 F	FS 557 W FS 558 F FS 559 W FS 560 F FS 561 F FS 562 W FS 563 W

Code Compliance

3M Fire Barrier Duct Wrap 15A complies with requirements of the following codes:

- NFPA 96, 1998 Edition
- Standard Mechanical Code
- International Mechanical Code
- Standard Building Code
- SBCCI Compliance Report 2132

This is only a partial list of code compliance. For the latest code and approval information go to www.3m.com/firestop or speak to your authorized 3M distributor or sales representative at (800) 328-1687.

6. Installation Techniques

3M Fire Barrier Duct Wrap 15A system should be installed in accordance with the following installation instructions.

Material and Equipment

- 3M Fire Barrier Duct Wrap 15A blanket, 1-1/2 in. (38 mm) thick, 24 in. (60 cm) or 48 in. (121 cm) wide, 20 ft. (609 cm) standard length. The 48 in. (121 cm) wide blanket helps to minimize waste.
- Aluminum foil tape.
- Minimum 3/4 in. (19 mm) wide filament tape.
- Carbon steel or stainless steel banding material, minimum 1/2 in. (12,7 mm) wide, minimum 0.015 in. (0,38 mm) thick, with steel banding clips.
- Hand banding tensioner, crimping tool, and banding cutter.
- Minimum 12 gauge copper-coated steel insulation pins; galvanized steel speed clips, minimum 1-1/2 in. (38 mm) square or 1-1/2 in. (38 mm) dia. round, or equivalent sized insulated cup-head pins; capacitor discharge stud gun.
- Access door hardware: four galvanized steel thread rods, 1/4 in. (6 mm) diameter by 4-1/2 in. to 5 in. long (114 mm to 127 mm) with 1/4 in. (6 mm) wing nuts and 1/4 in. (6 mm) washers; 4 in. (102 mm) long steel hollow tubing to fit threaded rods.
- Minimum 4.0 lb. (1,8 kg) density mineral wool or scrap pieces of 3M Fire Barrier Duct Wrap 15A blanket
- 3M Fire Barrier 1000 N/S, 1003 S/L or 2000+ Silicone Sealant.

Storage

The 3M Fire Barrier Duct Wrap 15A and 3M Fire Barrier 1000 N/S, 1003 S/L and 2000+ Silicone Sealants must be stored in a dry warehouse environment. Pallets should not be stacked.

Preparatory Work: 3M Fire Barrier Duct Wrap 15A is installed with common tools, such as knives, banders and capacitor discharge guns for applying insulation pins. In order to install the duct firestop system, the surfaces of all the openings and penetrating items need to be clean, dry, frost free and free of dust.

Method: To minimize waste, 3M Fire Barrier Duct Wrap 15A material should be rolled out tautly before measuring. General instructions for installing the 3M Fire Barrier Duct Wrap 15A include a one-layer wrap construction applied directly to the duct. The 3M Fire Barrier Duct Wrap 15A blanket is wrapped around the perimeter of the duct and is cut to a length to overlap itself not less than 3 in. (76 mm). The overlap made by adjacent blankets forms the "longitudinal" overlap. Aluminum foil tape is used to seal all cut edges of the blanket and any tears in the foil scrim.

There are three (3) approved installation techniques for installing the 3M Fire Barrier Duct Wrap 15A (See Figures 1A-1D and Figures 2A-2D):

1. Telescoping 3 in. (76 mm) Overlap Wrap

With the telescoping overlap wrap method, each blanket overlaps one adjacent blanket, and each blanket has one edge exposed and one edge covered by the next blanket as shown in Figure 1A and 1B. The visible edges of the perimeter overlaps all point in the same direction.

2. Checkerboard 3 in. (76 mm) Overlap Wrap

With the 3 in. (76 mm) checkerboard overlap wrap method, blankets with both edges exposed alternate with blankets with covered edges, as shown in Figure 1C. The visible edges of the perimeter overlaps alternate their directions and appear on every other blanket.

3. Butt Joint With Collar

With the butt joint and collar method, adjacent blankets are butted tightly together and 6 in. (152 mm) wide collar of 3M Fire Barrier Duct Wrap is centered over the joint, overlapping each blanket by 3 in. (76 mm) minimum as shown in Figure 1D.

In all three overlap techniques the perimeter overlap can occur at any location on the duct.

The blanket is mechanically attached to the duct by steel banding or by welded insulation pins and clips for all three installation methods listed above.

For Banding Only (See Figures 1A to 1D)

Filament tape can be used to temporarily hold the blanket in place until the banding is applied. The steel banding is applied around the duct 1-1/2 in. (38 mm) from each edge of the blanket, and maximum 10-1/2 in. (26,7 cm) centers. The banding is placed around the material and tightened so as to sufficiently hold the 3M Fire Barrier Duct Wrap 15A in place against the duct, compressing the foil but not cutting the foil.

Additional Pinning to Prevent Sagging of the Wrap:

For Ducts 24 in. (60 cm) and larger in width, additional pins are needed to support the blanket on the bottom horizontal surface and on the outside face of a vertical duct run. Space pins a maximum of 10-1/2 in. (26,7 cm) apart in the direction of the blanket width, and a maximum of 12 in. (30 cm) apart in the direction of the blanket length. Refer to paragraph below for more information on Mechanical Fastening with Pins.

For Mechanical Fastening with Pins Only (See Figure 2A to 2D)

Insulation pins are welded to the duct in the centers of the overlaps a minimum of 1-1/2 in. (38 mm) from each edge of the blanket, and spaced a maximum of 10-1/2 in. (26,7 cm) on center along perimeter overlap, and a maximum of 10-1/2 in. (26,7 mm) on center along longitudinal overlaps. The blanket is

impaled over the pins and held in place by galvanized speed clips. Insulation pins that extend beyond the blanket wrap shall be turned down to eliminate sharp points. Insulated cup-head pins can be used at the same spacing requirements of the insulation pins.

NOTE: Support hangar systems do not need to be wrapped provided the hangar rods are at least a minimum of 3/8 in. (9,53 mm) diameter and spaced a maximum of 60 in. (152 cm) on center along the length of the duct. Use a minimum 2 in. x 2 in. x 1/4 in. (50 mm x 50 mm x 6,35 mm) steel angle steel support channel or SMACNA equivalent support system.

Access Door Installation (See Figure 3)

Four galvanized steel threaded rods, 1/4 in. diameter (6,35 mm) by 4-1/2 in. to 5 in. long (114 mm to 127 mm) are welded to the duct at the corners of the door opening. Four steel tubes, each 3 in. (76 mm) long, are placed over the rods to act as protection for the 3M Fire Barrier Duct Wrap 15A when fastening the door. Four insulation pins are welded to the door panel for installation of the blanket. One layer of 3M Fire Barrier Duct Wrap 15A is cut approximately the same size as the access panel and impaled over the insulation pins on the panel. *It is essential that this layer fit tightly against the wrap surrounding the access door opening with no through openings.* A second layer of 3M Fire Barrier Duct Wrap 15A is cut so as to overlap the first layer by a minimum of 1 in. (25,4 mm). The second layer is impaled over the pins and both layers are locked in place with galvanized speed clips. Pins that extend beyond the outer layer of 3M Fire Barrier Duct Wrap 15A shall be turned down to avoid sharp points on the door.

The insulated door panel is placed over the threaded rods and held in place with washers and wing nuts. The details are shown in Figure 3.

Penetrations (See Figures 4A to 4D)

When the duct penetrates a fire rated wall, ceiling or floor, an approved firestop system must be employed. Figures 4A to 4D illustrate typical conditions.

To firestop the wrapped duct, follow the installation parameters detailed in the following Omega Point Laboratories, Inc. systems:
FS 557 W, FS 558 F, FS 559 W, FS 560 F, FS 561 F, FS 562 W, FS 563 W.

Other Applications

Refer to Figures 5, 6, 7, 8 and 9 for additional typical conditions.

7. Maintenance

No maintenance is required when installed in accordance with the 3M Installation Instructions. Once installed, if any section of the 3M Fire Barrier Duct Wrap 15A is damaged so that the blanket is damaged, the following procedures will apply:

- The damaged section should be removed by cutting the steel banding or removing the clips holding it in place.
- A new section of the same dimension should be cut from a roll of 3M Fire Barrier Duct Wrap 15A, either 24 in. (60,9 cm) or 48 in. (121 cm) wide.
- The new section should be placed and fitted ensuring the same overlap that existed previously.
- The steel banding should be placed around the material and tensioned so as to sufficiently hold the 3M Fire Barrier Duct Wrap 15A in place.
- If the blanket has not been damaged but the foil has ripped, seal the rips with aluminum foil tape.

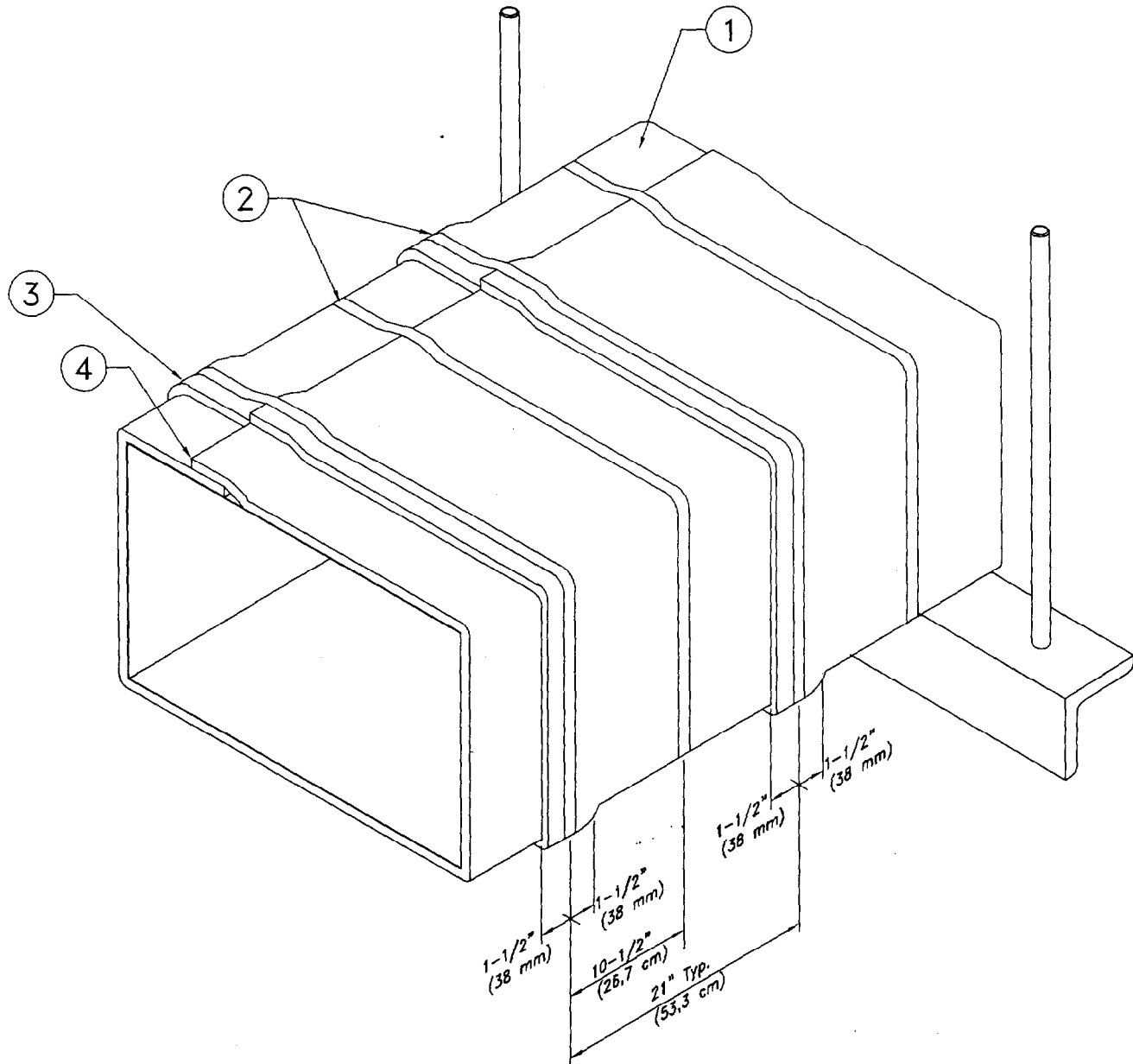
8. Purchase Information

3M Fire Barrier products are available through a network of nationwide distributors. For information on where to buy, go to www.3m.com/firestop.

9. Safe Handling Information

Consult Material Safety Data Sheet prior to handling and disposing of 3M Fire Barrier Duct Wrap 15A.

Figure 1A
3M Fire Barrier Duct Wrap 15A
Commercial Kitchen Grease Duct Systems
1 or 2 Hour Shaft Alternative Zero Clearance to Combustibles
Telescoping Wrap Technique With Banding For Ducts 24 inches (60,9 cm) or Less



1.	One Layer 3M Fire Barrier Duct Wrap 15A
2.	Steel Banding 1/2 in. (13 mm) Wide Min. Typical
3.	3 in. (76 mm) Min. Longitudinal Overlap
4.	3 in. (76 mm) Min. Perimeter Overlap

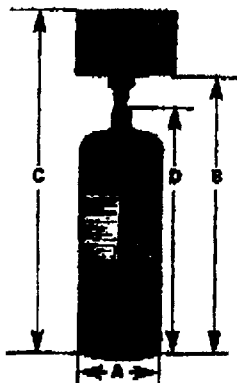
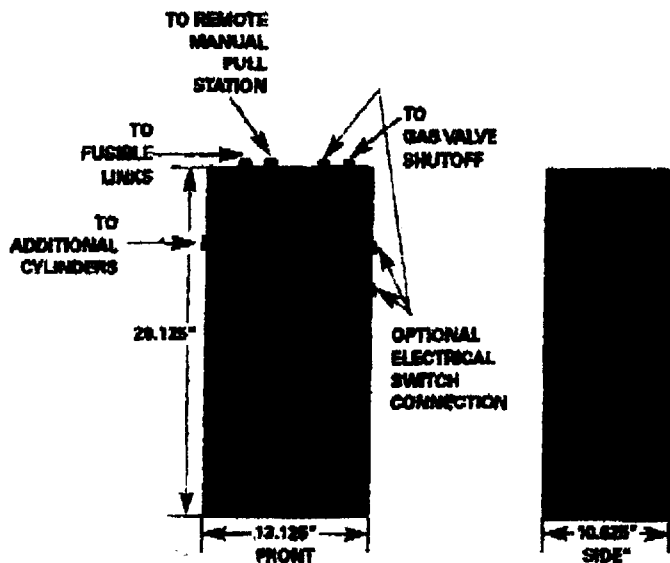
System integrity is limited by quality of installation.



Engineer and Architect Specifications



- Features**
- UL and ULC Approved
 - Complies with NFPA Standard 17A and 96
 - Meets the requirements of the Building Officials and Code Administrators
 - Approved by the City of New York Material and Equipment Acceptance Division.



Model No.	A	B	C	D	FLOW POINT CAPACITY	WEIGHT	MOUNTING BRACKET USED
L3000	8.00	25.08	30.81	22.75	10	83 lbs.	MB15
L4800	10.00	25.08	30.81	22.75	15	83 lbs.	MB16
L6000	10.00	36.81	41.56	33.50	20	108 lbs.	MB1

All dimensions are in inches

General

THE PROTEx SERIES II Restaurant Kitchen Fire Suppression System is a pre-engineered solution to appliance and ventilating hood and duct grease fires. The system is designed to maximize hazard protection, reliability, and installation efficiency. Automatic or manual system activation releases a throttle discharge of potassium carbonate solution on the protected area in the form of fine droplets to suppress the fire and help prevent reignition after the discharge is complete.

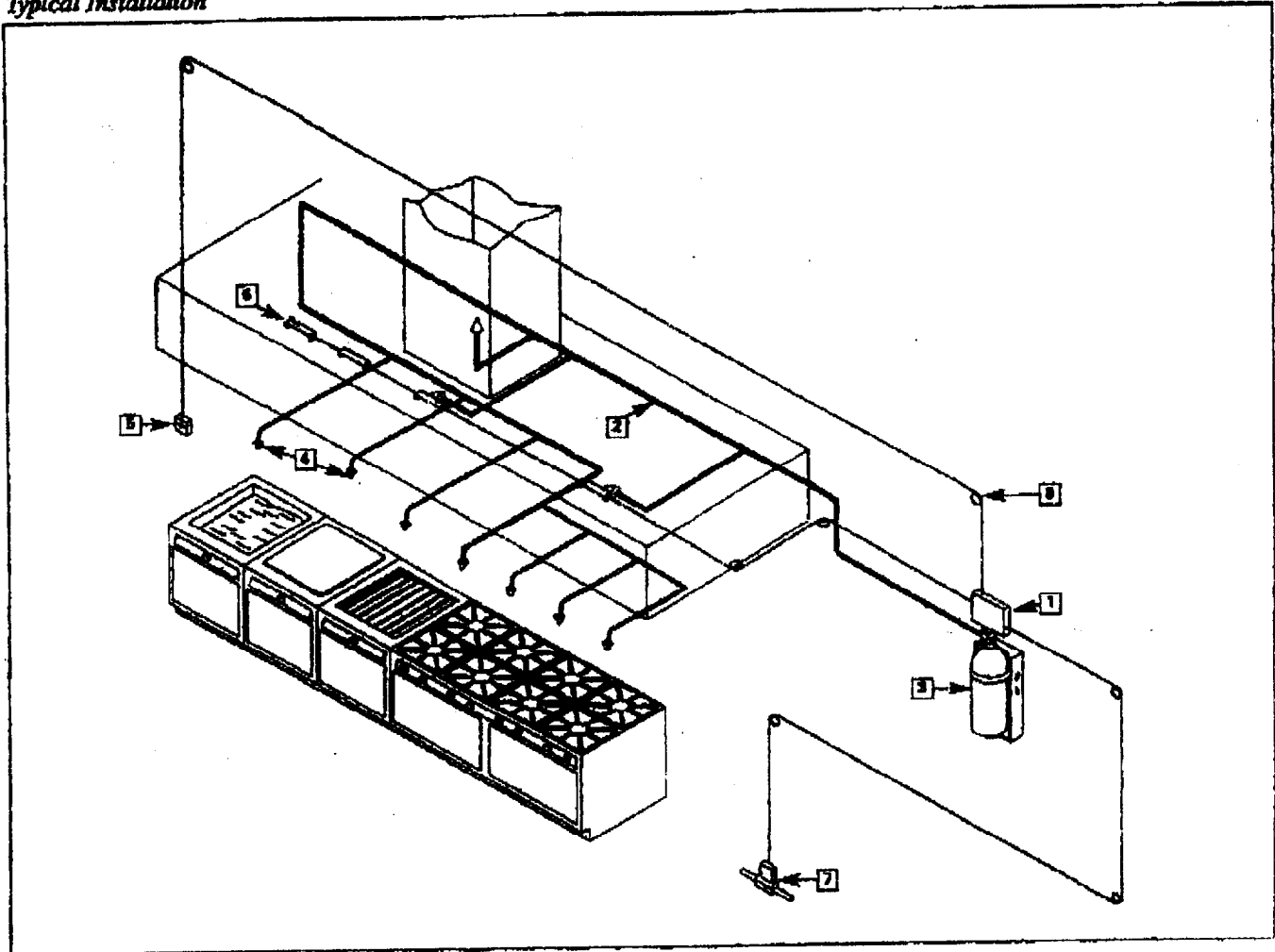
System Operation

THE PROTEx SERIES II Restaurant Kitchen Fire Suppression System has been designed for protecting kitchen hood, plenum, exhaust duct, grease filters, and cooking appliances (such as fryers, griddles, rangitops, upright broilers, charbroilers and woks) from grease fires. The versatile state-of-the-art wet chemical distribution technique, combined with dual, independent activation capability — automatic fusible link or manual release — provides efficient, reliable protection the moment a fire is detected. Once initiated, the pressurized wet chemical extinguishing agent cylinder discharges a potassium carbonate solution through a pre-engineered piping network and out the discharge nozzles. The wet chemical discharge pattern is maintained for a duration of time to ensure suppression and inhibit reignition. Expanded capability provides remote manual actuation, gas equipment shutdown, and electrical system shutdown. This optional equipment will enhance the basic system functions and be applicable when designing custom configurations to suit a particular customer's needs and/or comply with local codes.

Suggested Architect's Specifications

The fire suppression system should be of the stored pressure, wet chemical pre-engineered fixed nozzle type manufactured by Protex. A carbon dioxide cartridge is designed in compliance with Military Specification "MIL-C-601," and shall be used as the pneumatic releasing device for the system. The cartridge shall be an integral part of the control head assembly. The wet chemical storage cylinder shall be rated for stored pressure of 225 psig, and a pressure gauge shall be provided on the cylinder valve for visual inspection. The system shall be capable of automatic and manual actuation. Automatic actuation shall be provided by an appropriate number of fuse link detectors mounted in series on a stainless steel wire input line to the control head. Manual actuation shall be provided by turning a handle on the primary head and/or by an optional remote pull station with a dedicated stainless steel input line to the control head.

The system shall have been tested to the UL Standard for Fire Extinguishing Systems for Protection of Restaurant Cooking Area, UL 300, and Listed by Underwriters Laboratories, Inc. It shall be installed in accordance with the National Fire Protection Association Standard No. 17A Wet Chemical Extinguisher Systems, and No. 96 Standard for the Installation of Equipment for the Removal of Smoke and Grease Laden Vapors from Commercial Cooking Equipment, and comply with all local and/or state codes and standards.

Typical Installation

1. **CYLINDER CONTROL UNIT**—Integral design requires no separate release pressure cylinder; separate wire cable activation lines for automatic fusible link and optional remote pull station provide an added measure of safety; an easily accessible manual release mechanism which provides an option to the automatic fusible link and, depending on local codes, can be used in place of a remote manual pull station; unique fool proof technique for achieving necessary input wire cable tension.

2. **PIPING**—Unbalanced piping network simplifies application design and installation; no separate piping to connect system pressure cylinders to extinguishing agent container. Schedule 40 stainless, chrome-plated and black pipe can be used.

3. **CYLINDERS (DOT-4B-225 RATED)**—Contain Protec Potassium Carbonate Solution stored at 225 psig; pressure gauge for visual maintenance checks; 3.0, 4.6, and 6.0 gallon sizes provide 10, 15, and 20 flow point coverage respectively, offering a broad range of application coverage.

4. **NOZZLES**—Fixed and Swivel head nozzles have been established to relax placement tolerances.

5. **REMOTE MANUAL PULL STATION**—Simple operating instructions with a double action release avoids careless system discharge; a 150' wire cable run with 1/8 inch cable and 40 corner pulleys maximum; a dedicated wire cable input line to the cylinder control head provides a true back-up in the event fusible links are fouled.

6. **FUSIBLE LINK KITS**—Accommodates both series and terminal placement to minimize inventory and simplify ordering; all necessary components included for efficient assembly and installation; a 350° F fusible link standard; other temperatures available; 20 fusible links on a 150' wire cable run with 40 corner pulleys maximum provides substantial hazard coverage.

7. **AUTOMATIC GAS SHUT-OFF VALVE**—Complies with requirements pertaining to the shut-off of fuel as described by NFPA 17A; after regular maintenance/service check can be reset at control head for convenience of service technician; a 100' wire cable run with 30 corner pulleys maximum provides mounting flexibility.

8. **CORNER PULLEYS AND ACCESSORIES**—Designed to ensure reliable system function, as tested by Underwriters Laboratories.



FAX COMMUNICATION

FROM

SELKIRK METALBESTOS R & D**PLEASE CALL IF ALL PAGES NOT RECEIVED**

TO: Dick, Sondik

DATE: 06/19/02

TOTAL # PAGES: 6

FAX #: 207-871-0921

HARDCOPY TO FOLLOW: NO

FROM: Karen Marchand, Technical Sales Specialist

PHONE: 800-848-2149 X 212 FAX: 614-385-2483

SUBJECT: SPECIFICATION FOR MODEL SS-II CHIMNEY

Dick -

As I mentioned in our conversation I am unable to locate a sample "Specification" for the Model SS-II Chimney system. Even though such requests do come up, they do not come up very often. For the absence of the same, I might suggest the following as a possible candidate. Also, I am including a copy of the front pages of the Model SS-II Chimney Systems Catalog.

Regarding "approval" of the subject, this product is Listed (Safety Certified) by Underwriters Laboratories, Inc. (UL) per the UL103 "Standard for Chimneys, Factory-Built, Residential Type and Building Heating Appliance".

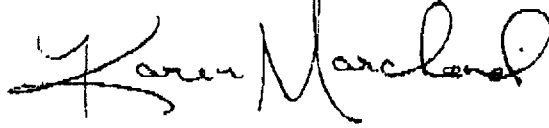
GENERAL SPECIFICATIONS**FOR THE SELKIRK METALBESTOS MODEL SS-II CHIMNEY**

1. UL LISTED AS A "RESIDENTIAL TYPE AND BUILDING HEATING APPLIANCE CHIMNEY" PER THE STANDARD FOR FACTORY-BUILT CHIMNEYS, UL 103.
2. ALL-STAINLESS STEEL CONSTRUCTION WITH INNER LINER AND OUTER WALL OF 0.015" AND 0.012" THICK MINIMUM (RESPECTIVELY) TYPE 430 STAINLESS STEEL.
3. FABRICATED WITH MALE / FEMALE, LANCED COUPLING DEVICES OF 0.015" MINIMUM THICK TYPE 430 STAINLESS STEEL.
4. FABRICATED WITH 1" OF SPECIAL "Low K " INSULATION BETWEEN WALLS.
5. CERTIFIED FOR INSTALLATION WITH 2" MINIMUM AIRSPACE CLEARANCE TO COMBUSTIBLES.
6. FABRICATED WITH ALL ALUMINUM ACCESSORY FLASHINGS AND STORM COLLARS.
7. FABRICATED AND SUPPLIED WITH SUPPLEMENTAL STAINLESS STEEL LOCKING BANDS FOR EACH SECTION OF CHIMNEY.
8. SELKIRK METALBESTOS MODEL SSII.

UNDERWRITERS LABORATORIES, INC. (UL) has a safety certification database on their web site, accessible via the Internet. This database has been developed and is maintained by UL and is a very useful and convenient means of accessing / verifying current information. Concerning UL's Listing for various products. The address is:
<http://www.ul.com/database/index.htm>.

It may also be useful to visit the SELKIRK METALBESTOS web site at www.selkirking.com. Our entire line of product catalogs can be accessed from this site.

Again, we appreciate your interest in specifying our product and hope these comments are of assistance. Feel free to contact me with further questions or if additional information is needed.



A METALBESTOS® Chimney Systems

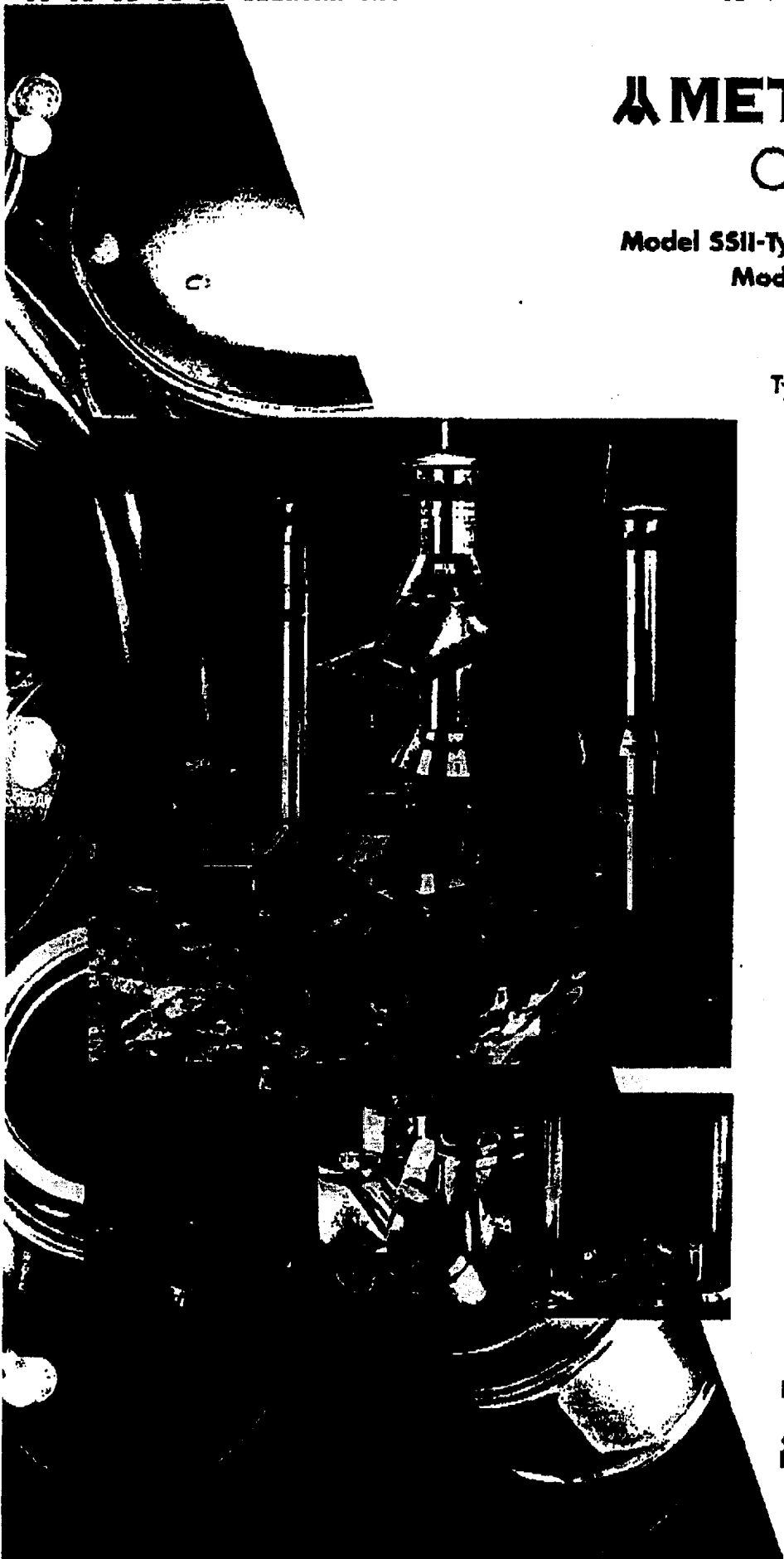
Model SSII-Type HT — Tested up to 2100°F

Model SSII — Tested up to 1700°F

DS Smoke Pipe

SG Plus Chimney

Type "L" Vent for Pellet Stoves



Rugged all fuel chimneys that make every installation simple and fast, providing superior performance.



- Heavy Duty Construction
- Reduced Clearance to Combustibles
- Easier to Install
- Meets All UL® Requirements



Simply the **BEST**

METALBESTOS
A SELKIRK
AIRMATE

TABLE OF CONTENTS

	PAGE
SSII/SII-TYPE-HT	
Overview	3-5
SSII/SII-TYPE-HT	
Chimney Parts Guide	6-13
Flashing for Various Roof Pitches	14
Chimney Selection Charts	15
Common Chimney Installations	16-18
SG PLUS	19
DS SMOKE PIPE	20
VP	21
Parts Dimensions	22
Common Model VP Installations	23

CONDITION OF SALE

Guarantee

All venting products in this catalog are guaranteed to be free from defects in workmanship and material. Any products found defective may be returned at no charge (authorization required). All Selkirk, Inc. products may be combined to achieve required discount levels.

Prices and Discounts

See our price list and discount sheet for current pricing information. Orders will be invoiced at prices in effect at the time the order is placed. All prices subject to change without notice.

Credit

Shipments will be made on open account to those firms with established credit ratings with us.

Responsibility

Selkirk, Inc. cannot assume responsibility for loss or damages to products in transit or for delays of carriers delivering our products. In case of loss, visible or concealed damage, you as a consignee must report such loss to carrier at once and file a claim.

Returned Goods

No merchandise may be returned for credit without prior written permission, shipping instructions and return authorization number. All items authorized for return must be in new and resalable condition and transportation charges must be prepaid. A 25% restocking charge will be made on all returns to cover the costs of handling and inspection. Up to a 15% refurbishment charge will be applied as needed.

Broken Cartons

All broken carton quantities will be priced at a .50 discount multiplier.

Transportation

Method of transportation and shipping point will be decided by Selkirk, Inc. If our customer requests special routing, the order will be shipped and prepaid. The difference between the two rates will be charged back.

METALBESTOS®

SSII Chimney –
The rugged all fuel
chimney that makes
every installation simple,
fast and produces superior
performance.

Metalbestos® Chimney Systems Meet All UL® Requirements

This catalog includes both the Model SSII-Type HT (5", 6", 7" & 8" size) and Model SSII (10", 12" & 14" size) chimneys.

Model SSII-Type HT has been tested to 2100°F. This is the high temperature test option of Underwriters' Laboratories Safety Standard for Factory-Built Chimneys, UL®-103. The Model SSII Chimney sizes, 5, 6, 7 and 8 inch, is not only UL® Listed as a "Type HT Chimney", but these sizes have passed additional exhaustive and stringent laboratory tests called for in UL®-103.

Model SSII sizes 10, 12 and 14 inch have been tested to UL®-103 maximum temperature of 1700°F and also comply with all UL®-103 Sixth Edition requirements. Installation and maintenance instructions for Model SSII Chimneys provide installers and users with detailed and accurate information on important aspects of operating safety and performance.

Model SSII-Type HT —

Designed Specifically for "Airtight" Stoves

The Model SSII-Type HT Chimney, sizes 5", 6", 7" & 8" is ideal for venting residential heating appliances burning natural and LP gas, #2 oil, and wood. It has been specifically designed for today's modern, high-efficiency "airtight" wood stoves, or as they are termed: solid fuel wood burning fireplaces. It is also suitable for wood burning heaters and for combination fuel central heating furnaces.

Type HT Temperature Tests

The Model SSII-Type HT Chimney is intended for maximum continuous operation at 1000°F flue gas temperature at two inches air space clearance to enclosing combustible test structure. The chimney is also tested at 1400°F for a one hour period. The important Type HT tests consist of three firings at 1000°F, long enough to obtain steady conditions, each followed immediately by 10 minutes at 2100°F. These tests were developed to assess a chimney's ability to prevent product damage or structural hazard during brief periods of excessive chimney temperature.

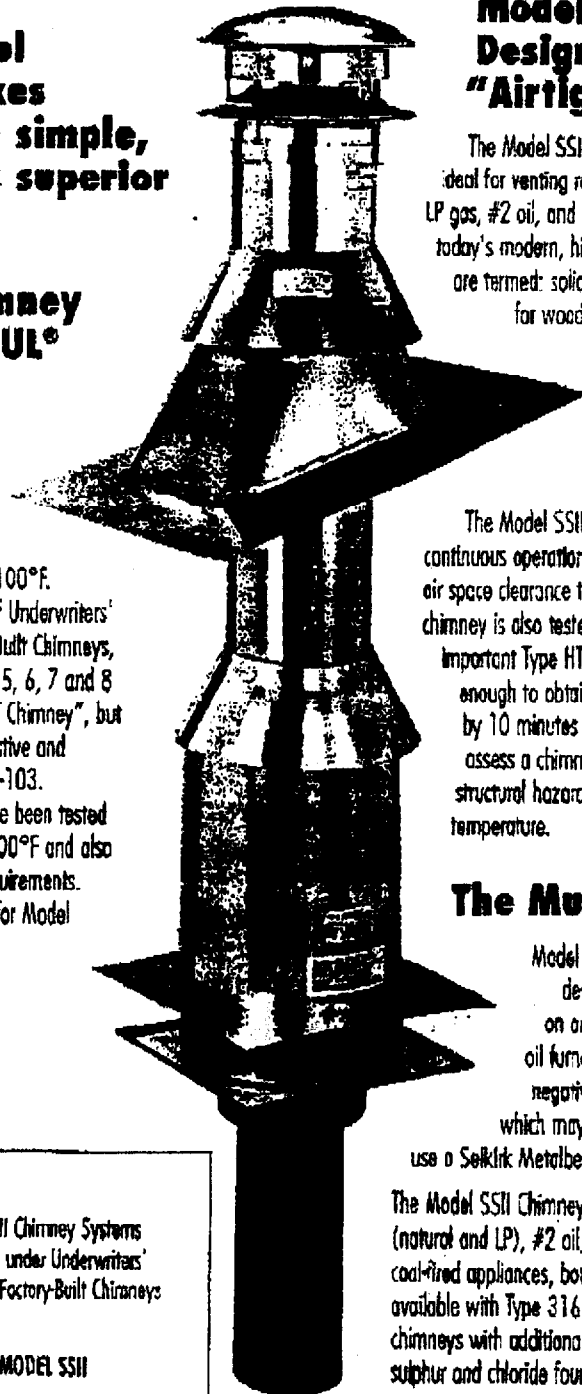
The Multi-Fuel Chimney

Model SSII and Model SSII-Type HT Chimneys are designed for gravity venting only. They are usable on any appliance having a power burner (such as an oil furnace) if that appliance operates with neutral or negative draft at its outlet. Non-residential appliances which may cause positive pressure in the chimney should use a Selkirk Metalbestos® Model PS or IPS commercial system.

The Model SSII Chimney sizes 10", 12", 14" are ideal for venting gas (natural and LP), #2 oil, and open front wood burning appliances. For coal-fired appliances, both the Model SSII-Type HT and Model SSII are available with Type 316 Stainless Steel. Appliances burning coal require chimneys with additional resistance to corrosion to cope with the sulphur and chloride found in many coals.

Model SSII Temperature Tests

The Model SSII Chimney in 10", 12" and 14" sizes is also intended for normal continuous use at not over 1000°F. The laboratory tests for these larger sizes involve a total of four ten-minute firings at 1700°F.



UL IMPORTANT

This catalog references Model SSII Chimney Systems with maximum test temperatures under Underwriters' Laboratories Safety Standard for Factory-Built Chimneys (UL®-103).

	MODEL SSII-TYPE HT	MODEL SSII
Chimney Sizes:	5", 6", 7" & 8"	10", 12" & 14"
Part Identification:	Letter "T"	Letter "S"
Clearances:	2" of Airspace to Combustibles	2" of Airspace to Combustibles
Temperature Ratings:	2100°F (Maximum Test 10 min.) 1400°F (Maximum for 60 min.)	1700°F (Maximum Test 10 min.) 1000°F (Maximum Continuous Operating Temperature)

Unparalleled Engineering and Design

Heavy Duty 430 grade Stainless Steels are used for all system components. The smooth stainless steel inner liner produces rapid stabilization of strong draft and heats fast to minimize condensation as waste gases are exhausted. The outer casing carries structural loads leaving the inner pipe free to expand without stress. The solid pack Low-K Insulation in the pipe assures the highest possible liner wall temperature by preventing circulation of air between inner and outer chimney walls. Solid pack insulation blocks escape of heated air, a problem which air-insulated designs cannot avoid.

Insulation Factors

Special Low-K Insulation filling the space between stainless steel walls is only 1 inch thick, yet it provides 17 times the insulating value of brick.

This optimum density of insulation stops expansion noises and resists and contains surges of heat. This allows the system to be enclosed with only 2 inch clearance to combustibles. The insulation used contains no asbestos. Its a special blend of materials that are thoroughly tested to meet our own strict standards. The "solid pack" density chimney pipe insulation comprises about 85% air. The mixture of extremely fine particles of powder with fibers traps this air in the pores of the insulation and also blocks radiation heat transfer. This accounts for the outstanding effectiveness of fully insulated Metalbestos® chimneys.

Variety of Sizes

The Model SSII-Type HT is made in four diameter sizes: 5, 6, 7 and 8 inches.

Model SSII Chimneys are made in 10, 12 and 14 inch sizes.

Standard lengths for both models are 18 and 36 inches.

however, short lengths are available for tight corners in special situations. A table is provided, both in this catalog and packaged together with pipe lengths, to show how desired chimney heights can be reached by intermixing 18 and 36 inch lengths. Elbow and tee fittings are also offered to solve problems of offsets and wall penetrations where the roof opening does not line up with the vertical chimney, or the chimney must be on the other side of a wall.

Installation Ease

A Model SSII-Type HT or Model SSII Chimney system can easily be installed by one man. The lightweight pipe with threaded internal couplers locks together in seconds with a ¼ turn. Locking bands are furnished with every pipe length to assure complete joint security during cleaning or where the chimney must be sloped between offsets. Only a screwdriver is needed—to tighten the Locking Band—for normal pipe assembly. A further advantage is that the pipe can be quickly taken apart without damage to the joints and can be reinstalled as easily as the first time. All parts and accessories have been designed for the most simple step-by-step installation. General installation instructions are furnished with all major support packages.

A System to Satisfy Any Installation Requirement

The Metalbestos® Chimney systems include a variety of components to meet every installation requirement. These components may be combined in a wide variety of ways to solve almost any chimney installation problem. For additional information on part selection, refer to the guide pages and diagrams located in this catalog.



The Peaks Island Company LLC

33 Island Avenue
Peaks Island, Me 04108
Telephone: 207-766-2900 Fax: 207-766-2999

Michael Nugent
City of Portland
Manager, Building Inspections
389 Congress St.
Portland, Me. 04101

June 21, 2002

Dear Mike,

Please find enclosed plans, submittals, and explanations in response to your memorandum of 5/31/02 for additional info for our HVAC permit application at 33 Island Ave., Peaks Island. The following numbers correspond to the items on your memo.

1. Fire dampers by Lloyd Industries shall be installed in ducts of the following areas:
 - 1.kitchen hood exhaust duct- model 75 A/B
 - 2.kitchen ventilation duct- model #75 A/B
 - 3.vestibule restroom duct- model #75CSpec sheets enclosed.
2. Product information, data, and code compliance information is provided in cut sheets for the 3M Duct Wrap for zero clearance to combustibles.
- 3.Kitchen local exhaust- Ductwork plans and fire damper information has been provided. Work shall be done in accordance with Boca Chapter 5 and NFPA 96 as you discussed with Lebel's Sheet Metal. A specification submittal on the fire suppression system from Waterman Fire Equipment is included for review.
4. The enclosed stamped plan includes a detail for structural alterations of framing for ductwork. There are no other structural changes required.
5. Air inlet locations will be placed in the attic immediately behind gable end louvers. No alteration to existing elevations is required or proposed.
6. U.L. information and specifications are included for the boiler chimney. Model SS-II all fuel chimney by Selkirk Metalbestos shall be used.
7. A completed permit application has been submitted with its fee. A copy is included for your convenience.

Should you have questions or concerns upon your review please contact us.

Sincerely,

Rick Wortley