

SUBMITTAL DATA: MXZ-3C30NAHZ
 MULTI-INDOOR INVERTER HEAT-PUMP SYSTEM

 Job Name: *Courne Jacques / Joggin Energy*

System Reference:

 Date: *10-27-17*
GENERAL FEATURES

- Highly energy-efficient system that features 100% heating capacity at 5° F with guaranteed capacity down to -13° F
- Quiet operation
- Built-in base pan heater to prevent ice in drain pan
- Limited warranty: five years parts and seven years compressors

ACCESSORIES

- 3/8" x 1/2" Port Adapter (MAC-A454JP-E)
- 1/2" x 3/8" Port Adapter (MAC-A455JP-E)
- 1/2" x 5/8" Port Adapter (MAC-A456JP-E)
- 1/4" x 3/8" Port Adapter (PAC-493PI)
- 3/8" x 5/8" Port Adapter (PAC-SG76RJ-E)
- M-NET Adapter (PAC-IF01MNT-E)
- Drain Socket (PAC-SG60DS-E)
- Airflow Guide (PAC-SH96SG-E)



Outdoor Unit: MXZ-3C24NAHZ


INVERTER


(For data on specific indoor units, see the MXZ-C Technical and Service Manual.)

Specifications		Model Name	
Unit Type		MXZ-3C30NAHZ	
Cooling* (Non-ducted / Ducted)	Rated Capacity	Btu/h	28,400 / 27,400
	Capacity Range	Btu/h	6,000 - 28,400
	Rated Total Input	W	2,272 / 2,661
Heating at 47°F* (Non-ducted / Ducted)	Rated Capacity	Btu/h	28,600 / 27,600
	Capacity Range	Btu/h	7,200 - 36,000
	Rated Total Input	W	2,096 / 2,187
Heating at 17°F* (Non-ducted/Ducted)	Rated Capacity	Btu/h	18,000 / 16,500
	Maximum Capacity	Btu/h	28,600 / 27,600
	Rated Total Input	W	1,991 / 1,993
Heating at 5°F*	Maximum Capacity	Btu/h	28,600
Electrical Requirements	Power Supply	Voltage, Phase, Hertz	208 / 230V, 1-Phase, 60 Hz
	Recommended Fuse/Breaker Size	A	40
	MCA	A	30
Voltage	Indoor - Outdoor S1-S2	V	AC 208 / 230
	Indoor - Outdoor S2-S3	V	DC ±24
Compressor		DC INVERTER-driven Twin Rotary	
Fan Motor (ECM)		F.L.A.	1.9
Sound Pressure Level	Cooling	dB(A)	54
	Heating		58
External Dimensions (H x W x D)		In / mm	41-9/32 x 37-13/32 x 13 1048 x 950 x 330
Net Weight		Lbs / kg	189 / 86
External Finish		Munsell No. 3Y 7.8/11	
Refrigerant Pipe Size O.D. — Eight Ports	Liquid (High Pressure)	In / mm	1/4 / 6.35
	Gas (Low Pressure)		A: 1/2 / 12.7 ; B,C: 3/8 / 9.52
Max. Refrigerant Line Length		Ft / m	230 / 70
Max. Piping Length for Each Indoor Unit		Ft / m	82 / 25
Max. Refrigerant Pipe Height Difference	If IDU is Above ODU	Ft / m	49 / 15
	If IDU is Below ODU		49 / 15
Connection Method		Flared/Flared	
Refrigerant		R410A	

* Rating Conditions per AHRI Standard:

Cooling | Indoor: 80° F (27° C) DB / 67° F (19° C) WB

Cooling | Outdoor: 95° F (35° C) DB / W.B. 23.9° C (75° F)

Heating at 47° F | Indoor: 70° F (21° C) DB / 60° F (16° C) WB

Heating at 47° F | Outdoor: 47° F (8° C) DB / 43° F (6° C) WB

Heating at 17° F | Indoor: 70° F (21° C) DB

Heating at 17° F | Outdoor: 17° F (-8° C) DB / 15° F (-9° C) WB

SPECIFICATIONS: MXZ-3C30NAHZ, contd.

Operating Range:

Outdoor	
Cooling	D.B. 23 to 115° F [D.B. -5 to 46° C]*1
Heating	D.B. -13 to 70° F [D.B. -25 to 21° C]

*1. D.B. 5 to 115° F [D.B. -15 to 46° C],
when an optional Air Outlet Guide is installed.

Energy Efficiencies:

Indoor Unit Type	SEER	EER	HSPF	COP @ 47°F	COP @ 17°F
Non-ducted (06 + 06 + 09)	18.0	12.5	11.0	4.00	2.65
Ducted and Non-ducted	17.00	11.40	10.40	3.85	2.58
Ducted (09 + 09 + 09)	16.0	10.3	9.8	3.70	2.50

Multi-zone Indoor/Outdoor Combination Table

	MSZ-FH*	MSZ-GE*	MFZ*	MVZ*	SEZ-KD*	SLZ*	PCA (A24)*	PLA*	PEAD*
MXZ-3C30NAHZ	OK	OK	OK	12,18,24 OK 30,36 NO	OK	OK	OK	18,24 OK 12,30 NO	24 OK 30, 36 NO

* Refer to indoor unit submittal.

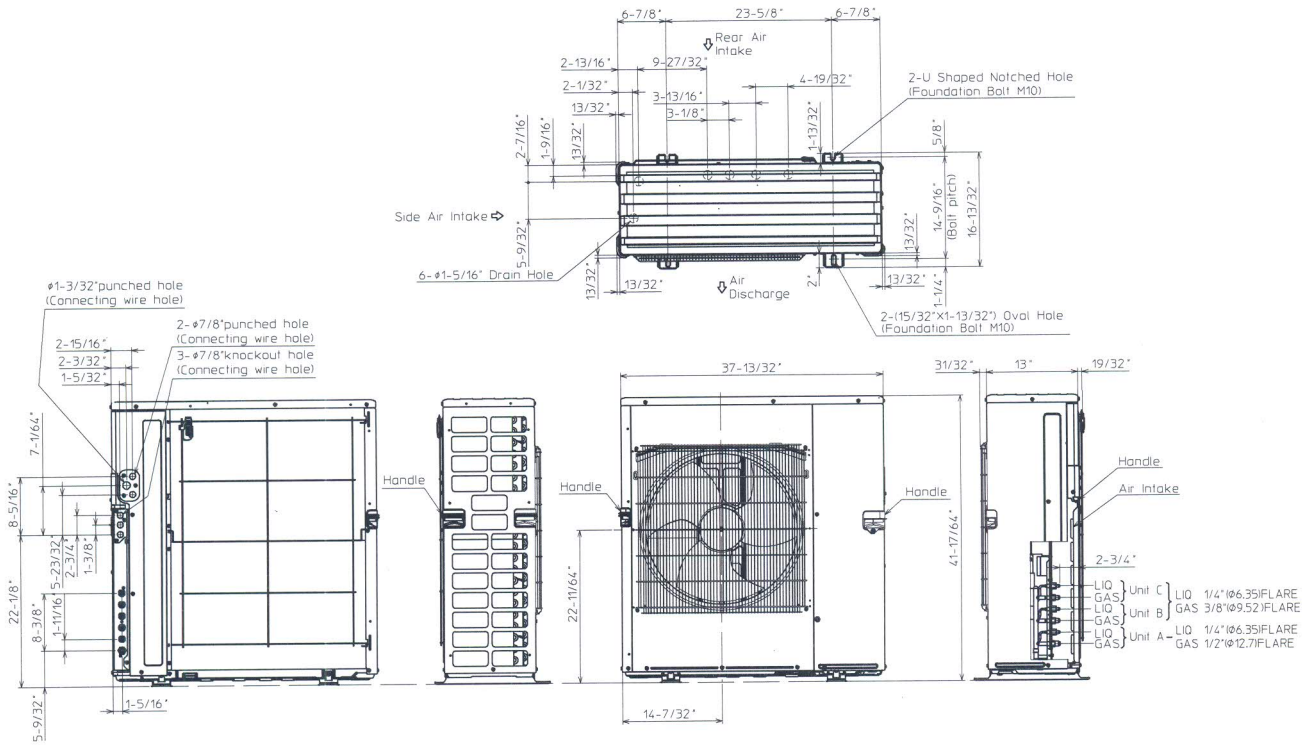
Notes:

- Minimum of two Indoor Units must be connected to the MXZ-3C30NAHZ.
 - Minimum installed capacity cannot be less than 12,000 Btu/h.
 - System can operate with only one Indoor Unit turned on.
 - May connect to any style indoor unit or combination.
 - Information provided at 208/230V.
- Refer to the MXZ-C Technical & Service Manual for detailed specifications and additional information per Indoor Unit Combination.

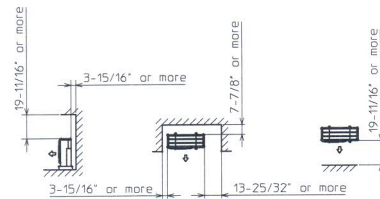
Notes:

DIMENSIONS: MXZ-3C30NAHZ

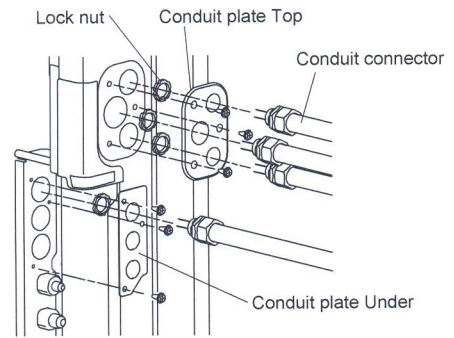
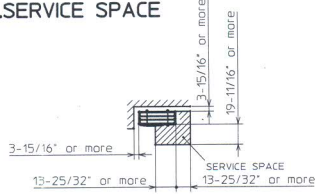
Unit: inch (mm)



1.FREE SPACE



2.SERVICE SPACE



1340 Satellite Boulevard
 Suwanee, GA 30024
 Toll Free: 800-433-4822
 www.mehvac.com

FORM# MXZ-3C30NAHZ for Multiple Indoor Unit Styles - 201411

Specifications are subject to change without notice.
 © 2014 Mitsubishi Electric US, Inc.