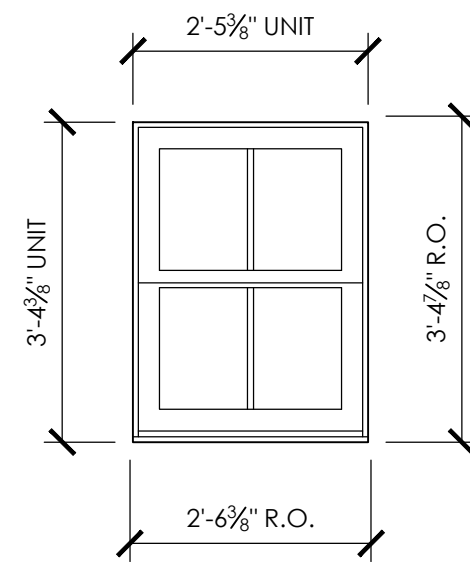
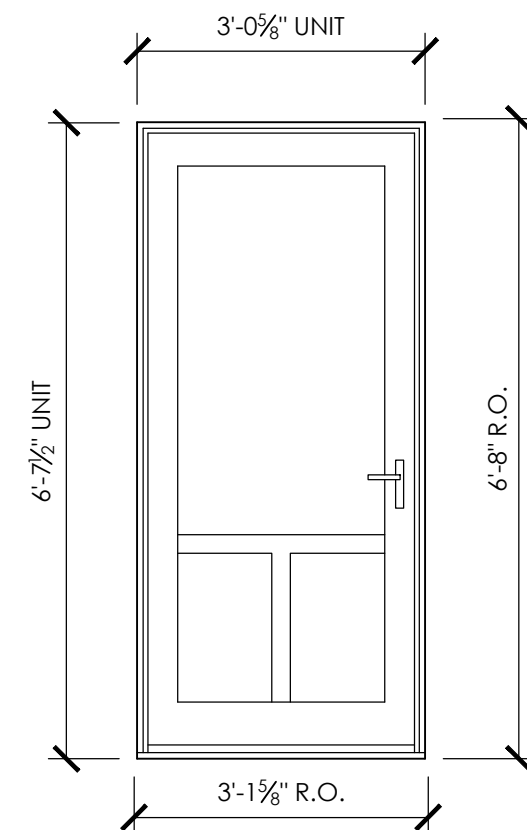


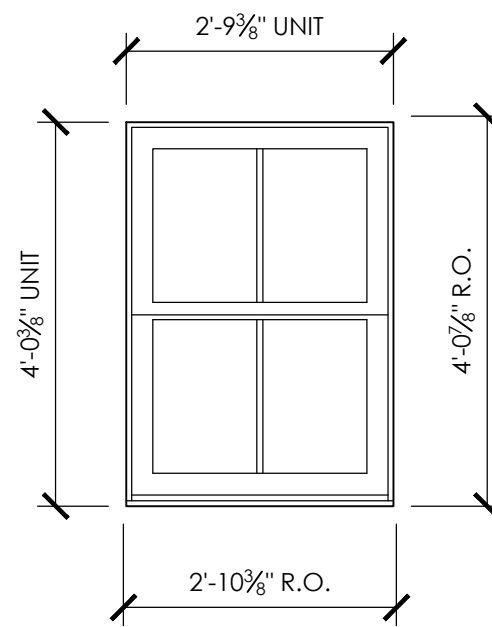
**A** MARVIN CUDH3222  
QTY.: 4



**B** MARVIN CUDH2416  
QTY.: 3

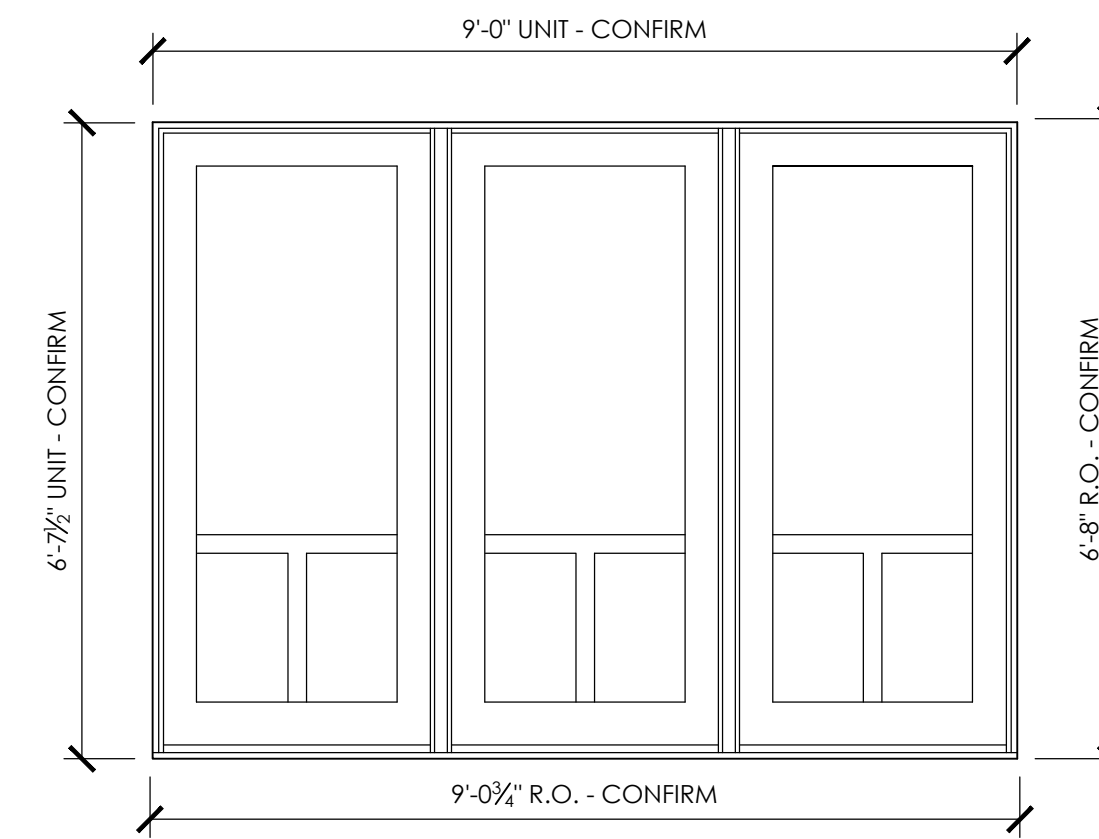


**C** MARVIN CUJFD3066  
QTY.: 2

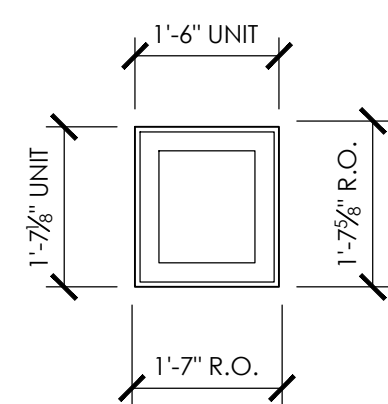


**D** MARVIN CUDH2820  
QTY.: 6

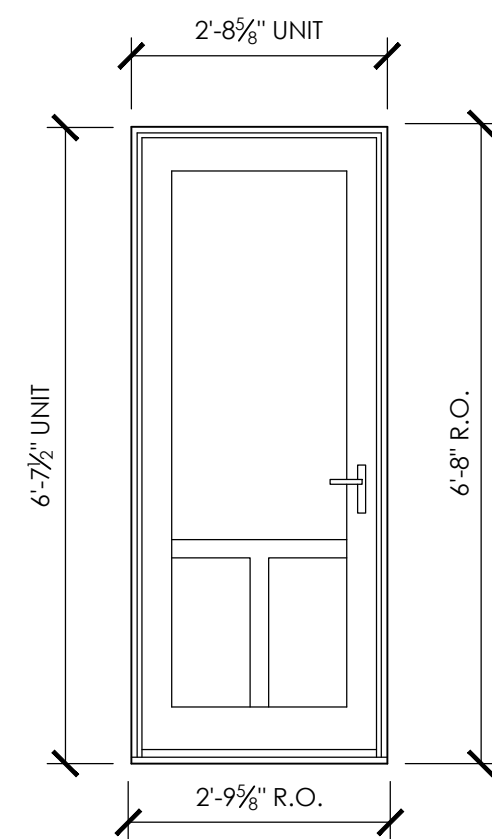
**E** NOT USED



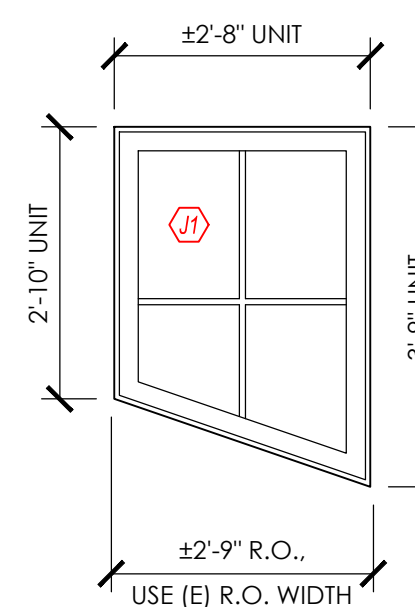
**F** PATIO DOOR -  
TO BE SELECTED  
QTY.: 1



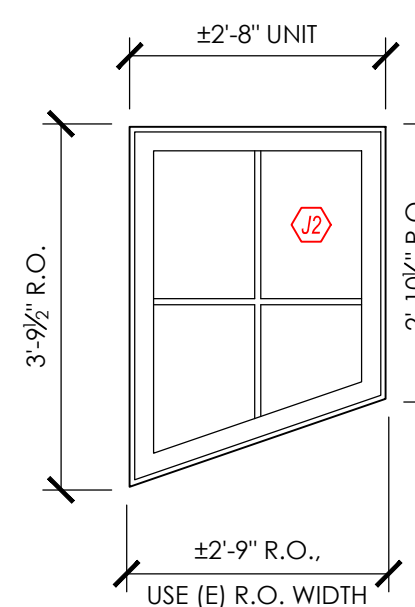
**G** MARVIN CUAWN1820  
QTY.: 2



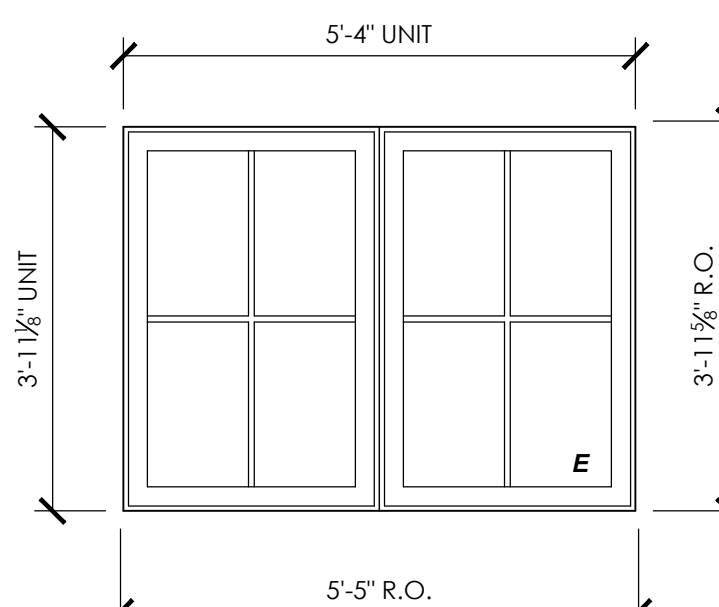
**H** MARVIN CUJFD  
QTY.: 1



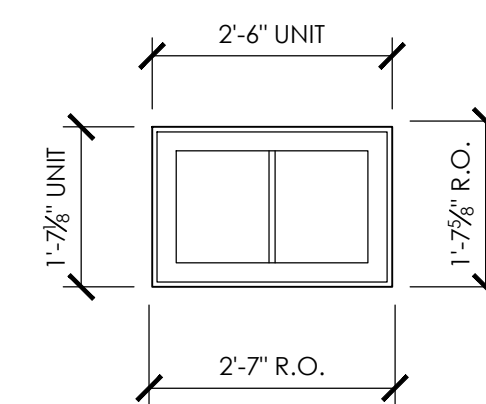
**I** MARVIN CUSTOM  
CONFIRM SLOPE IN FIELD  
QTY.: 1 EACH



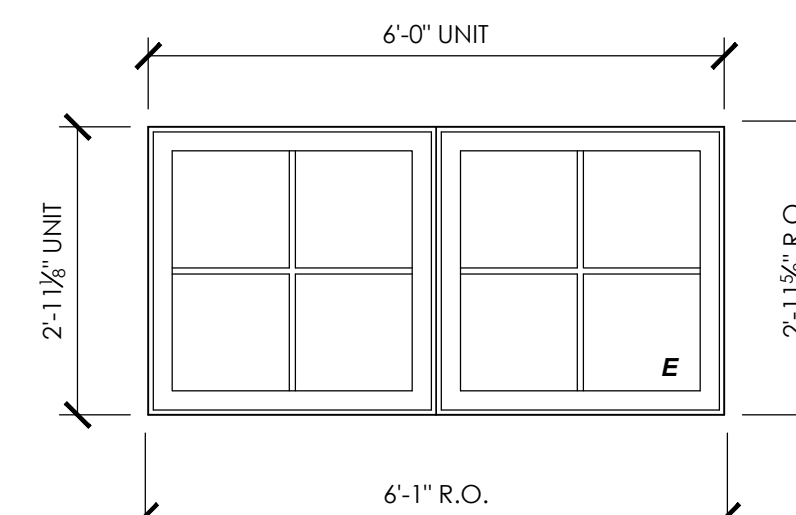
**K** MARVIN (2) CUCA3248  
QTY.: 1



**E** - BASIC UNIT CLEAR OPENING EXCEEDS 20\"/>



**L** MARVIN CUAWN3020  
QTY.: 4



**E** - BASIC UNIT CLEAR OPENING EXCEEDS 20\"/>

**M** MARVIN (2) CUCA3636  
QTY.: 1

**U** MARVIN CLAD ULTIMATE  
REPLACEMENT DOUBLE HUNG  
IN (E) LOCATION

**CS** MARVIN CLAD ULTIMATE  
REPLACEMENT CASEMENT IN  
(E) LOCATION

**U** MARVIN CLAD ULTIMATE  
REPLACEMENT TWIN DOUBLE  
HUNG IN (E) LOCATION

**WINDOW SCHEDULE NOTES:**

1. VERIFY ALL WINDOW SELECTIONS, QUANTITIES, AND LOCATIONS WITH OWNER.
2. MANUFACTURER SHALL SUBMIT DETAILED SHOP DRAWINGS, MANUFACTURER TO OBTAIN BUILDERS & ARCHITECTS WRITTEN APPROVAL OF SHOP DRAWINGS PRIOR TO MANUFACTURE.
3. ROUGH OPENINGS ARE MIN. LISTED BY MANUFACTURER, ROUGH OPENINGS MAY NEED TO BE INCREASED FOR FLASHING CONDITIONS PER CONTRACTOR'S RECOMMENDATIONS.
4. UNITS TO BE MARVIN ULTIMATE CLAD UNLESS NOTED OTHERWISE IN SCHEDULE.
5. GLAZING TO BE INSULATED, LOW-E GLASS, TEMPERED WHERE REQUIRED BY CODE.
6. SIMULATED DIVIDED LITES. SEE ELEVATIONS FOR PATTERNS.
7. ALL OPERABLE WINDOW UNITS TO HAVE FULL SCREENS, INSWING EXTERIOR DOORS TO HAVE SCREENS.
8. CLAD EXTERIOR; COLOR TBD; WOOD INTERIOR; PRIMED; FACTORY PAINTED INTERIOR AT WINDOWS IN SHOWERS.
9. HARDWARE: FINISH TBD.
10. EXTENSION JAMBS BY G.C.
11. TRIM: PAINTED PRIMED WOOD BY G.C.
12. SEE EXTERIOR ELEVATIONS FOR OPERATION INFORMATION.

