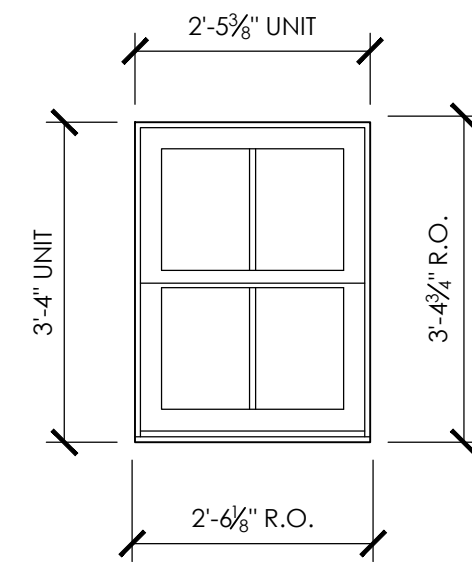
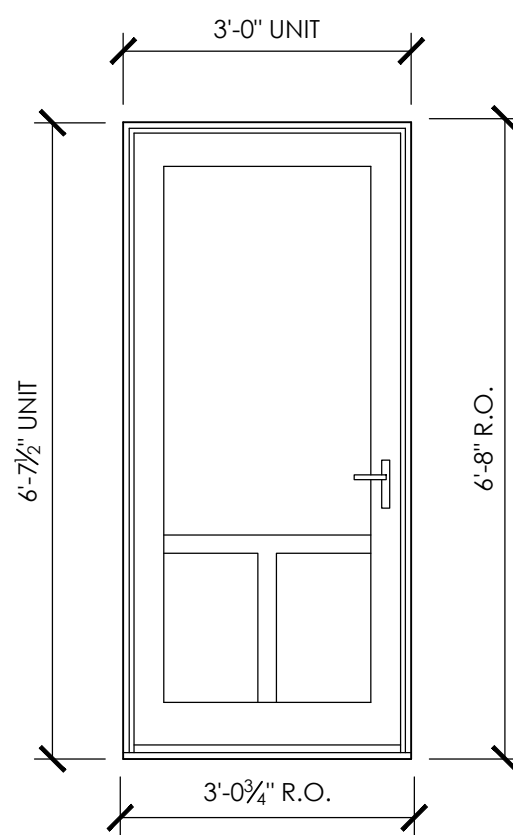


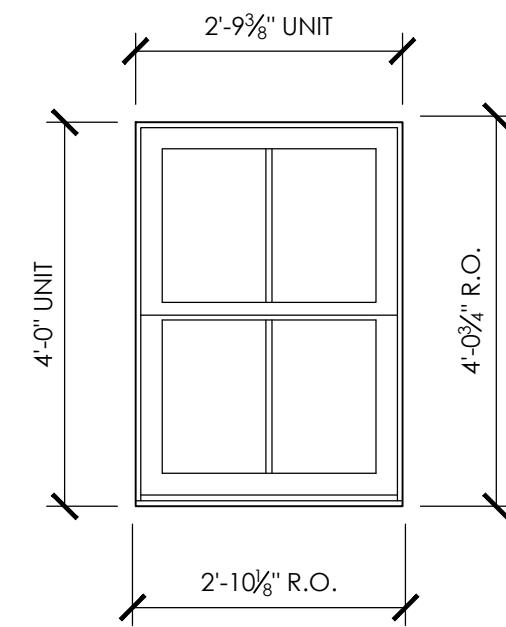
**JELDWEN ECD3752**  
QTY.: 4



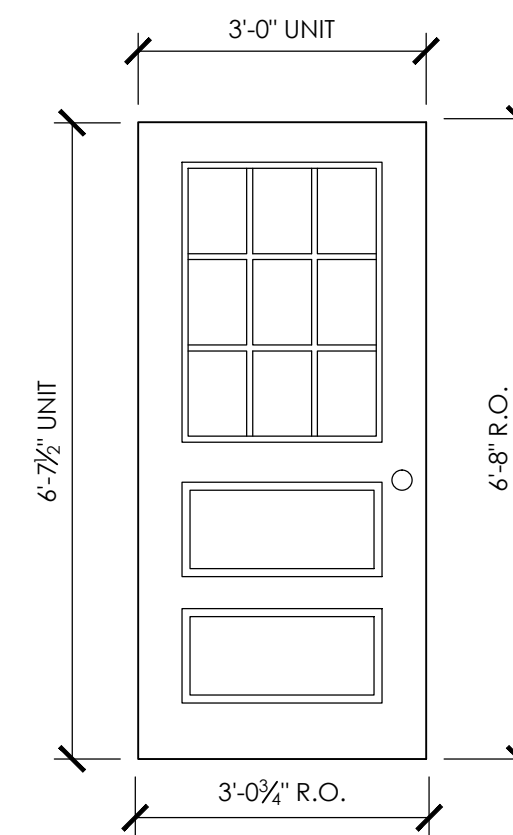
**JELDWEN ECD2940**  
QTY.: 3



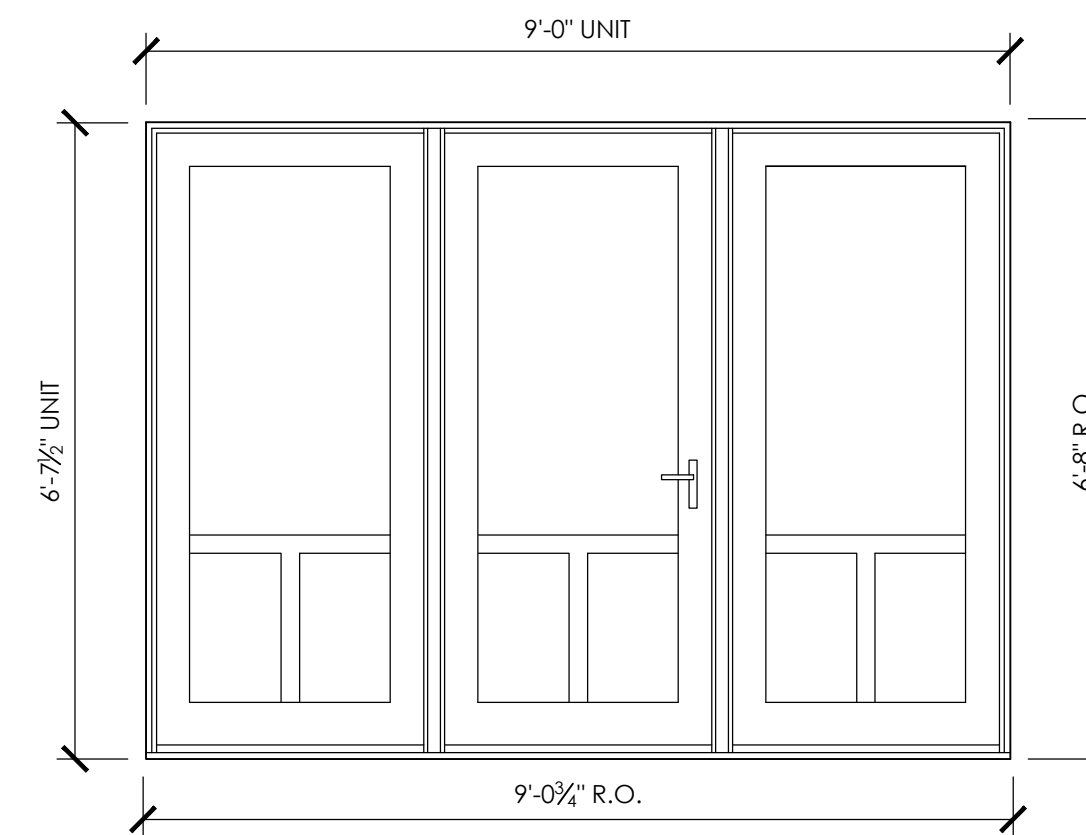
**JELDWEN SCHD-3068**  
QTY.: 1



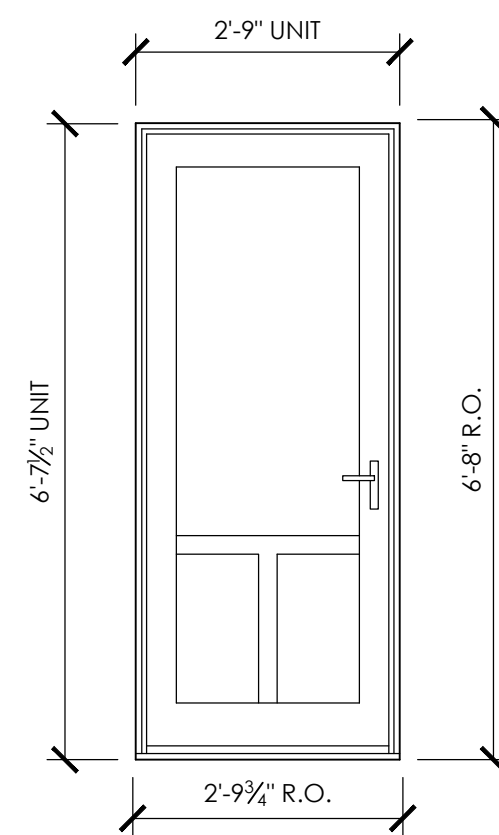
**JELDWEN ECD3348**  
QTY.: 6



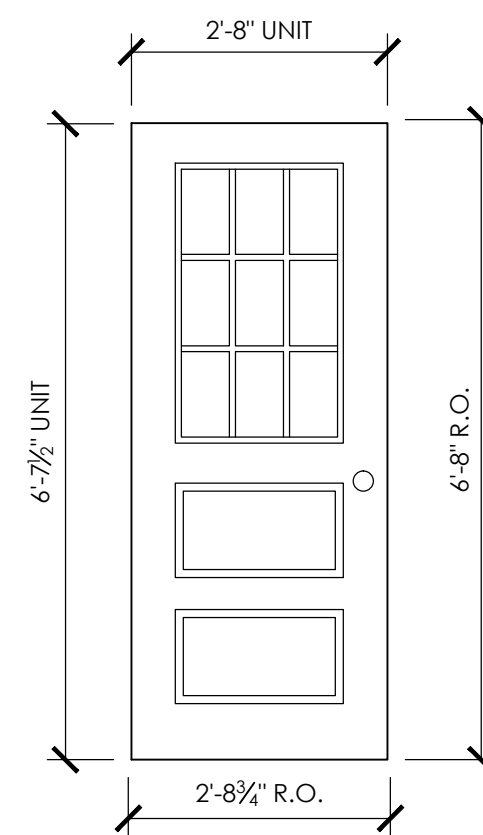
**JELDWEN ENTRY DOOR**  
QTY.: 1



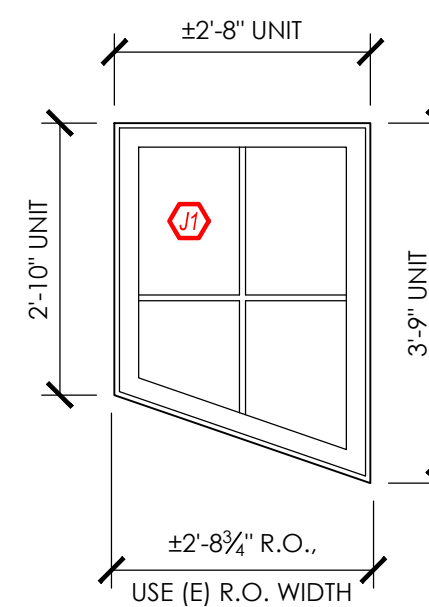
**JELDWEN SCHD-9068**  
QTY.: 1



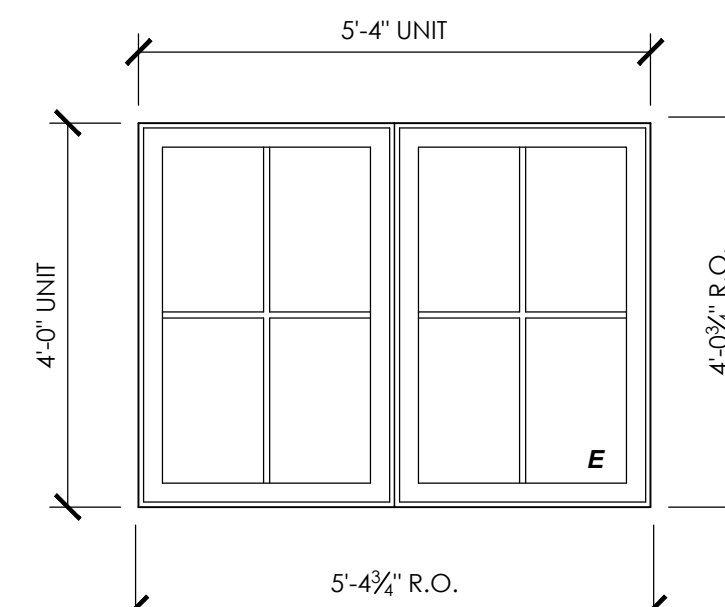
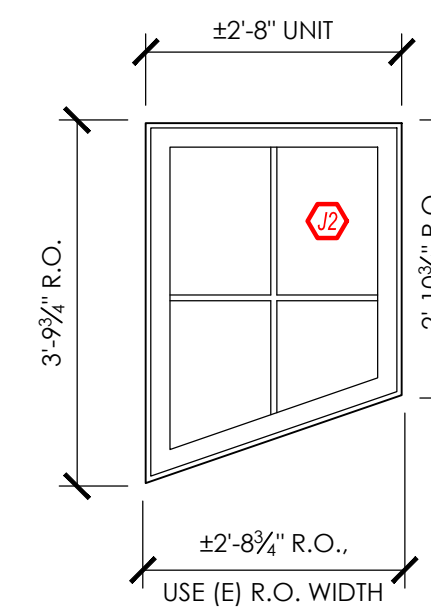
**JELDWEN SCHD-2968**  
QTY.: 1



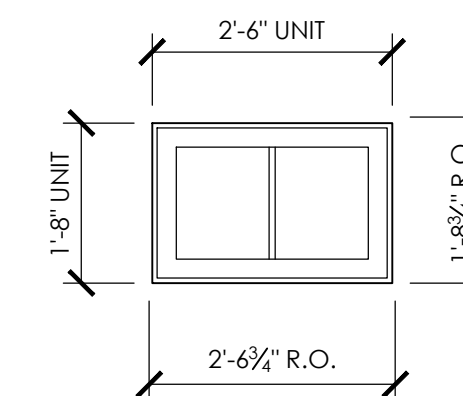
**JELDWEN ENTRY DOOR**  
QTY.: 1



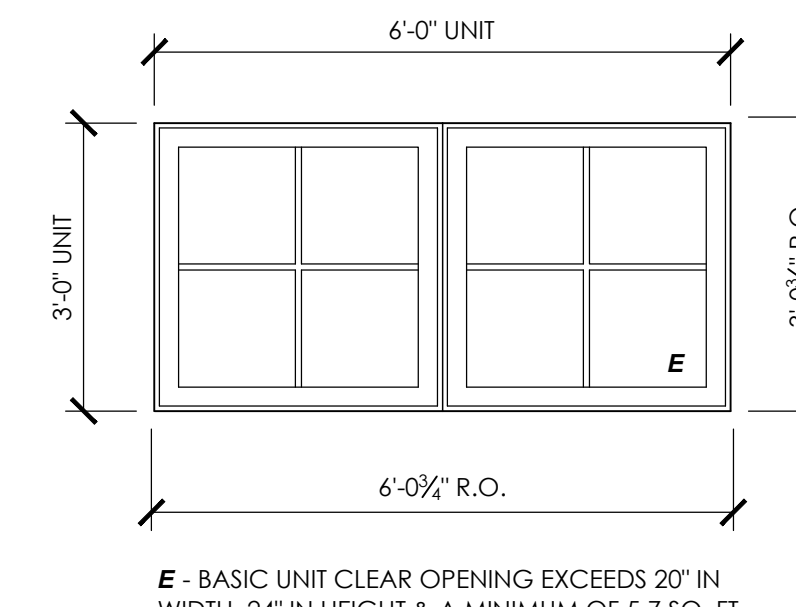
**JELDWEN CUSTOM.**  
CONFIRM SLOPE IN FIELD  
QTY.: 1 EACH



**JELDWEN ECC3248-2**  
QTY.: 1



**JELDWEN ECA3020**  
QTY.: 4



**JELDWEN ECC3636-2**  
QTY.: 1

**JELDWEN SITELINE EX**  
REPLACEMENT DOUBLE HUNG  
IN (E) LOCATION

**JELDWEN SITELINE EX**  
REPLACEMENT CASEMENT IN  
(E) LOCATION

**JELDWEN SITELINE EX**  
REPLACEMENT TWIN DOUBLE  
HUNG IN (E) LOCATION

**WINDOW SCHEDULE NOTES:**

1. VERIFY ALL WINDOW SELECTIONS, QUANTITIES, AND LOCATIONS WITH OWNER.
2. MANUFACTURER SHALL SUBMIT DETAILED SHOP DRAWINGS. MANUFACTURER TO OBTAIN BUILDER'S & ARCHITECTS WRITTEN APPROVAL OF SHOP DRAWINGS PRIOR TO MANUFACTURE.
3. ROUGH OPENINGS ARE MIN. LISTED BY MANUFACTURER. ROUGH OPENINGS MAY NEED TO BE INCREASED FOR FLASHING CONDITIONS PER CONTRACTOR'S RECOMMENDATIONS.
4. UNITS TO BE JELD-WEN SITELINE EX CLAD UNLESS NOTED OTHERWISE IN SCHEDULE.
5. GLAZING TO BE INSULATED, LOW-E GLASS, TEMPERED WHERE REQUIRED BY CODE.
6. SIMULATED DIVIDED LITES. SEE ELEVATIONS FOR PATTERNS.
7. ALL OPERABLE WINDOW UNITS TO HAVE FULL SCREENS. INSWING EXTERIOR DOORS TO HAVE SCREENS.
8. CLAD EXTERIOR: COLOR TBD; WOOD INTERIOR: PRIMED; VINYL INTERIOR AT WINDOWS IN SHOWERS.
9. HARDWARE: FINISH TBD.
10. EXTENSION JAMBS BY G.C.
11. TRIM: PAINTED PRIMED WOOD BY G.C.
12. SEE EXTERIOR ELEVATIONS FOR OPERATION INFORMATION.

**E** - BASIC UNIT CLEAR OPENING EXCEEDS 20" IN WIDTH, 24" IN HEIGHT & A MINIMUM OF 5.7 SQ. FT.

**E** - BASIC UNIT CLEAR OPENING EXCEEDS 20" IN WIDTH, 24" IN HEIGHT & A MINIMUM OF 5.7 SQ. FT.