

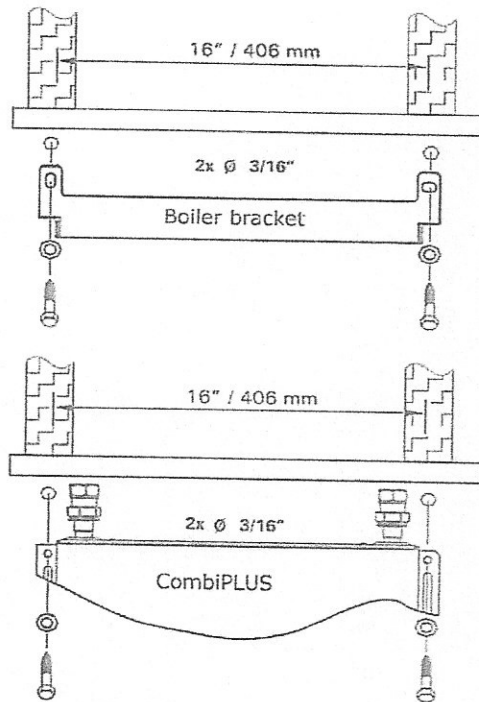
Dimensions

Wall Mounting (continued)

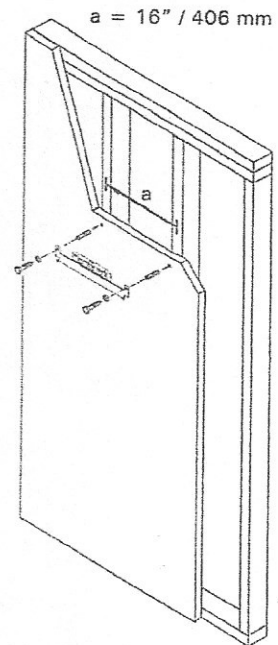
Vitodens 100-W, WB1B Installation & Service

Boiler mounting bracket and CombiPLUS installation

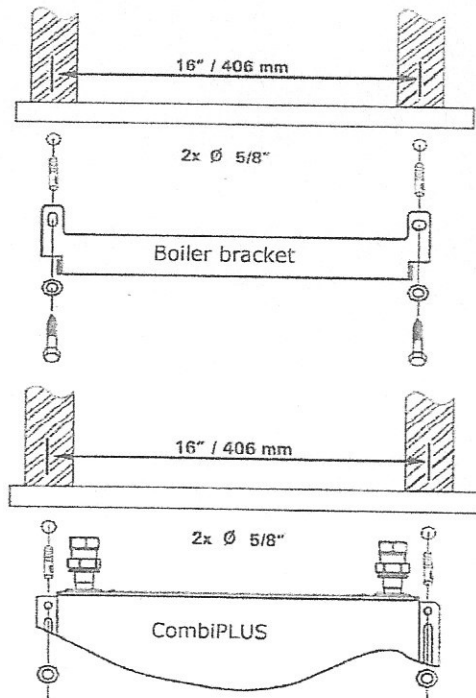
Installation on wood studs



Install mounting bracket and CombiPLUS on wood studs as per illustration. Drill $\frac{3}{16}$ " pilot holes to insert mounting bolts. Ensure that holes are located in the center of each wood stud. Secure with bolts to wooden studs as shown.



Installation on metal studs



Install mounting bracket and CombiPLUS on metal studs as per illustration. Drill $\frac{5}{8}$ " pilot holes to insert anchors. Ensure that holes are located in the center of each metal stud. Use appropriate fasteners to mount CombiPLUS to metal studs (not supplied). Secure with bolts to metal studs as shown.

