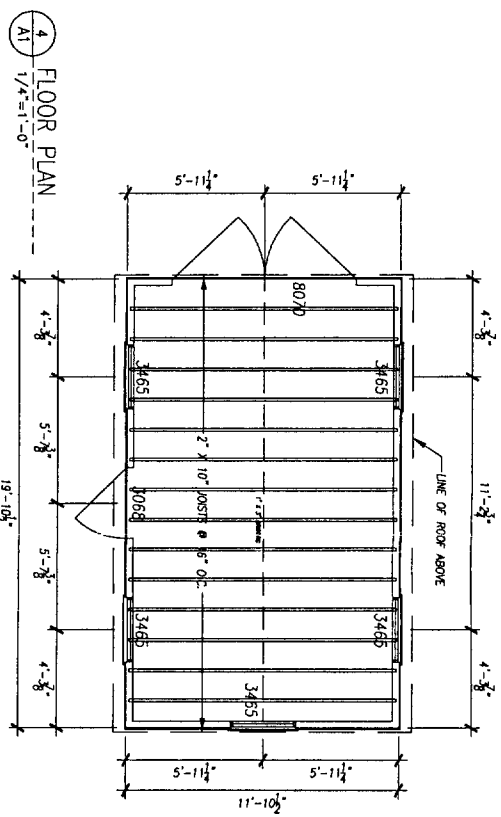
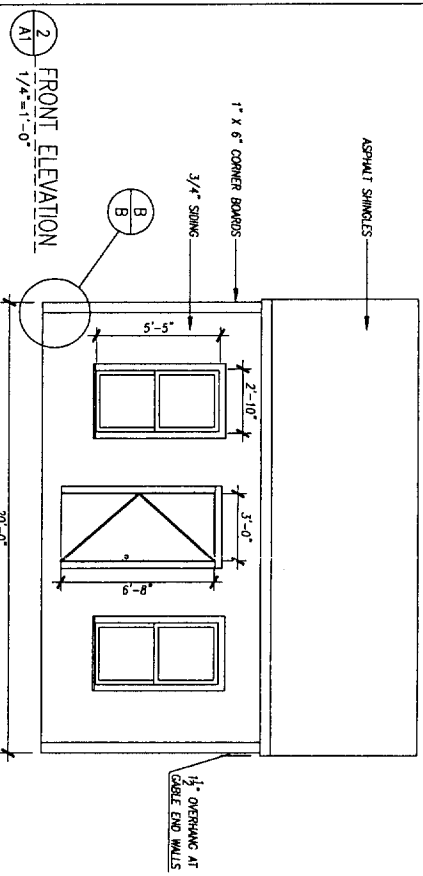


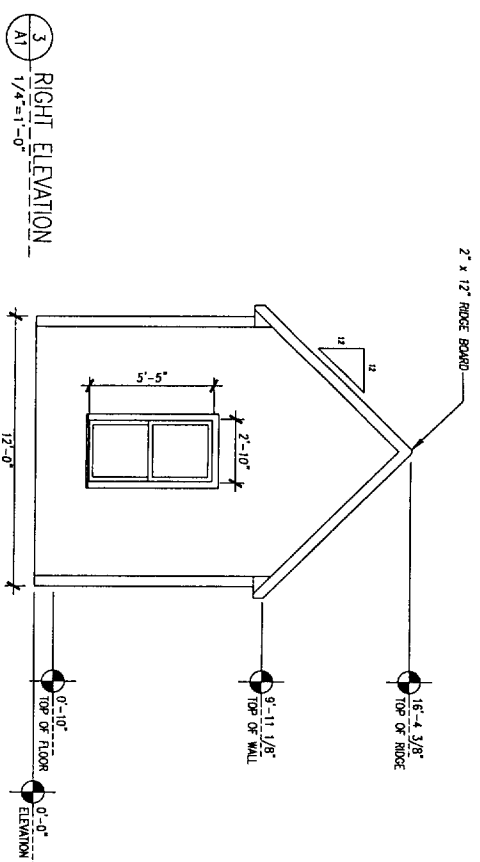
1 LEFT ELEVATION
1/4"=1'-0"



4 FLOOR PLAN
1/4"=1'-0"

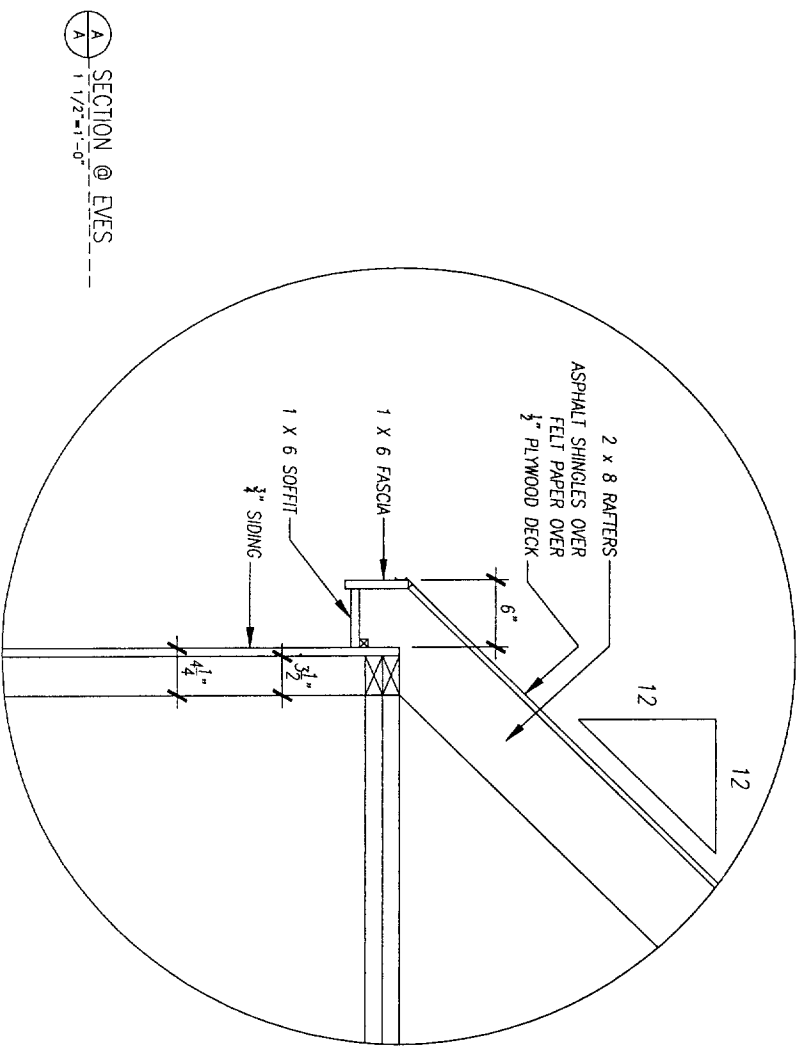


2 FRONT ELEVATION
1/4"=1'-0"

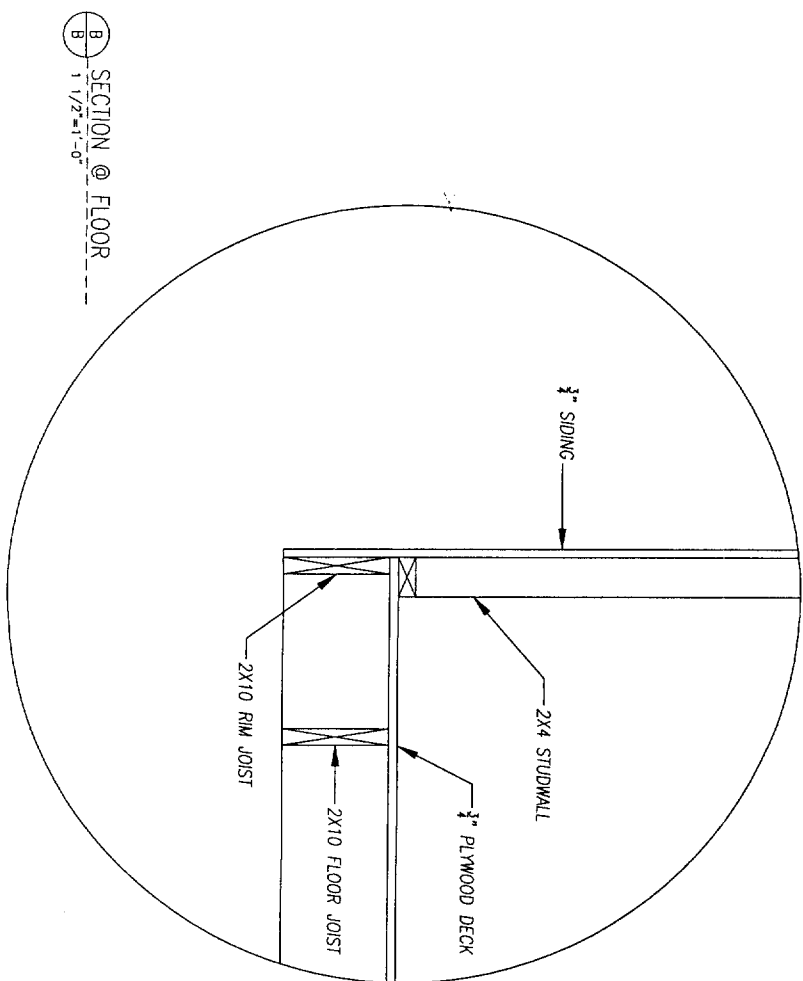


3 RIGHT ELEVATION
1/4"=1'-0"

*2-2x8 Headers
will be on 48" Tubes*



A SECTION @ EYES
1 1/2"=1'-0"



B SECTION @ FLOOR
1 1/2"=1'-0"

NOTES: ---

MATERIALS LIST:	DATE:	REVISION:	DRAWN BY:	DATE:
---	---	A	RJC	8/29/05
---	---	B		
---	---	C		
---	---	D		
---	---	E		
---	---	F		
---	---	G		

CLIENT:	PROJECT:	TITLE:	DRAWING NUMBER
KEVIN SAMSON	N/A	SHED	A1
ELEVATIONS AND DETAILS			

DRAWING NUMBER
A1

