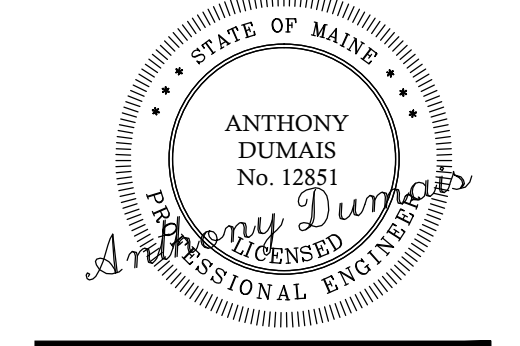
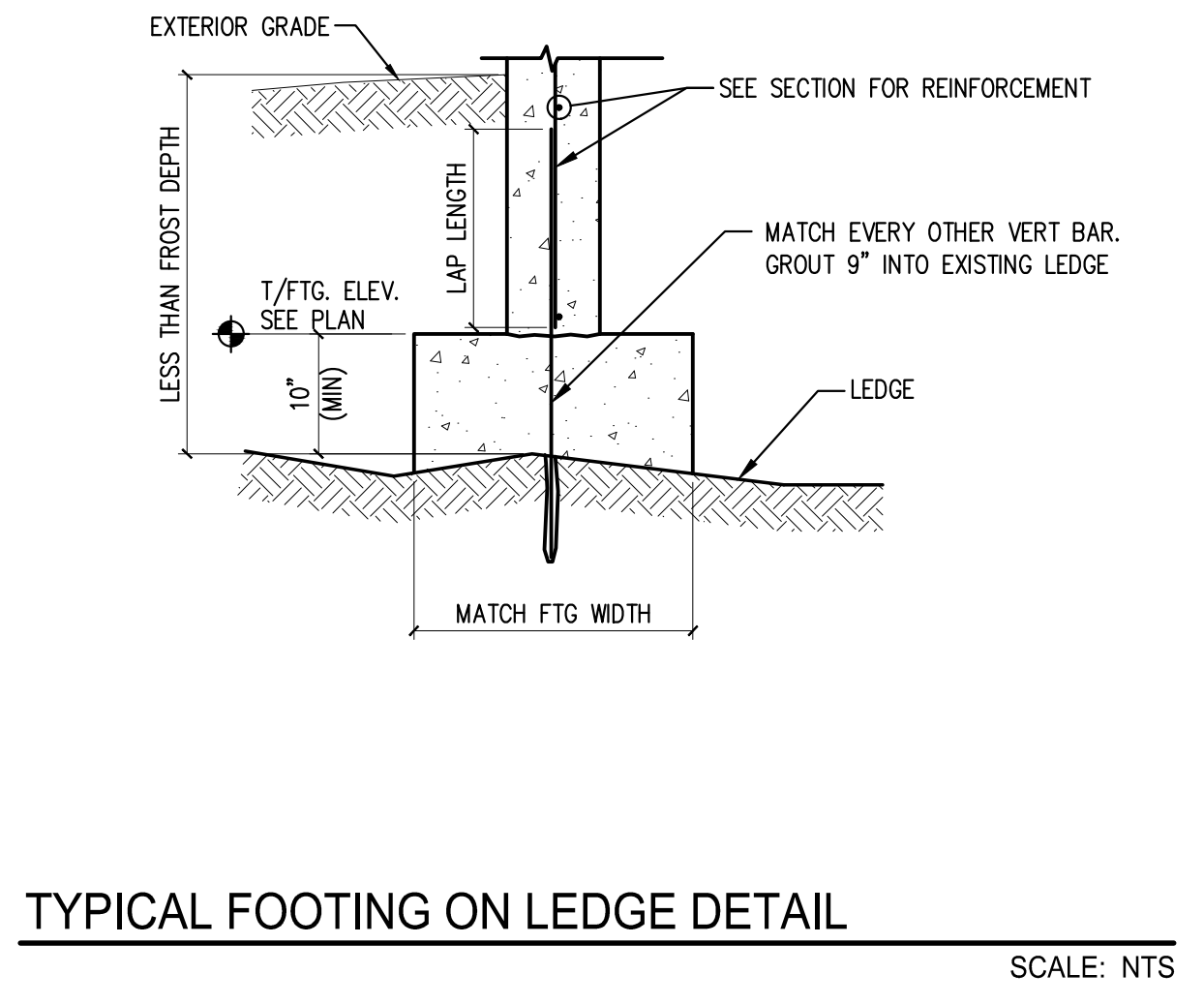
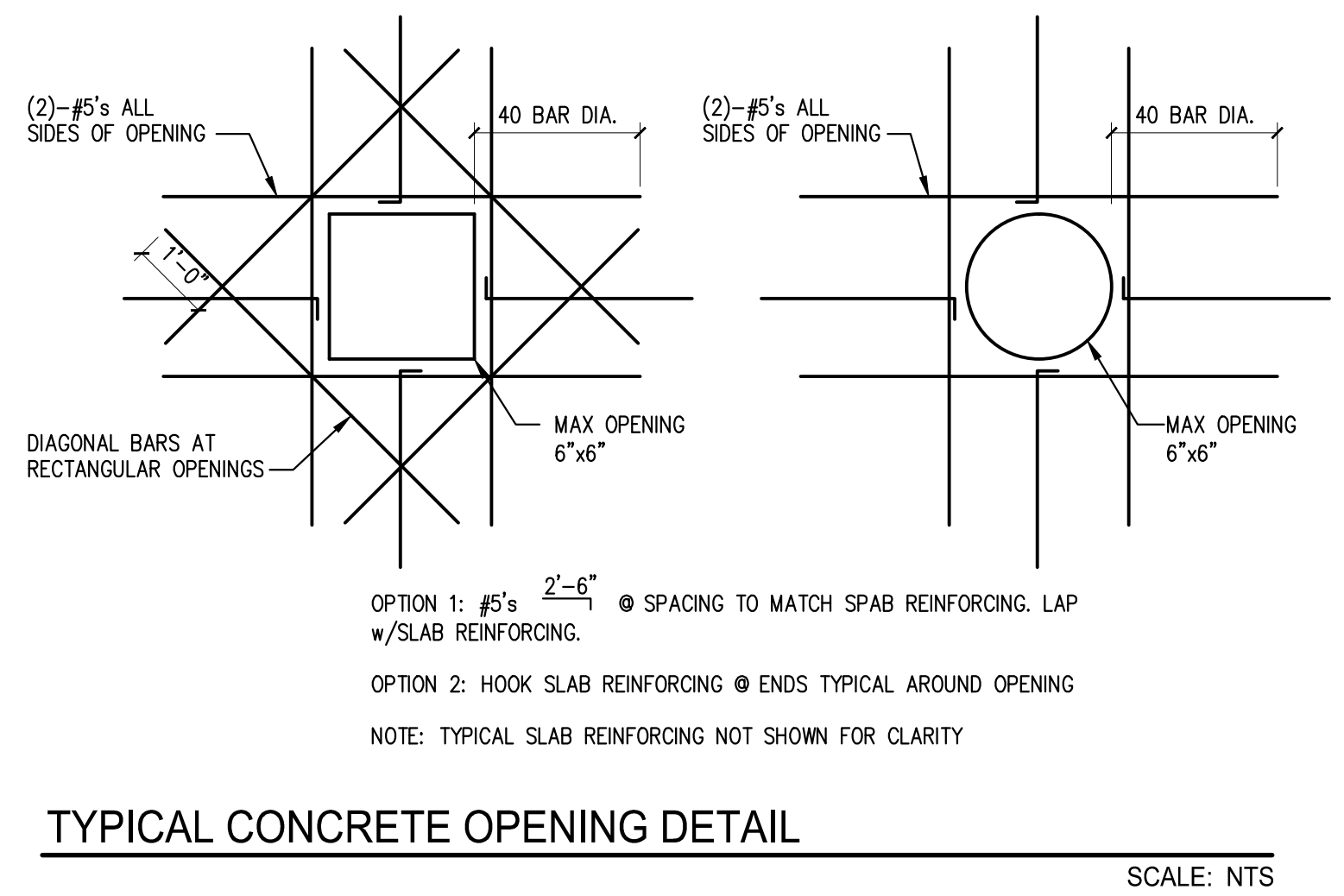
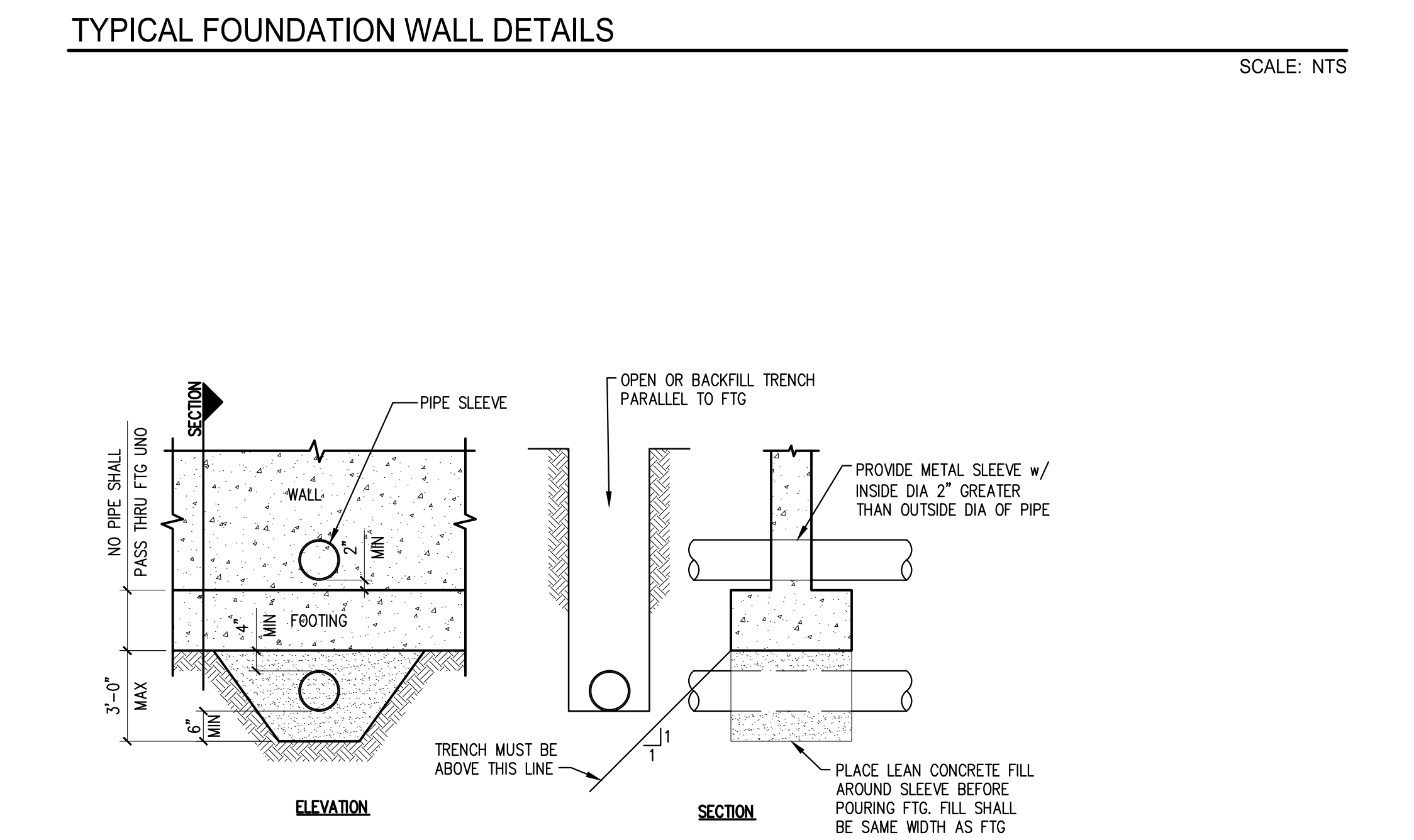
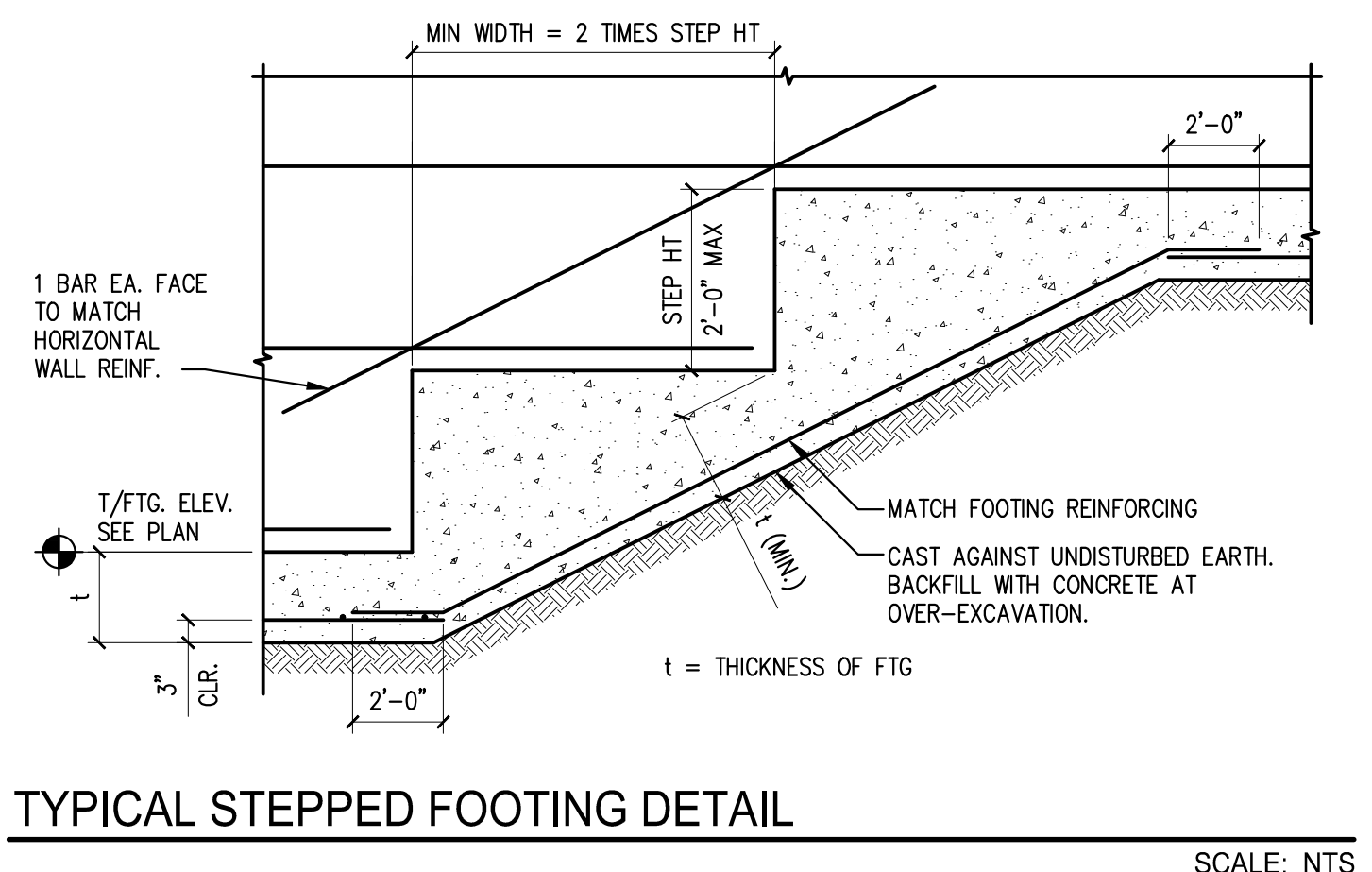
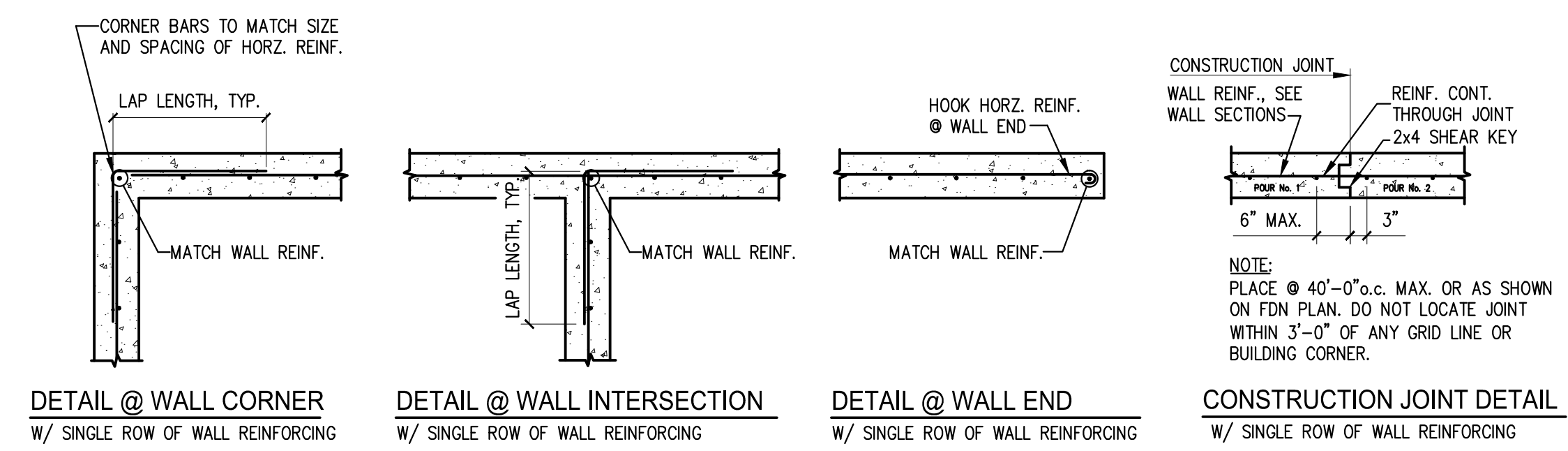
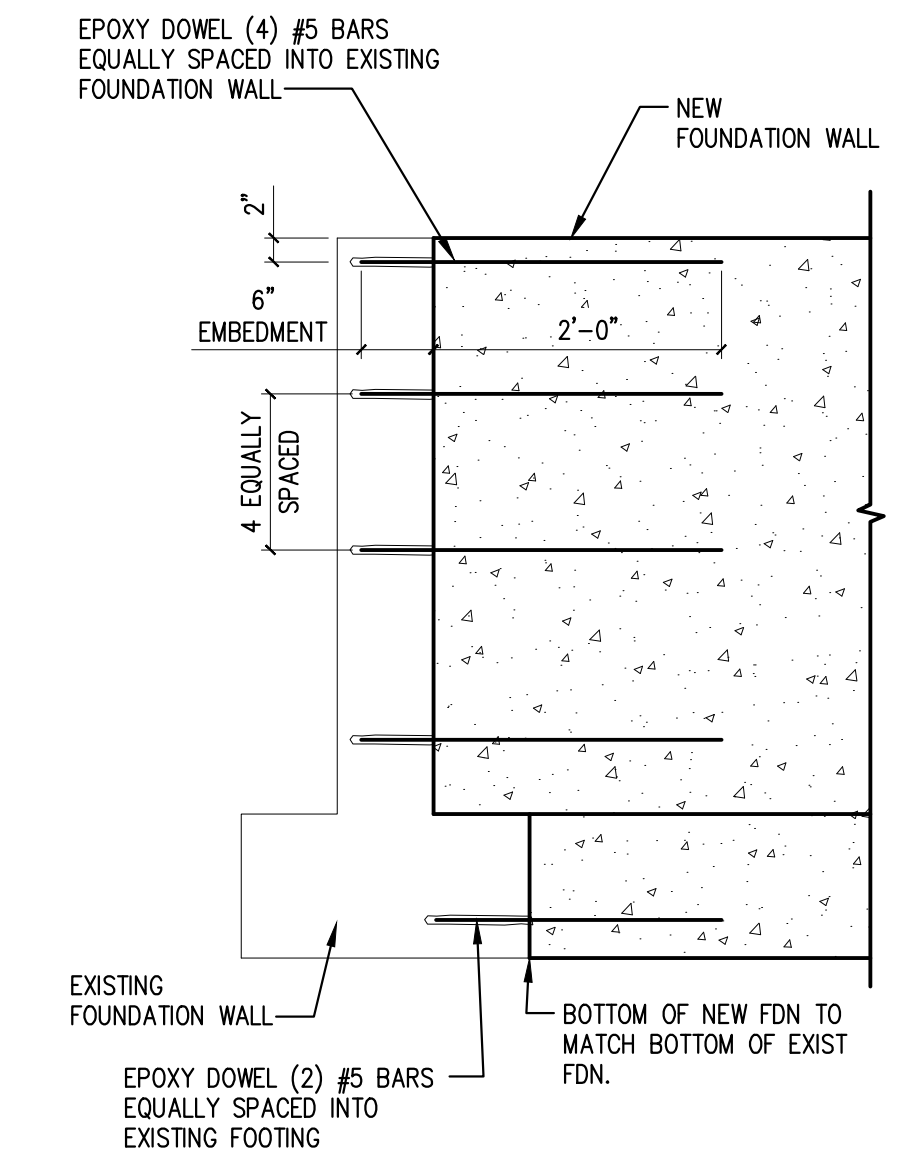
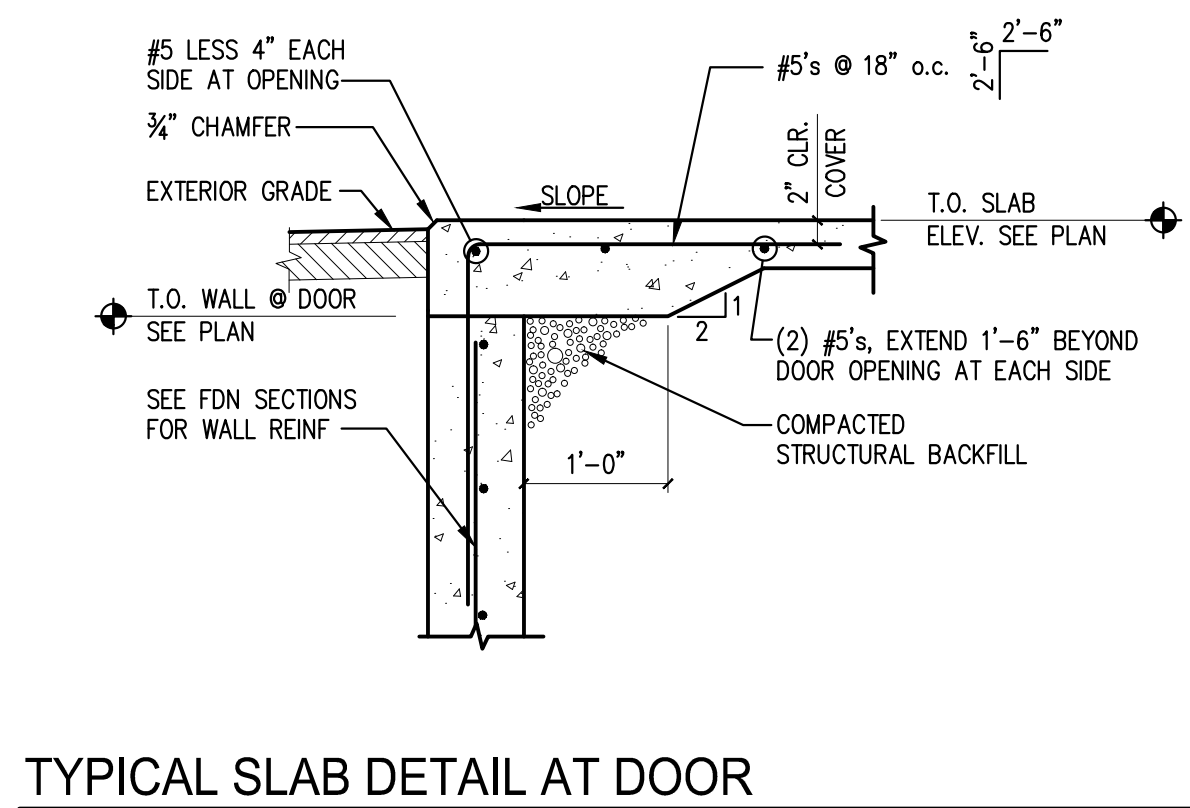
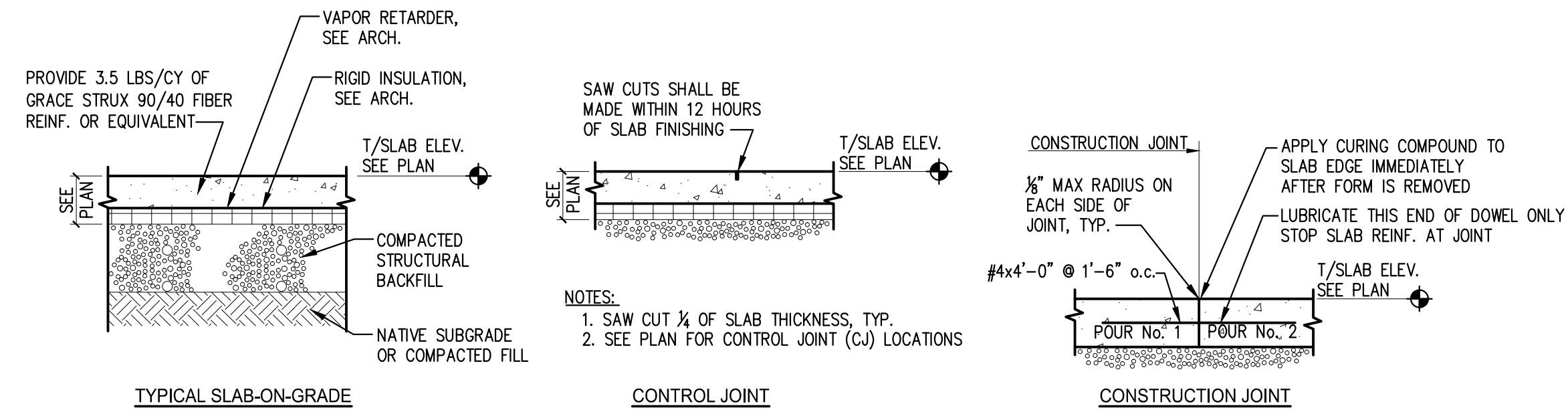


PRINTED: Sep 29, 2015



**LAPIERRE ADDITION**  
 56 WEYMOUTH WAY  
 GREAT DIAMOND ISLAND, MAINE  
**RESIDENTIAL ADDITION**

ISSUED	NO.	DESCRIPTION	ISSUED FOR PERMIT	CHKD.	DATE
				BY	TD
	0				10-1-15

SHEET TITLE:

**TYPICAL CONCRETE DETAILS AND SECTIONS**

DESIGNED:	TD
DRAWN:	TD
DATE:	8-11-15
PROJECT NUMBER:	15-132