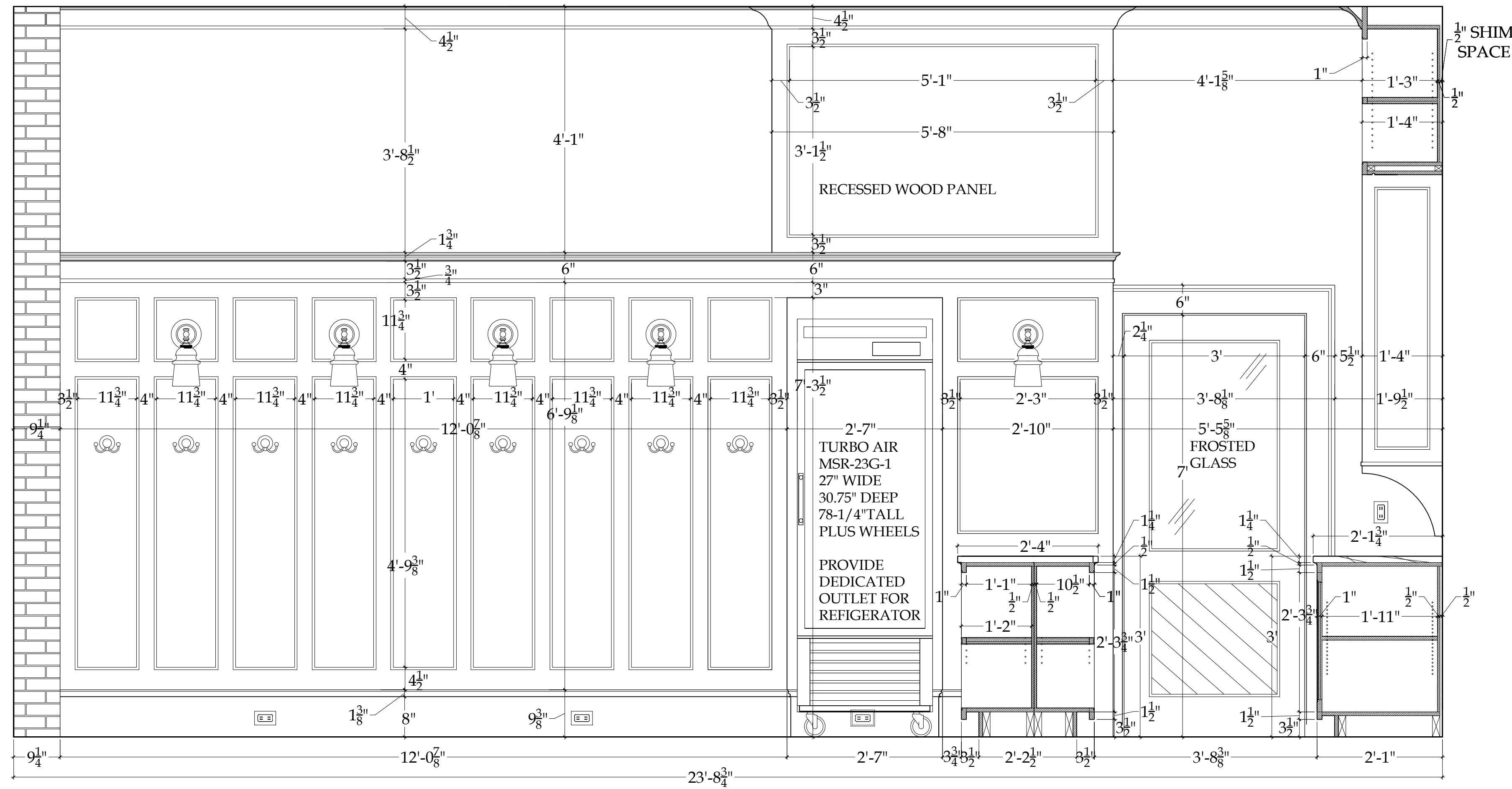
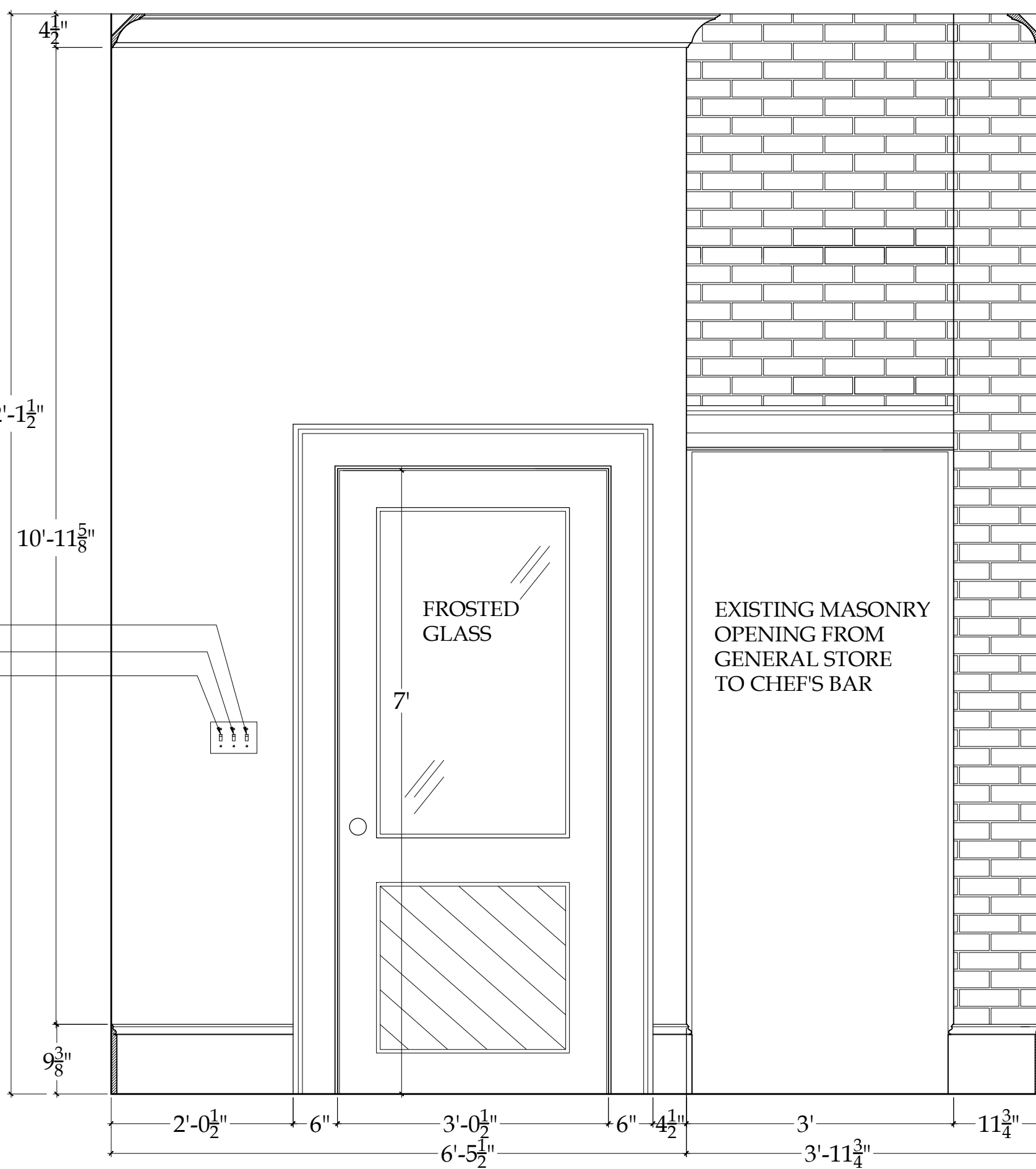


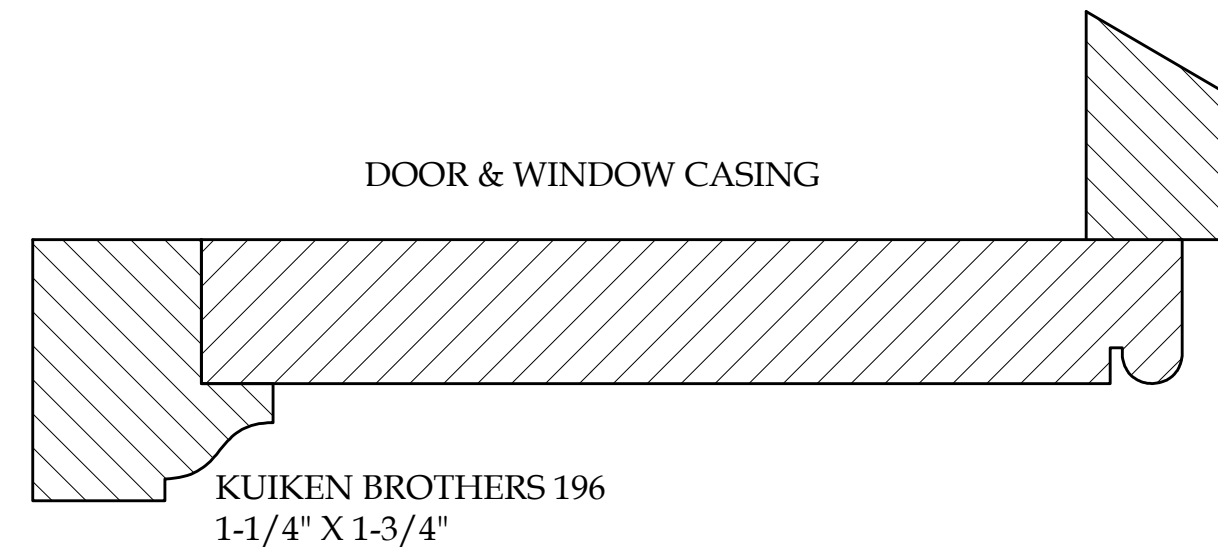
ALL DIMENSIONS MUST BE VERIFIED IN THE FIELD PRIOR TO CONSTRUCTION



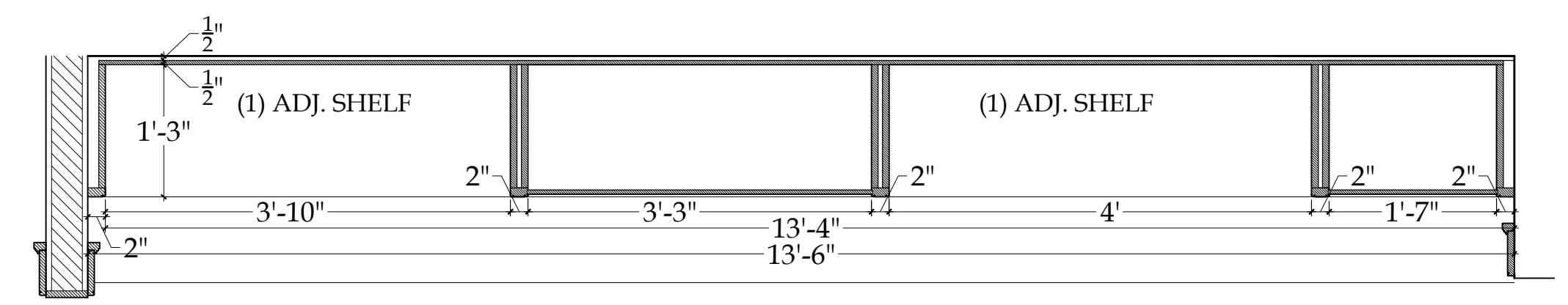
1  
1-1.7  
GENERAL STORE:  
WEST ELEVATION  
Scale: 3/4"=1'-0"



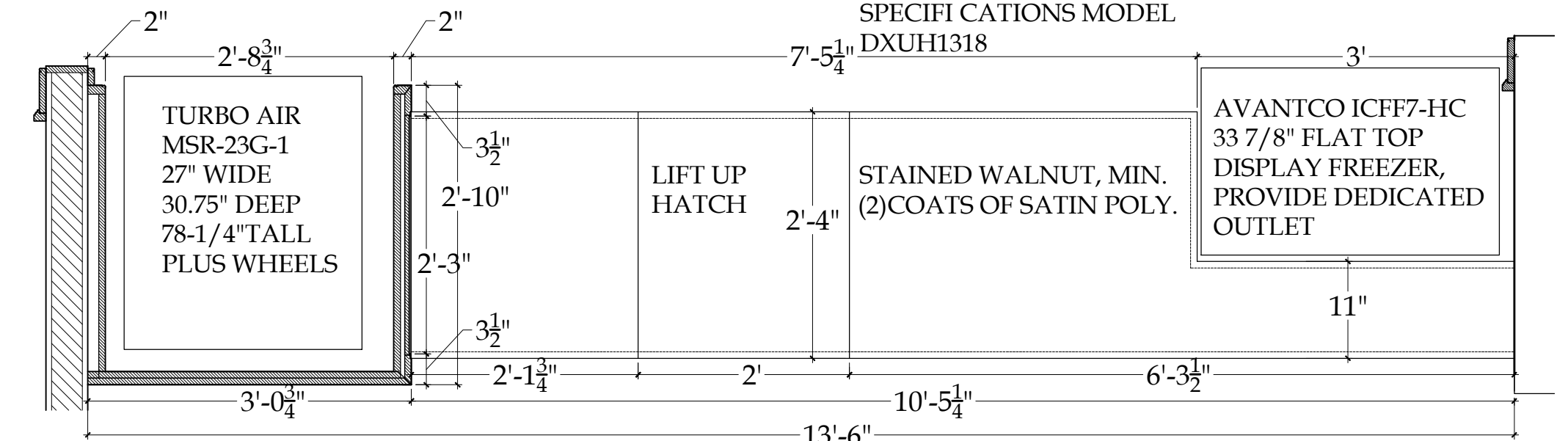
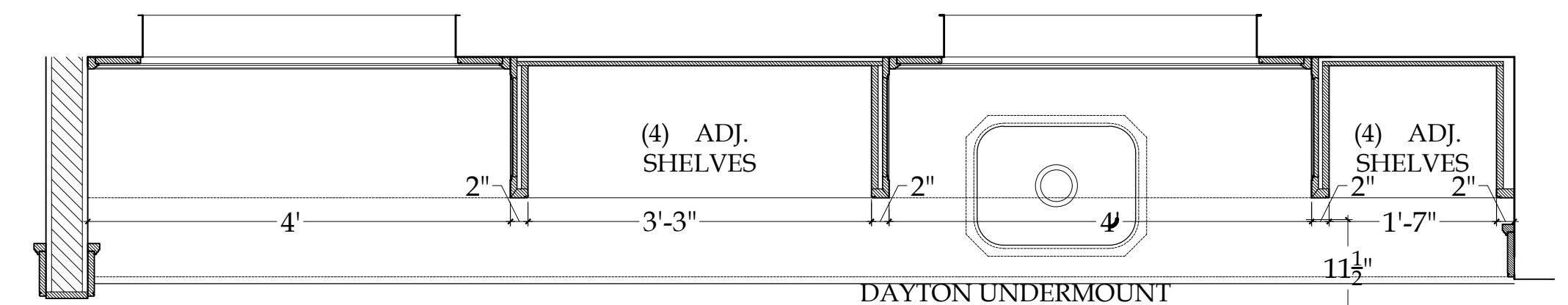
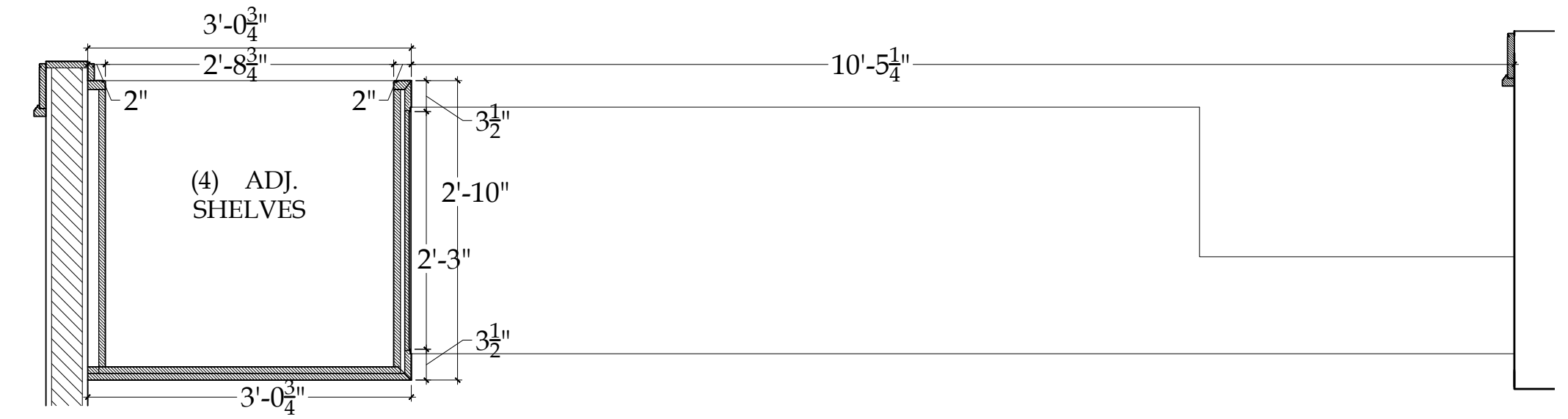
2  
1-1.7  
GENERAL STORE:  
SOUTH ELEVATION  
Scale: 3/4"=1'-0"



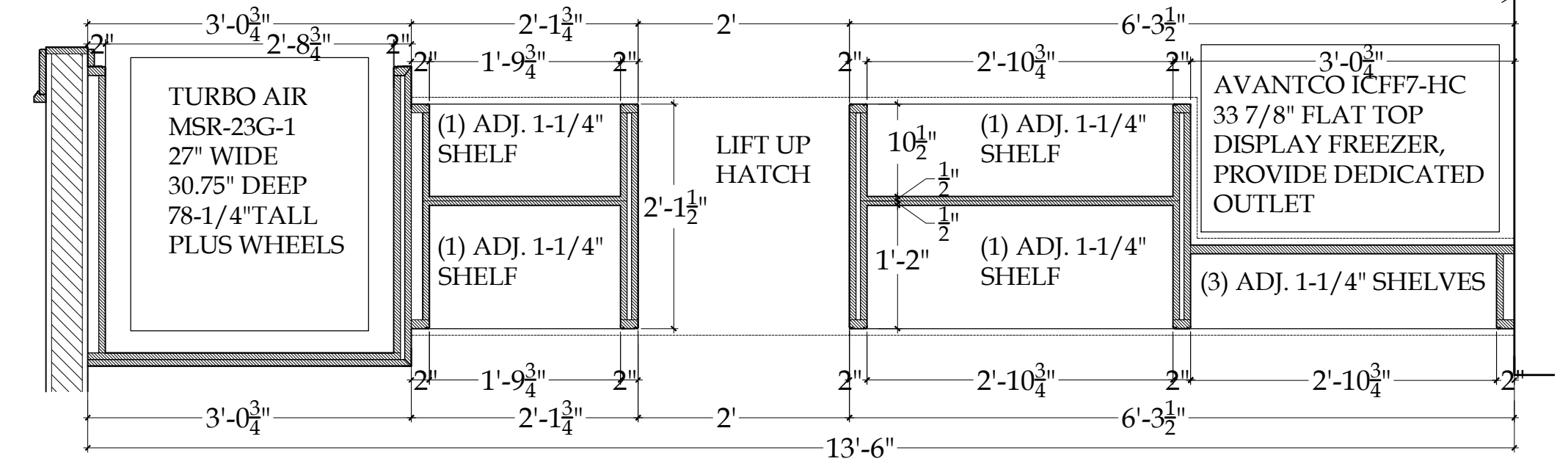
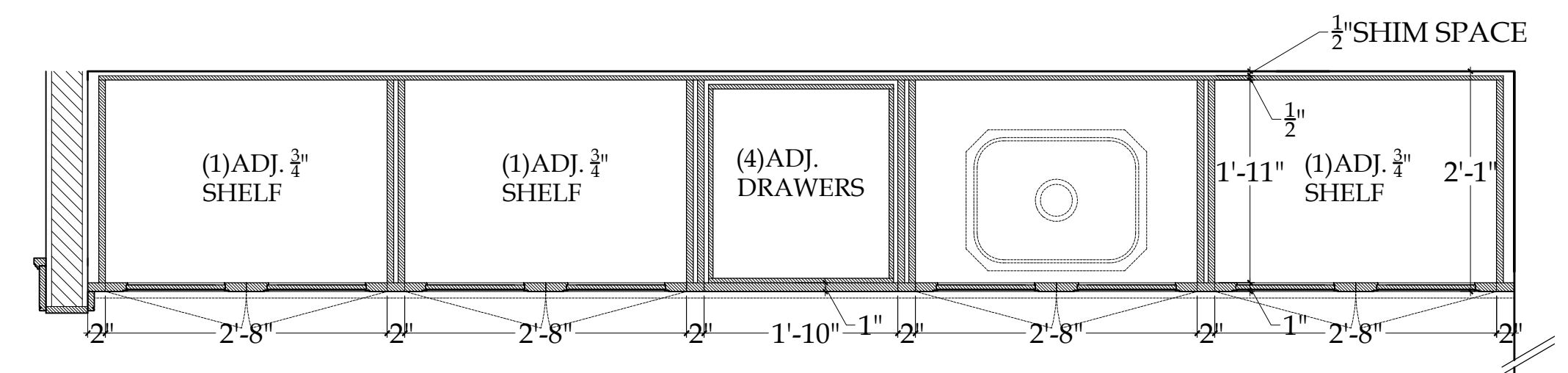
3  
1-1.7  
GENERAL STORE:  
DOOR & WINDOW CASING  
Scale: 3/4"=1'-0"



4  
1-1.7  
GENERAL STORE:  
UPPER CABINETRY PLAN  
Scale: 3/4"=1'-0"



5  
1-1.7  
GENERAL STORE:  
COUNTER CABINETRY PLAN  
Scale: 3/4"=1'-0"



6  
1-1.7  
GENERAL STORE:  
LOWER CABINETRY PLAN  
Scale: 3/4"=1'-0"

86 PONDFIELD ROAD WEST, BRONXVILLE, NEW YORK 10708

DIAMOND COVE GENERAL STORE  
GENERAL STORE INTERIOR ELEV.  
& CABINETRY DETAILS

REGISTERED ARCHITECT  
GLENN LORING HARRICK, JR.  
STATE OF MAINE

MRS. ALEXANDRA WIGHT  
GENERAL STORE, GREAT DIAMOND ISLAND  
PORTLAND, MAINE 04109

DATE: 1/24/18  
SCALE: 3/4"=1'-0"  
SHEET NO: 11.7